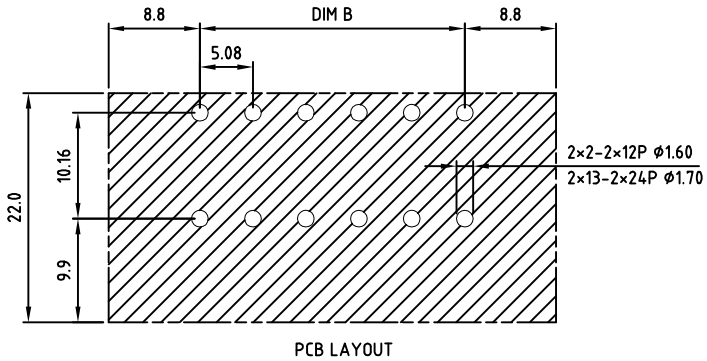
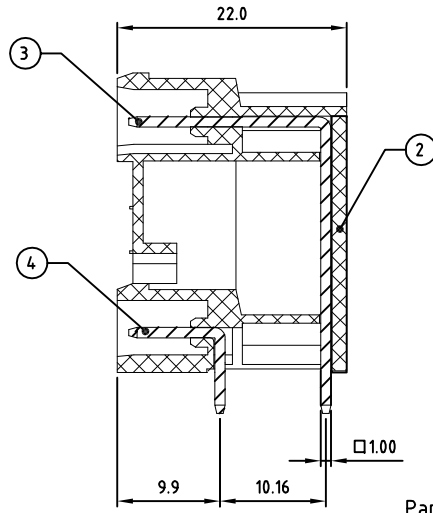
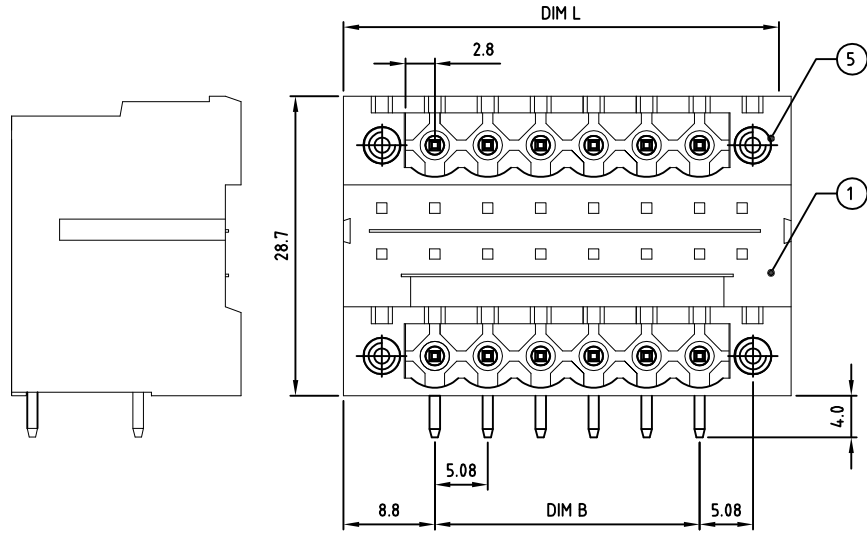


Transfer or duplication of this document as well as the utilisation or communication of its content are not permitted unless express consent is granted. Violations give rise to claims for damages. All rights reserved in case of patent, utility model or design patent registrations.



**Technical data**

1. Nominal voltage: 300V/15A  
PITCH: 5.08mm
2. Insulation Withstanding Voltage:  
AC 1600V/MIN
3. Insulation Resistance:  
1000M $\Omega$  or more at DC500V
4. Operating temperature range: -40°C ~ 115°C  
Soldering temperature: 250°C  $\pm$  10°C / 5s
5. Safety approval:
6. RoHS Compliance

**7. Undimensioned Tolerances:**

Dim.L=(1/2P+2)x5.08+2.3		
Dim.B=(1/2P-1)x5.08		
P= number of poles 4-48P		
0-30mm	Dim B	Dim L
over 30mm-60mm	$\pm 0.15$	$\pm 0.20$
over 60mm-90mm	$\pm 0.20$	$\pm 0.25$
over 90mm	$\pm 0.25$	$\pm 0.30$
	$\pm 0.30$	$\pm 0.40$

Part No.:

**OSTVLXX5251**

- |              |                     |
|--------------|---------------------|
| No. of Poles | COLOR               |
| 02 2 Poles   | 0: Black            |
| 03 3 Poles   | 2: Red              |
| ...          | 3: Orange           |
| 24 24 Poles  | 4: Yellow           |
|              | 5: Green (Standard) |
|              | 6: Blue             |
|              | 8: Grey             |
- Nonstandard colors  
Mins could apply

5	FLANGE NUT	BRASS		4	
4	Short PIN	COPPER	TIN PLATED	1/2P	
3	Long PIN	COPPER	TIN PLATED	1/2P	
2	COVER	PA66 UL94V-0		1	
1	BODY	PA66 UL94V-0		1	
ITEM	NAME OF PART	MATERIAL	NOTES	Q'TY	
DWG	Marvin Zhang	DATE 2017.12.08	UNITS: MM	SHEET: 1 OF 1	Tolerance
CHK	Marvin Zhang	DATE 2017.12.08	SCALE: NONE 2:1 (:)	REV: A	X. $\pm 0.50$
APP.		DATE	TITLE: OSTVL5.08 Series W/F type Right-Angle (90D)		X.X $\pm 0.30$
			PART NO. OSTVLXX5251		X* $\pm 1^{\circ}$
			DWG NO. OSTVLXX5251.dwg		

SIGN	DESCRIPTION	CHK.	DATE



ON-SHORE TECHNOLOGY, INC.