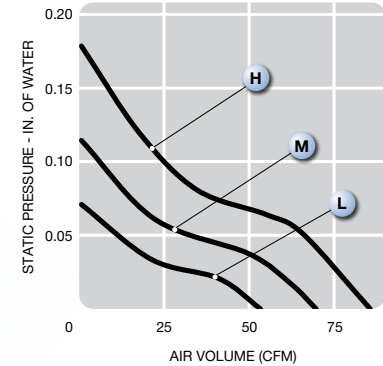
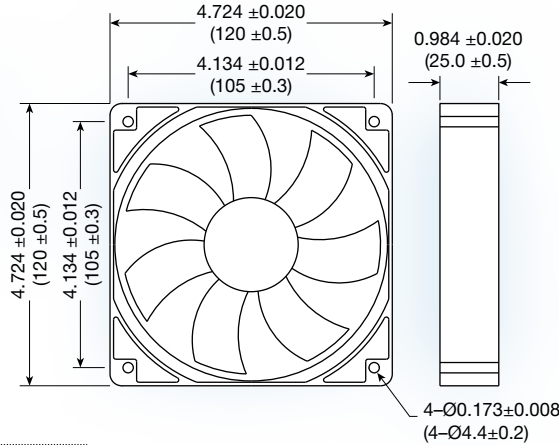


MS1225-H series



(120 x 120 x 25 mm)

4.72 x 4.72 x 1.00 inches

Features: soft start, polarity protection, auto-restart

Operating Voltage: 12 and 24 VDC

Construction: UL94V-0 plastic impeller and plastic frame

Bearing option: ball bearing

Air Flow: air exhaust over struts

Options:

- tachometer;
- locked rotor alarm signal;
- PWM speed control;
- conformal coating;
- encapsulated motor (IP68)



Model No.	Rated Voltage VDC	Current A		Speed RPM	Air Volume		Max. Static Pressure (H ₂ O)		Sound Noise dba	Weight g
		12	24		M ³ /Min.	CFM	MM	INCH		
MS1225L-H	12	0.07	-	1,500	1.51	53	1.81	0.07	26	121
MS1225M-H	12/24	0.11	0.06	2,000	1.97	70	2.97	0.11	33	121
MS1225H-H	12/24	0.65	0.14	2,500	2.27	80	4.00	0.16	41	121

*Additional performance levels available, contact Mechatronics for more options