

Customer Information Sheet

DRAWING No.: M40-320XX45R

IF IN DOUBT - ASK



NOT TO SCALE

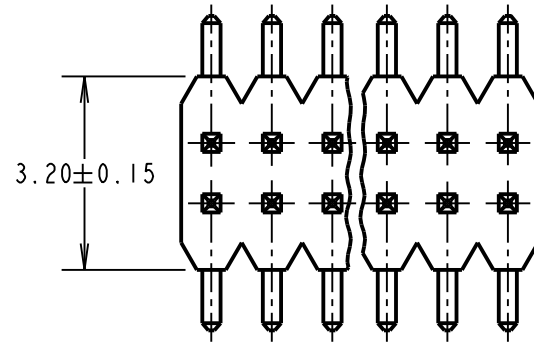
THIRD ANGLE PROJECTION

ALL DIMENSIONS IN mm

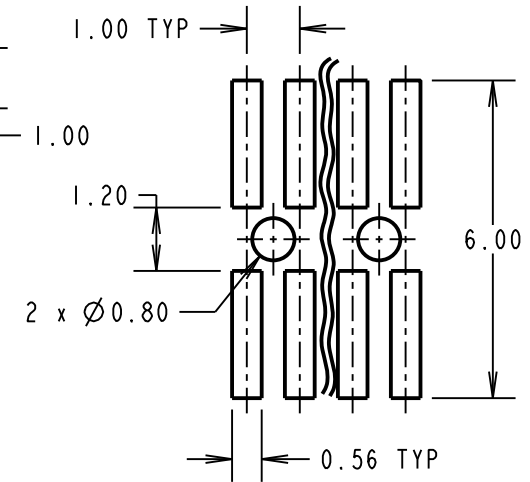
SPECIFICATIONS:

MATERIAL:
 HOUSING = GLASS FILLED PA9T,
 UL94V-0, BLACK
CONTACTS = BRASS
FINISH:
 45 = GOLD FLASH OVER NICKEL
 FOR COMPLETE SPECIFICATION, SEE COMPONENT
 SPECIFICATION C026XX (LATEST ISSUE)

ORDER CODE:
M40-320XX45R
 No. OF CONTACTS PER ROW
 03, 04, 05, 06, 08, 10, 20
 25

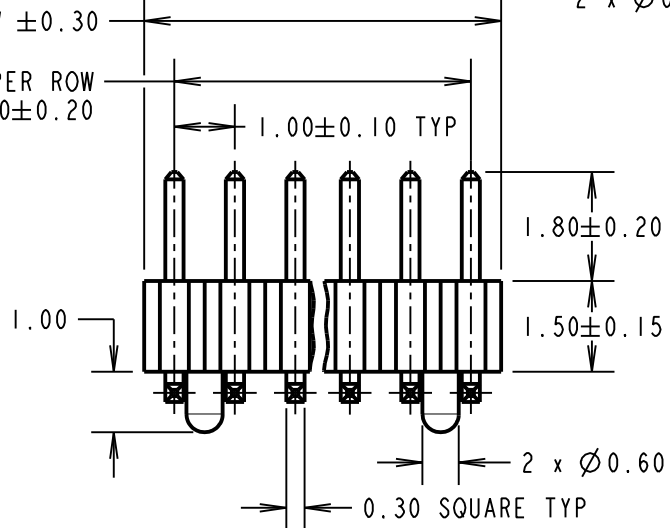
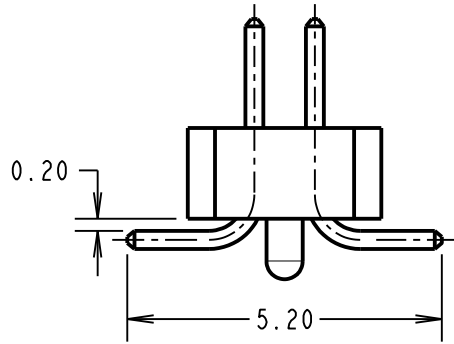


RECOMMENDED PCB LAYOUT
 TOLERANCE ±0.05mm



No. OF CONTACTS PER ROW ±0.30

No. OF CONTACTS PER ROW
 - 1.00 ± 0.20



- NOTES:**
1. ALL TOLERANCES ARE ±0.25 UNLESS OTHERWISE STATED.
 2. CAP REMOVED FROM MAIN VIEWS FOR CLARITY, PART COMES FITTED WITH CAP. SEE SHEET 4 FOR CAP DETAILS.

MGP	4	13.01.22	31219
NAME	ISS.	DATE	CN/CO
APPROVED: MGP			
CHECKED: RA			
DRAWN: R. ADDE			
CUSTOMER REF.:			
ASSEMBLY DRG:			



www.harwin.com
 technical@harwin.com

THIS DRAWING AND ANY INFORMATION OR DESCRIPTIVE MATTER SET OUT HEREON ARE CONFIDENTIAL AND COPYRIGHT PROPERTY OF THE HARWIN GROUP AND MUST NOT BE DISCLOSED, LOANED, COPIED OR USED FOR MANUFACTURING, TENDERING OR FOR ANY OTHER PURPOSE WITHOUT THEIR WRITTEN PERMISSION.

TOLERANCES
~~Y = ±1mm~~
~~X.X = ±0.50mm~~
~~X.XX = ±0.20mm~~
~~X.XXX = ±0.1mm~~
 ANGLES = ±5°
 UNLESS STATED

MATERIAL:
 SEE ABOVE
FINISH: SEE ABOVE
S/AREA: mm²

TITLE: 1.00mm PITCH DIL
 SMT PIN HEADER ASSEMBLY
 (TAPE & REEL)
DRAWING NUMBER:
M40-320XX45R
 SHT 3 OF 4

Customer Information Sheet

DRAWING No.: M40-320XX45R

IF IN DOUBT - ASK

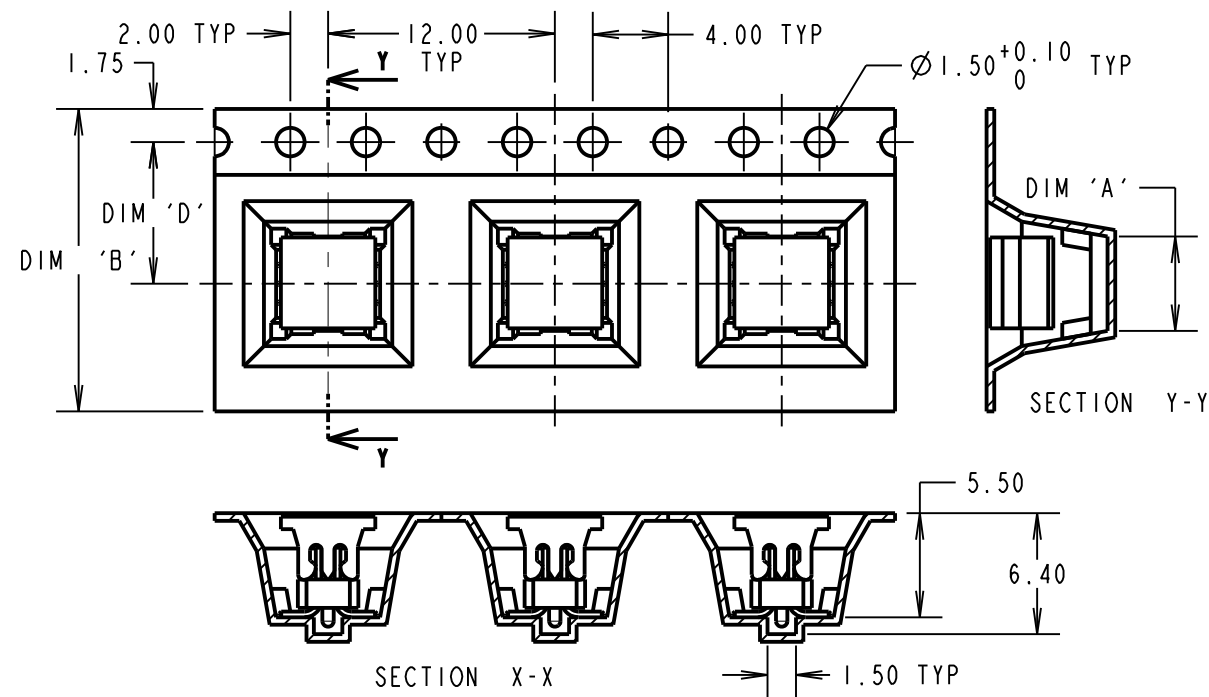
©

NOT TO SCALE

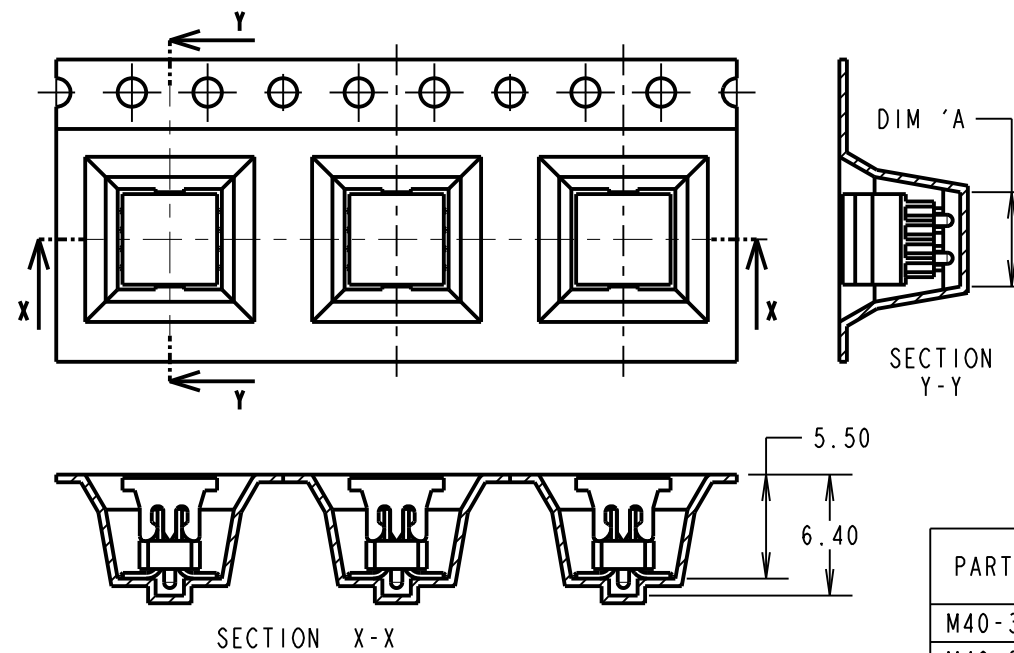
THIRD ANGLE PROJECTION

ALL DIMENSIONS IN mm

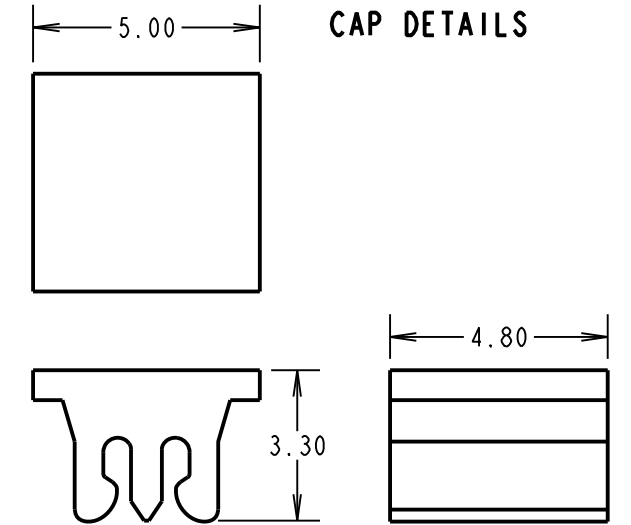
3 CONTACT PER ROW STYLE



4 TO 10 CONTACT PER ROW STYLE

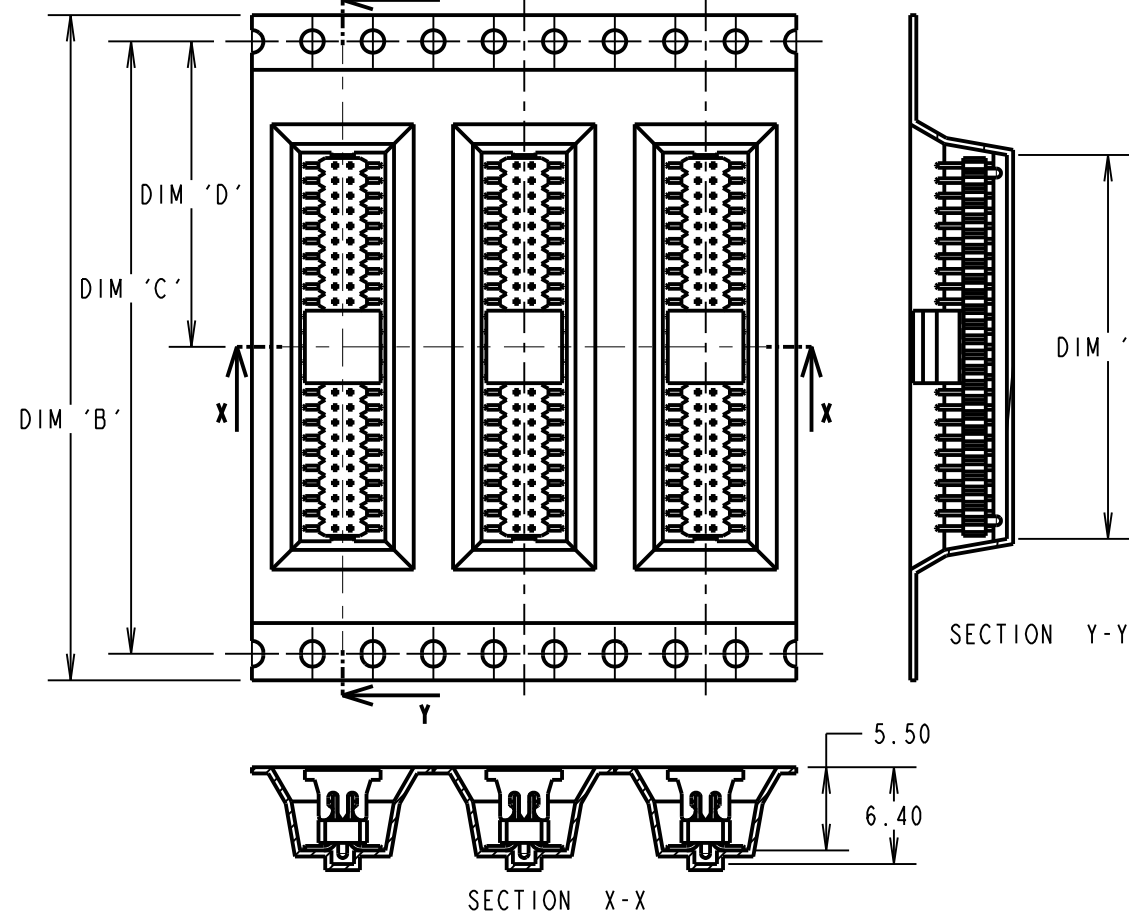


CAP DETAILS

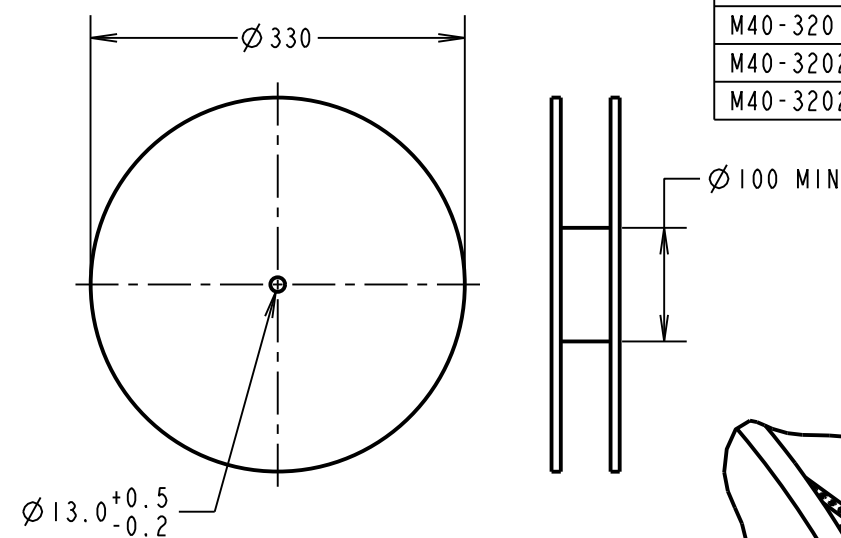


PART NUMBER	DIM 'A'	DIM 'B'	DIM 'C'	DIM 'D'
M40-3200345R	5.00	16.00±0.30	X	7.50±0.10
M40-3200445R	5.00			
M40-3200545R	5.40			
M40-3200645R	6.40	24.00±0.30	X	11.50±0.10
M40-3200845R	8.40			
M40-3201045R	10.40	44.00±0.30	40.40	20.20±0.15
M40-3202045R	20.40			
M40-3202545R	25.40			

20 & 25 CONTACT PER ROW STYLE



REEL DETAILS

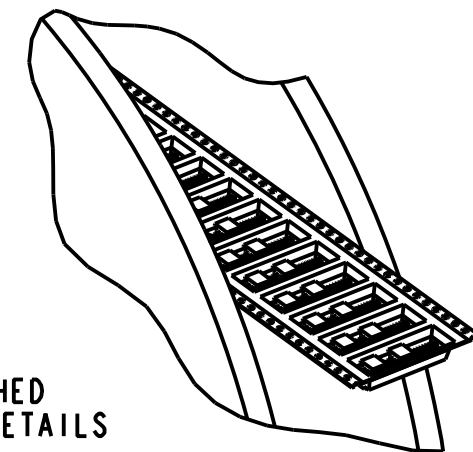


ORDER CODE:

M40-320XX45R

No. OF CONTACTS PER ROW
03, 04, 05, 06, 08, 10, 20
25

FINISHED REELING DETAILS



NOTES:

- FOR CONNECTOR DIMENSIONS, SEE SHEET 3.
- TAPE & REEL TO BE IN ACCORDANCE WITH EIA-481 (ELECTRONIC INDUSTRIES ASSOCIATION).
- PICK & PLACE CAP IS THE SAME FOR ALL SIZES.
- QUANTITY PER REEL FOR ALL SIZES = 800.
- TAPE THICKNESS FOR ALL WAYS IS 0.40 ± 0.10 .

HARWIN

www.harwin.com
technical@harwin.com

THIS DRAWING AND ANY INFORMATION OR DESCRIPTIVE MATTER SET OUT HEREON ARE CONFIDENTIAL AND COPYRIGHT PROPERTY OF THE HARWIN GROUP AND MUST NOT BE DISCLOSED, LOANED, COPIED OR USED FOR MANUFACTURING, TENDERING OR FOR ANY OTHER PURPOSE WITHOUT THEIR WRITTEN PERMISSION.

TOLERANCES
X. = ±1mm
X.X = ±0.50mm
X.XX = ±0.20mm
X.XXX = ±0.01mm
ANGLES = ±5°
UNLESS STATED

MATERIAL:
SEE SHEET 3
FINISH: SEE SHEET 3
S/AREA: mm²

TITLE: 1.00mm PITCH DIL
SMT PIN HEADER ASSEMBLY
(TAPE & REEL)

DRAWING NUMBER:
M40-320XX45R

SHT
4 OF 4

MGP	4	13.01.22	31219
NAME	ISS.	DATE	CN/CO
APPROVED: MGP			
CHECKED: RA			
DRAWN: R.ADDE			
CUSTOMER REF.:			
ASSEMBLY DRG:			