

T SERIES
IP 68 PUSH-PULL CONNECTORS



T series

T series connectors have been specifically designed for outdoor applications. They include an inner sleeve and seals to prevent penetration of solids or liquids. This series is watertight when mated to give a protection index of IP68 as per IEC 60529 standard and have the following main features:

- IP68 mated
- Push-Pull self-latching system
- Mechanical key (FGG) with multiple keys to avoid cross-mating
- High packing density for space savings
- 360° shielding for full EMC shielding
- Compatible with existing B sockets
- Same mounting hole as B sockets
- Black-chrome plated brass and plastic outershell available
- Multipole types 2 to 32 contacts
- For cables 1.0 up to 10.5 mm
- Solder, crimp or print contacts

Technical Characteristics

Mechanical and Climatical	Value	Standard
Endurance	> 3000 cycles	IEC 60512-5 test 9a
Humidity	up to 95% at 60°C	–
Temperature range	-55°C, +200°C / (-20°C, +80°C) ¹⁾	–
Resistance to vibration	10-2000 Hz, 15 g	IEC 60512-4 test 6d
Shock resistance	100 g, 6 ms	IEC 60512-4 test 6c
Salt spray corrosion test	> 1000 h	IEC 60512-6 test 11f
Protection index (mated) ²⁾	IP68/IP66	IEC 60529
Latching retention force (average value)	From 85 N up to 300 N (depending of the size)	–
Climatical category	50/175/21	IEC 60068-1

Electrical	Value	Standard
Shielding efficiency	> 75 dB at 10 MHz / > 40 dB at 1 GHz	IEC 60169-1-3

Material and Treatments

Outershell and collet nut		Latch sleeve/earthing crown		Other metallic components	
Material	Surface treatment	Material	Surface treatment	Material	Surface treatment
Brass	Chrome	Brass/Bronze	Nickel	Brass	Nickel
Brass	Black chrome ³⁾	Brass/Bronze	Nickel	Brass	Nickel
POM	–	Brass/Bronze	Nickel	Brass	Nickel

Contacts

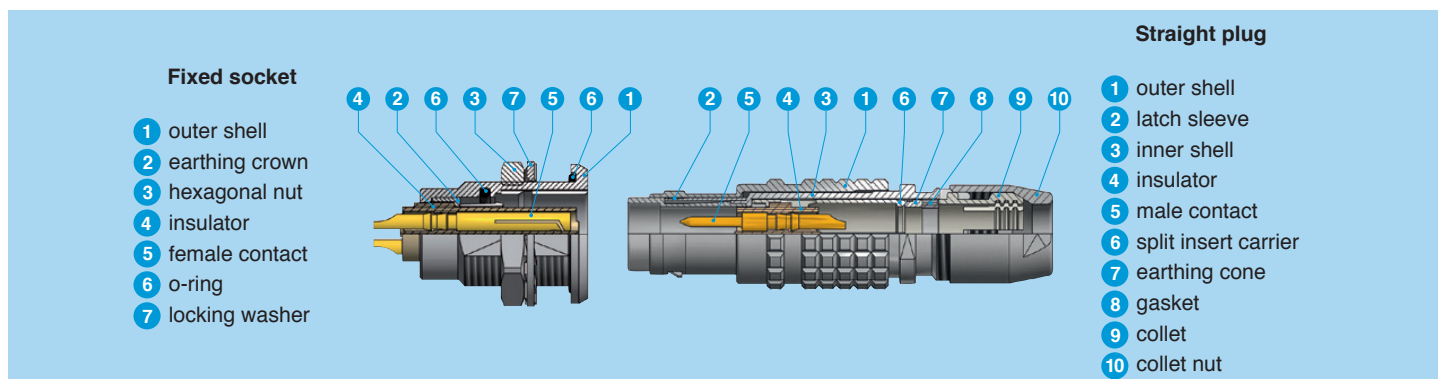
Material	Contact type
Brass (UNS C 34500)	Male contact
Bronze (UNS C 54400)	Female contact

Insulators

Material
PEEK

Note: ¹⁾ operating temperature is -20°C, +80°C for watertight or vacuumtight models fitted with an FPM (Viton®) o-ring and Epoxy. ²⁾ IP68 achieved providing that the cable is perfectly circular and that assembly process ensures a high integrity seal. ³⁾ Surface not conductive use socket with earthing tag (HMG).

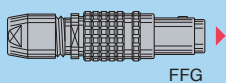
Part Section Showing Internal Components



Interconnections

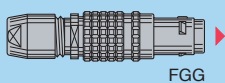
Chrome-plated housing models (page 2)

Straight plug



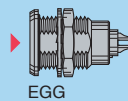
FFG

Straight plugs



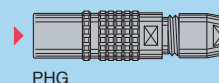
FGG

Fixed sockets



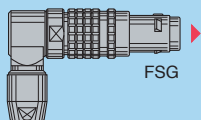
EGG

Free sockets

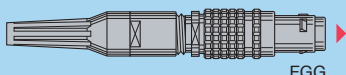


PHG

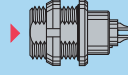
Elbow plug



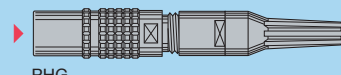
FSG



FGG



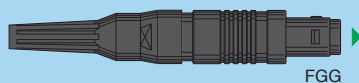
EEG



PHG

Plastic housing models (page 5)

Straight plug



FGG

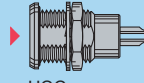
Fixed socket



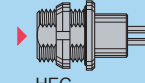
EGG

Watertight or vacuumtight models (page 4)

Fixed sockets



HGG



HEG



HMG

Part Numbering System

Plug and free socket

F G G . 1 T . 3 0 6 . C L A C 4 0 Z

Variant

Cable ø (page 9)

Collet type (page 9)

Contact:
A = male solder
L = female solder
C = male crimp
M = female crimp

Insulator: PEEK
L = for solder contact
Y = for crimp contact

Model (page 2)

Alignment key (page 5)

Series

Insert configuration (page 6)

Housing:
C = Chrome plated brass
K = Black Chrome plated brass
B = POM (black)

FGG.1T.306.CLAC40Z = Straight plug with key (G) and cable collet for bend relief, 1T series, multipole type with 6 contacts, outer shell in chrome-plated brass, PEEK insulator, male solder contacts, C type collet for 4.0 mm diameter cable and nut for fitting a bend relief.

Fixed socket

E G G . 1 T . 3 0 6 . C L L

Variant

Contact:
L = female solder
A = male solder
M = female crimp
C = male crimp
N = female print
D = male print
V = female elbow print

Insulator: PEEK
L = for solder or print contact
Y = for crimp contact

Model (page 3)

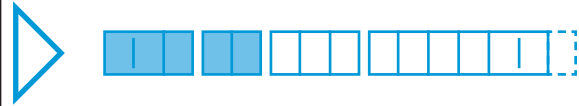
Alignment key (page 5)

Series

Insert configuration (page 6)

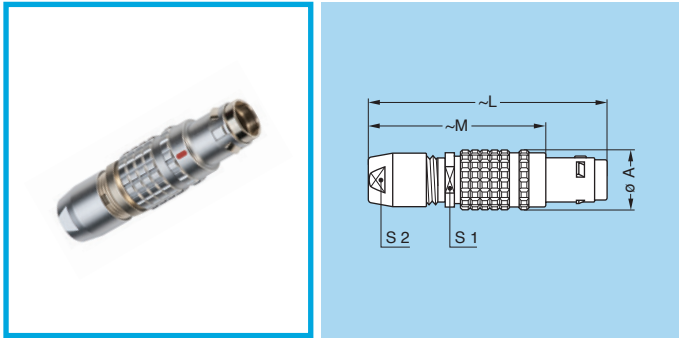
Housing:
C = Chrome plated brass
K = Black Chrome plated brass
B = POM

EGG.1T.306.CLL = fixed socket, nut fixing, with key (G), 1T series, multipole type with 6 contacts, outer shell in chrome-plated brass, PEEK insulator, female solder contacts.



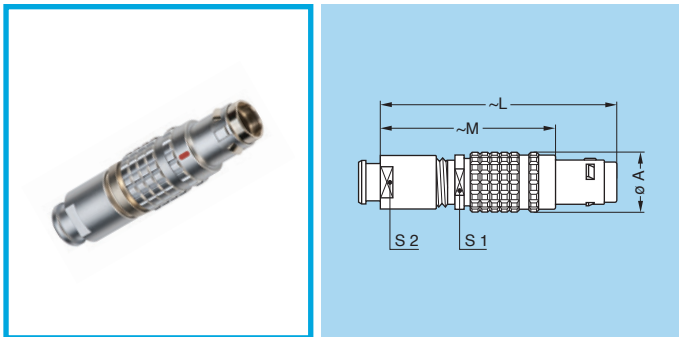
Chrome-plated housing models

FGG Straight plug, cable collet



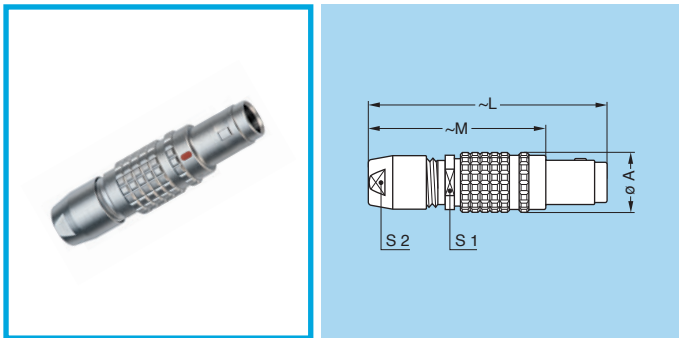
Reference		Dimensions (mm)					Cable ϕ	
Model	Series	A	L	M	S1	S2	min.	max.
FGG	TT	7.0	33.2	25.2	5.5	5	2.4	3.0
FGG	0T	9.5	39.0	29.0	7.5	7	1.0	5.0
FGG	1T	12.0	46.0	35.0	11.0	9	1.3	6.5
FGG	2T	15.0	55.0	43.0	14.0	12	1.3	8.5
FGG	3T	18.8	64.0	49.0	16.0	14	2.6	10.5

FGG Straight plug, cable collet and nut for fitting a bend relief



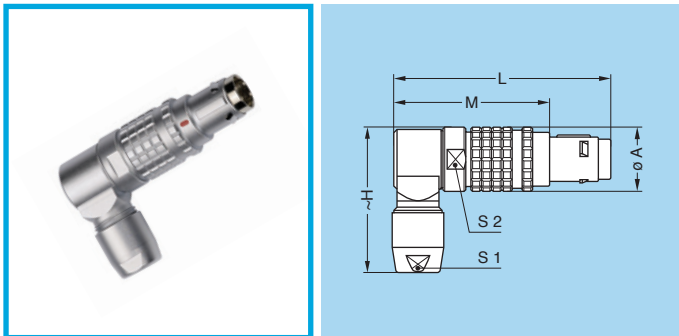
Reference		Dimensions (mm)					Cable ϕ	
Model	Series	A	L	M	S1	S2	min.	max.
FGG	TT	7.0	32.7	24.7	5.5	6	2.4	3.0
FGG	0T	9.5	38.0	28.0	7.5	7	1.0	5.0
FGG	1T	12.0	45.0	34.0	11.0	9	1.3	6.5
FGG	2T	15.0	54.0	42.0	14.0	12	1.3	8.5
FGG	3T	18.8	62.0	47.0	16.0	15	2.6	10.5

FFG Straight plug, non latching, cable collet



Reference		Dimensions (mm)					Cable ϕ	
Model	Series	A	L	M	S1	S2	min.	max.
FFG	TT	7.0	33.2	25.2	5.5	5	2.4	3.0
FFG	0T	9.5	39.0	29.0	8.0	7	1.0	5.0
FFG	1T	12.0	46.0	35.0	10.0	9	1.3	6.5
FFG	2T	15.0	55.0	43.0	13.0	12	1.3	8.5
FFG	3T	18.8	64.0	49.0	16.0	14	2.6	10.5

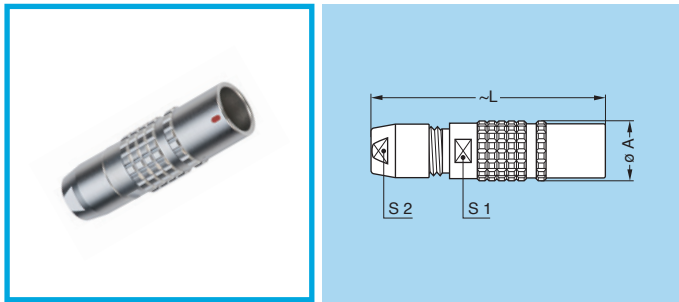
FSG Adjustable right angle plug



Reference		Dimensions (mm)						Cable ϕ	
Model	Series	A	H	L	M	S1	S2	min.	max.
FSG	TT	8	20.0	28.5	20.5	5	7.5	2.4	3.0
FSG	0T	10	23.0	36.0	26.0	7	9.5	1.0	5.0
FSG	1T	13	30.0	43.5	32.5	9	12.0	1.3	6.5
FSG	2T	17	37.5	54.0	42.0	12	16.0	1.3	8.5

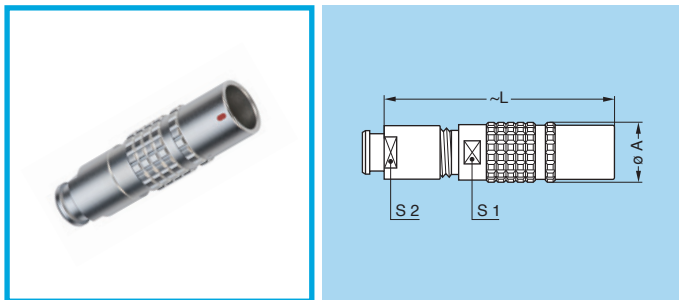


PHG Free socket, cable collet



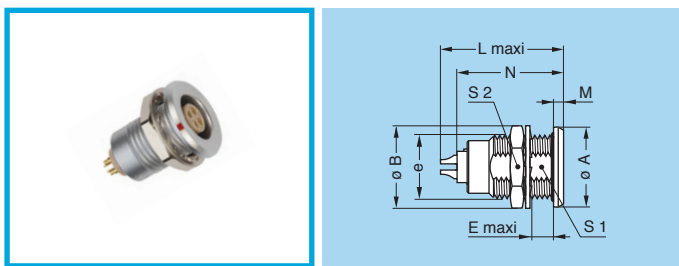
Reference		Dimensions (mm)				Cable ø	
Model	Series	A	L	S1	S2	min.	max.
PHG	TT	7.0	32.0	5.5	5	2.4	3.0
PHG	0T	9.5	38.0	8.0	7	1.0	5.0
PHG	1T	12.0	43.5	10.0	9	1.3	6.5
PHG	2T	15.0	52.0	14.0	12	1.3	8.5
PHG	3T	18.8	61.5	16.0	14	2.6	10.5

PHG Free socket, cable collet and nut for fitting a bend relief



Reference		Dimensions (mm)				Cable ø	
Model	Series	A	L	S1	S2	min.	max.
PHG	TT	7.0	31.5	5.5	6	2.4	3.0
PHG	0T	9.5	37.0	8.0	7	1.0	5.0
PHG	1T	12.0	42.5	10.0	9	1.3	6.5
PHG	2T	15.0	51.0	14.0	12	1.3	8.5
PHG	3T	18.8	60.0	16.0	15	2.6	10.5

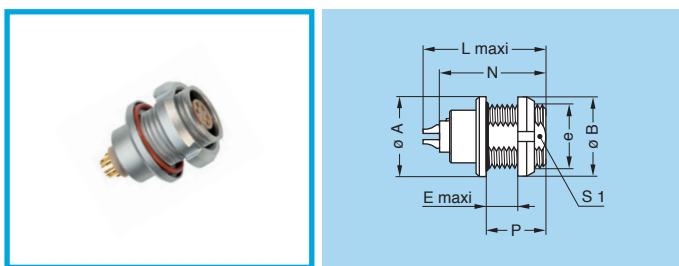
EGG Fixed socket, nut fixing



Reference		Dimensions (mm)								
Model	Series	A	B	e	E	L	M	N ¹⁾	S1	S2
EGG	TT	10.0	10.2	M7x0.5	5.5	16.0	1.2	13.5	6.3	9
EGG	0T	12.0	12.5	M9x0.6	6.0	21.0	1.5	19.1	8.2	11
EGG	1T	15.5	16.0	M12x1.0	6.0	23.0	1.8	21.5	10.5	14
EGG	2T	18.5	19.6	M15x1.0	7.5	26.5	1.8	24.6	13.5	17
EGG	3T	23.5	25.1	M18x1.0	9.6	30.1	2.5	25.0	16.5	22

Note: ¹⁾ maximum length with crimp contacts.

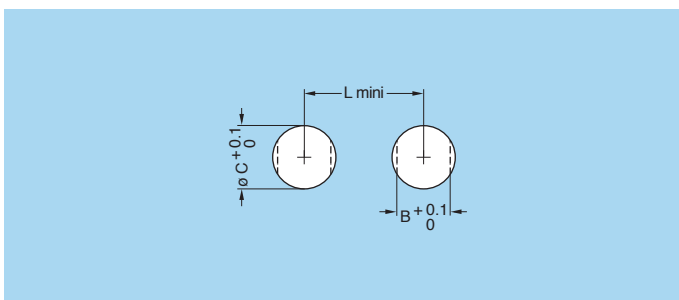
EEG Fixed socket, nut fixing, back panel mounting



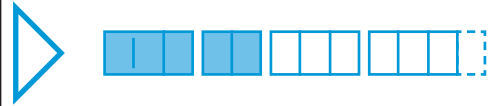
Reference		Dimensions (mm)								
Model	Series	A	B	e	E	L	N ¹⁾	P	S1	
EEG	TT	10.0	10.0	M7x0.5	4.5	16.0	13.5	7	6.3	
EEG	0T	12.0	12.0	M9x0.6	6.5	21.0	19.1	9	8.2	
EEG	1T	15.5	16.0	M12x1.0	6.5	23.0	21.5	10	10.5	
EEG	2T	18.5	20.0	M15x1.0	7.5	26.5	24.6	11	13.5	
EEG	3T	23.5	24.0	M18x1.0	7.5	30.1	25.0	12	16.5	

Note: ¹⁾ maximum length with crimp contacts.

Panel cut-out



Reference		Panel cut-out			Mounting nut torque	
Model	Series	B	C	L	Metal shell	Plastic shell
E●●	TT	6.4	7.1	12.5	1.0	0.4
E●●	0T	8.3	9.1	14.5	2.5	0.4
E●●	1T	10.6	12.1	18.5	4.5	0.7
E●●	2T	13.6	15.1	22.5	6.0	0.8
E●●	3T	16.6	18.1	27.0	9.0	1.0



Watertight or vacuumtight models

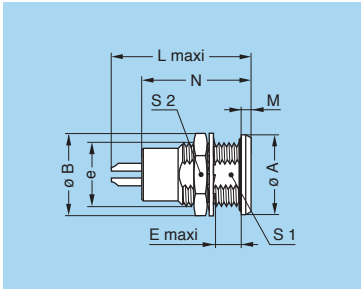
These models are identified by a letter «P» at the end of the reference. Most of these models are also available in a vacuum-tight version. Such models are identified by an additional letter «V» at the end of the part number (certificate on request). Epoxy resin is used to seal these models. The temperature range is -20°C / +80°C.

Part Number Example

HGG.0T.305.CLLP (5 contacts, resin potted)

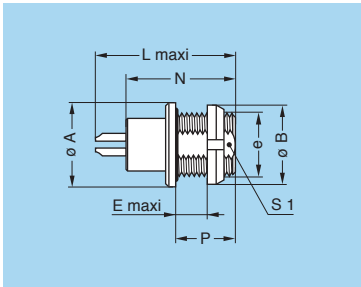
HGG.0T.305.CLLPV (5 contacts, resin potted and vacuumtight tested)

HGG Fixed socket, nut fixing, watertight or vacuumtight



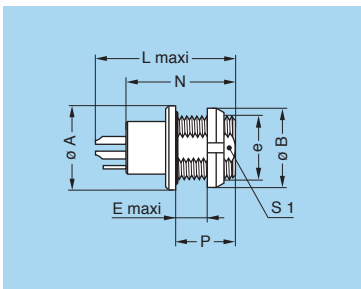
Reference		Dimensions (mm)								
Model	Series	A	B	e	E	L	M	N ¹⁾	S1	S2
HGG	TT	10.0	10.2	M7x0.5	5.5	18.0	1.2	15.0	6.3	9
HGG	0T	12.0	12.5	M9x0.6	6.5	22.0	1.5	18.5	8.2	11
HGG	1T	15.5	16.0	M12x1.0	6.0	26.0	1.8	21.5	10.5	14
HGG	2T	18.5	19.6	M15x1.0	8.0	30.5	1.8	25.0	13.5	17

HEG Fixed socket, nut fixing, watertight or vacuumtight, back panel mounting



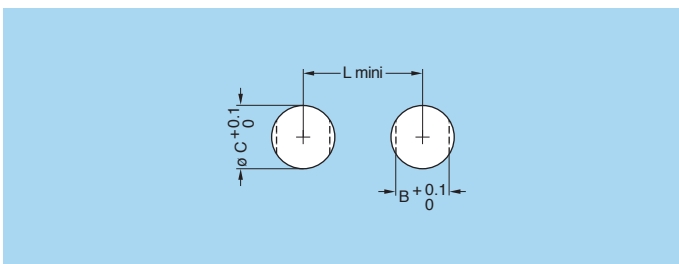
Reference		Dimensions (mm)							
Model	Series	A	B	e	E	L	N	P	S1
HEG	TT	10.0	10.0	M7x0.5	4.5	18.0	15.0	7	6.3
HEG	0T	12.0	12.0	M9x0.6	6.5	22.0	18.5	9	8.2
HEG	1T	15.5	16.0	M12x1.0	6.5	26.0	21.5	10	10.5
HEG	2T	18.5	20.0	M15x1.0	7.5	30.5	25.0	11	13.5

HMG Fixed socket with earthing tag, nut fixing, watertight or vacuumtight, back panel mounting



Reference		Dimensions (mm)							
Model	Series	A	B	e	E	L	N	P	S1
HMG	TT	10.0	10.0	M7x0.5	4.5	18.0	15.0	7	6.3
HMG	0T	12.0	12.0	M9x0.6	6.5	22.0	18.5	9	8.2
HMG	1T	15.5	16.0	M12x1.0	6.5	26.0	21.5	10	10.5
HMG	2T	18.5	20.0	M15x1.0	7.5	30.5	25.0	11	13.5

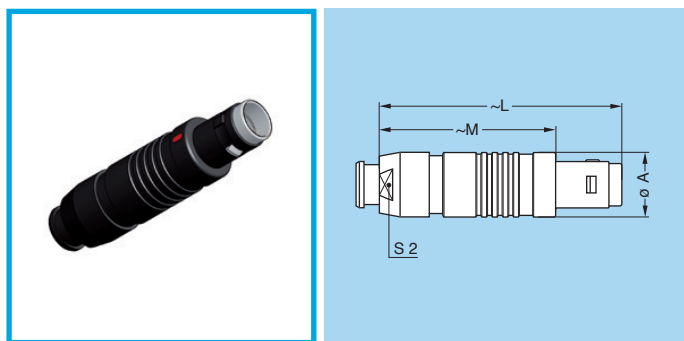
Panel cut-out



Reference		Panel cut-out			Mounting nut torque	
Model	Series	B	C	L	Metal shell	Plastic shell
H●●	TT	6.4	7.1	12.5	1.0	0.4
H●●	0T	8.3	9.1	14.5	2.5	0.4
H●●	1T	10.6	12.1	18.5	4.5	0.7
H●●	2T	13.6	15.1	22.5	6.0	0.8

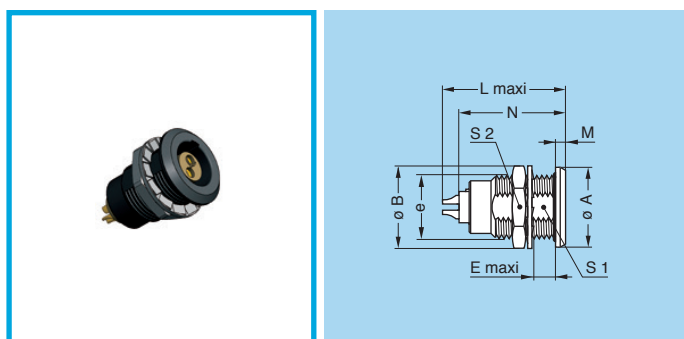
Plastic housing models

FGG Straight plug, cable collet and nut for fitting a bend relief, POM outer shell



Reference		Dimensions (mm)				Cable ϕ	
Model	Series	A	L	M	S2	min.	max.
FGG	0T	9.7	38.5	28.5	8	1.0	5.0
FGG	1T	13.0	45.0	34.0	10	1.3	6.5

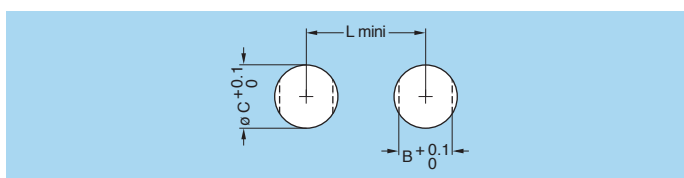
EGG Fixed socket, nut fixing, POM outer shell



Reference		Dimensions (mm)								
Model	Series	A	B	e	E	L	M	N ¹⁾	S1	S2
EGG	0T	12.0	12.5	M9x0.6	6.0	21.0	1.5	19.1	8.2	11
EGG	1T	15.5	16.0	M12x1.0	6.0	23.0	1.8	21.5	10.5	14

Note: ¹⁾ maximum length with crimp contacts.

Panel cut-out



Reference		Panel cut-out		
Model	Series	B	C	L
E●●	0T	8.3	9.1	14.5
E●●	1T	10.6	12.1	18.5

Alignment Key

	Key	Contact type	
		Plug	Socket
	G	male	female
	A	male	female
	D	male	female
	L	female	male
	J	female	male

Insert configurations

Multipole

	Solder contacts		Reference	Series	Contact ø (mm)	Contact type				AWG			Solder contact		Rated current (A)
						Solder	Crimp	Print (straight)	Print (elbow)	Solder (max.)	Crimp		Test voltage (kV rms) Contact-contact	Test voltage (kV rms) Contact-shell	
											min.	max.			
2			302	TT	0.5	●	●	●	●	30	32	28	1.00	0.95	3.5
				0T	0.9	●	●	●	●	20	32	20	1.00	1.05	10.0
				1T	1.3	●	●	●	●	20	26	18	1.50	1.35	15.0
				2T	2.0	●	●	●	●	16	18	12	2.10	1.75	25.0
				3T	3.0	●	●	○	–	12	14	10	2.10	1.55	35.0
3			303	TT	0.5	●	●	●	●	30	32	28	0.80	0.95	3.0
				0T	0.9	●	●	●	●	20	32	20	1.20	0.90	8.0
				1T	1.3	●	●	●	●	20	26	18	1.30	1.55	12.0
				2T	1.6	●	●	●	●	18	22	14	2.40	1.85	17.0
				3T	2.0	●	●	●	○	16	18	12	1.90	1.50	25.0
4			304	TT	0.5	●	●	●	●	30	32	28	0.80	0.65	2.0
				0T	0.7	●	●	●	●	22	32	22	0.85	0.70	7.0
				1T	0.9	●	●	●	●	22	32	20	1.35	1.45	10.0
				2T	1.3	●	●	●	●	20	26	18	1.85	1.85	15.0
				3T	2.0	●	●	●	●	16	18	12	1.45	1.25	19.0
5			305	TT	0.35	●	–	●	–	30	–	–	0.70	1.00	1.7
5						305	0T	0.7	●	●	●	●	22	32	22
1T	0.9	●	●				●	●	22	32	20	1.25	1.15	9.0	
2T	1.3	●	●				●	●	20	26	18	1.75	1.60	14.0	
3T	1.6	●	●				●	○	18	22	14	1.90	1.25	19.0	
6			306	0T	0.5	●	○ ¹⁾	●	●	28	32	28	0.85	0.65	2.5
				1T	0.7	●	●	●	●	22	32	22	1.05	1.20	7.0

Note: ¹⁾ available only for connectors fitted with male contacts.

● First choice alternative ○ Special order alternative



Multipole

			Reference	Series	Contact ø (mm)	Contact type				AWG		Solder contact		Rated current (A)	
						Solder	Crimp	Print (straight)	Print (elbow)	Solder (max.)	Crimp		Test voltage (kV rms) Contact-contact		Test voltage (kV rms) Contact-shell
											min.	max.			
6			306	TT	0.35	●	-	-	-	30	-	-	0.60	0.75	1.5
				2T	1.3	●	●	●	●	20	26	18	1.35	1.45	12.0
				3T	1.6	●	●	●	●	18	22	14	1.60	1.15	17.0
7			307	0T	0.5	●	○ ¹⁾	●	●	28	32	28	0.80	0.70	2.5
				1T	0.7	●	●	●	●	22	32	22	0.95	1.05	7.0
				2T	1.3	●	●	●	●	20	26	18	1.75	1.60	11.0
				3T	1.6	●	●	●	○	18	22	14	1.70	1.25	15.0
8			308	1T	0.7	●	●	●	●	22	32	22	0.95	1.15	5.0
				2T	0.9	●	●	●	●	22	32	20	1.50	1.25	10.0
8			308	3T	1.3	●	●	●	●	20	26	18	1.65	1.15	13.0
				0T	0.5	●	○ ¹⁾	●	●	28	32	28	0.60	0.50	2.0
9			309	3T	8x1.3 1x2.0	●	●	●	-	20 16	26 18	18 12	1.35	1.05	6.0 15.0
				1T	0.5	●	○ ¹⁾	●	●	28	32	28	0.90	1.50	2.5
10			310	2T	0.9	●	●	●	●	22	32	20	1.45	1.30	8.0
				3T	1.3	●	●	●	●	20	26	18	1.25	0.90	12.0
				0T	0.35	●	-	●	-	30	-	-	0.80	1.00	1.5
12			312	2T	0.7	●	●	●	●	22	32	22	1.25	1.35	7.0
				3T	0.9	●	●	●	●	22	32	20	1.45	1.00	9.0
				1T	0.5	●	○ ¹⁾	●	●	28	32	28	0.80	1.20	2.0
14			314	2T	0.7	●	●	●	●	22	32	22	1.15	1.35	6.5
				3T	0.9	●	●	●	●	22	32	20	1.20	1.20	9.0

Note: ¹⁾ available only for connectors fitted with male contacts.

● First choice alternative ○ Special order alternative

Multipole

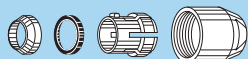
	Solder contacts		Crimp contacts		Reference	Series	Contact ø (mm)	Contact type				AWG			Solder contact		Rated current (A)
								Solder	Crimp	Print (straight)	Print (elbow)	Solder (max.)	Crimp		Test voltage (kV rms) Contact-contact	Test voltage (kV rms) Contact-shell	
													min.	max.			
16			316	1T	0.5	●	● ¹⁾	●	○	28	32	28	0.80	1.25	1.5		
16			316	2T	0.7	●	●	●	●	22	32	22	0.95	1.25	6.0		
					3T	0.9	●	●	●	●	22	32	20	1.20	0.85	8.0	
18			318	2T	0.7	●	●	●	●	22	32	22	0.85	1.20	5.5		
					3T	0.9	●	●	●	●	22	32	20	1.20	1.05	7.0	
19			319	2T	0.7	●	●	●	●	22	32	22	0.95	1.25	5.0		
20			320	3T	0.7	●	●	●	●	22	32	22	1.00	0.90	6.0		
22			322	3T	0.7	●	●	●	○	22	32	22	1.00	0.90	5.5		
24			324	3T	0.7	●	●	●	●	22	32	22	0.95	0.80	4.0		
26			326	2T	0.5	●	–	●	●	28	–	–	0.95	1.30	2.0		
					3T	0.7	●	●	●	●	22	32	22	0.95	0.70	4.0	
30			330	3T	0.7	●	●	●	●	22	32	22	0.80	0.70	3.5		
32			332	2T	0.5	●	–	●	●	28	–	–	0.80	1.20	1.5		

Note: ¹⁾ available only for connectors fitted with male contacts.

● First choice alternative ○ Special order alternative



Collets



	Type	Cable \varnothing (mm)		Note
		min.	max.	
TT	C27	2.4	2.6	
	C31	2.7	3.0	
OT	C10	1.0	1.2	1)
	C15	1.3	1.5	1)
	C20	1.6	2.0	1)
	C25	2.1	2.5	
	C30	2.6	3.0	
	C35	3.1	3.5	
	C40	3.6	4.0	
	C45	4.1	4.5	
	K50	4.6	5.0	2)
	K55	5.1	5.5	2)
	K60	5.6	6.0	2)
1T	C15	1.3	1.5	
	C20	1.6	2.0	
	C25	2.1	2.5	
	C30	2.6	3.0	
	C35	3.1	3.5	
	C40	3.6	4.0	
	C45	4.1	4.5	
	C50	4.6	5.0	
	C55	5.1	5.5	
	C60	5.6	6.0	
	C65	6.1	6.5	
K70	6.6	7.0	3)	
K75	7.1	7.5	3)	
K80	7.6	8.0	3)	
K85	8.1	8.5	3)	

	Type	Cable \varnothing (mm)		Note
		min.	max.	
2T	C15	1.3	1.5	
	C20	1.6	2.0	
	C25	2.1	2.5	
	C30	2.6	3.0	
	C35	3.1	3.5	
	C40	3.6	4.0	
	C45	4.1	4.5	
	C50	4.6	5.0	
	C55	5.1	5.5	
	C60	5.6	6.0	
	C65	6.1	6.5	
	C70	6.6	7.0	
	C75	7.1	7.5	
	C80	7.6	8.0	
	C85	8.1	8.5	
	K90	8.6	9.0	4)
	K95	9.1	9.5	4)
K10	9.6	10.0	4)	
K11	10.1	10.5	4)	

	Type	Cable \varnothing (mm)		Note
		min.	max.	
3T	C30	2.6	3.0	
	C35	3.1	3.5	
	C40	3.6	4.0	
	C45	4.1	4.5	
	C50	4.6	5.0	
	C55	5.1	5.5	
	C60	5.6	6.0	
	C65	6.1	6.5	
	C70	6.6	7.0	
	C75	7.1	7.5	
	C80	7.6	8.0	
	C85	8.1	8.5	
	C90	8.6	9.0	
	C95	9.1	9.5	
	C10	9.6	10.0	
C11	10.1	10.5		
K11	10.6	12.0		
K12	12.1	12.8		
K13	12.9	13.5		
K14	13.6	14.0		
K15	14.1	15.0	5)	

Note: all dimensions are in millimetres.

1) the inner diameter of the smallest bend relief available is 2.5 mm (in TPU) / 1.7 mm (in silicone).

2) for 1B bend relief.

3) for 2B bend relief.

4) for 3B bend relief.

5) the inner diameter of the largest bend relief available is 14.5 mm.

Spare parts for crimp contacts

	Types	Insulator part number		ø (mm)		Fig.	Cond. AWG		Contact part number	
		Male contact	Female contact	A	C		min.	max.	Male	Female
TT	302/303/304	FGG.00.30●.YL	EGG.00.40●.YL	0.5	0.45	1	32	28	FGG.00.554.ZZC	EGG.00.654.ZZM
OT	302/303	FGG.0B.30●.YL	EGG.0B.40●.YL	0.9	1.10	1	24	20	FGG.0B.560.ZZC	EGG.0B.660.ZZM
					0.80	2	26	22	FGG.0B.561.ZZC	EGG.0B.661.ZZM
					0.45	2	32	28	FGG.0B.562.ZZC	EGG.0B.662.ZZM
	304/305	FGG.0B.30●.YL	EGG.0B.40●.YL	0.7	0.80	1	26	22	FGG.0B.555.ZZC	EGG.0B.655.ZZM
					0.45	2	32	28	FGG.0B.556.ZZC	EGG.0B.656.ZZM
306/307/309	FGG.0B.30●.YL	–	0.5	0.45	1	32	28	FGG.0B.554.ZZC	–	
1T	302/303	FGG.1B.30●.YL	EGG.1B.40●.YL	1.3	1.40	1	20	18	FGG.1B.565.ZZC	EGG.1B.665.ZZM
					1.10	2	24	20	FGG.1B.566.ZZC	EGG.1B.666.ZZM
	304/305	FGG.1B.30●.YL	EGG.1B.40●.YL	0.9	1.10	1	24	20	FGG.1B.560.ZZC	EGG.1B.660.ZZM
					0.80	2	26	22	FGG.1B.561.ZZC	EGG.1B.661.ZZM
	306/307/308	FGG.1B.30●.YL	EGG.1B.40●.YL	0.7	0.80	1	26	22	FGG.1B.555.ZZC	EGG.1B.655.ZZM
					0.45	2	32	28	FGG.1B.556.ZZC	EGG.1B.656.ZZM
	310/314/316	FGG.1B.3●●.YL	–	0.5	0.45	1	32	28	FGG.1B.554.ZZC	–
	2T	302	FGG.2B.302.YL	EGG.2B.402.YL	2.0	2.40	1	16	12	FGG.2B.575.ZZC
1.90						2	18	14	FGG.2B.576.ZZC	EGG.2B.676.ZZM
303		FGG.2B.303.YL	EGG.2B.403.YL	1.6	1.90	1	18	14	FGG.2B.570.ZZC	EGG.2B.670.ZZM
					1.40	2	22	18	FGG.2B.571.ZZC	EGG.2B.671.ZZM
304/305 306/307		FGG.2B.30●.YL	EGG.2B.40●.YL	1.3	1.40	1	20	18	FGG.2B.565.ZZC	EGG.2B.665.ZZM
					1.10	2	24	20	FGG.2B.566.ZZC	EGG.2B.666.ZZM
					0.80	2	26	22	FGG.2B.567.ZZC	EGG.2B.667.ZZM
308/310		FGG.2B.3●●.YL	EGG.2B.4●●.YL	0.9	1.10	1	24	20	FGG.2B.560.ZZC	EGG.2B.660.ZZM
					0.80	2	26	22	FGG.2B.561.ZZC	EGG.2B.661.ZZM
					0.45	2	32	28	FGG.2B.562.ZZC	EGG.2B.662.ZZM
312/314/316 318/319		FGG.2B.3●●.YL	EGG.2B.4●●.YL	0.7	0.80	1	26	22	FGG.2B.555.ZZC	EGG.2B.655.ZZM
					0.45	2	32	28	FGG.2B.556.ZZC	EGG.2B.656.ZZM
3T	302	FGG.3B.302.YL	EGG.3B.402.YL	3.0	3.20	1	14	10	FGG.3B.580.ZZC	EGG.3B.680.ZZM
	303/304/309	FGG.3B.30●.YL ¹⁾	EGG.3B.40●.YL ¹⁾	2.0	2.40	1	16	12	FGG.3B.575.ZZC	EGG.3B.675.ZZM
					1.90	2	18	14	FGG.3B.576.ZZC	EGG.3B.676.ZZM
	305/306/307	FGG.3B.30●.YL	EGG.3B.40●.YL	1.6	1.90	1	18	14	FGG.3B.570.ZZC	EGG.3B.670.ZZM
					1.40	2	22	18	FGG.3B.571.ZZC	EGG.3B.671.ZZM
	308/309/310	FGG.3B.3●●.YL ¹⁾	EGG.3B.4●●.YL ¹⁾	1.3	1.40	1	20	18	FGG.3B.565.ZZC	EGG.3B.665.ZZM
					1.10	2	24	20	FGG.3B.566.ZZC	EGG.3B.666.ZZM
	312/314 316/318	FGG.3B.3●●.YL	EGG.3B.4●●.YL	0.9	1.10	1	24	20	FGG.3B.560.ZZC	EGG.3B.660.ZZM
					0.80	2	26	22	FGG.3B.561.ZZC	EGG.3B.661.ZZM
					0.45	2	32	28	FGG.3B.562.ZZC	EGG.3B.662.ZZM
	320/322/324 326/330	FGG.3B.3●●.YL	EGG.3B.4●●.YL	0.7	0.80	1	26	22	FGG.3B.555.ZZC	EGG.3B.655.ZZM
					0.45	2	32	28	FGG.3B.556.ZZC	EGG.3B.656.ZZM

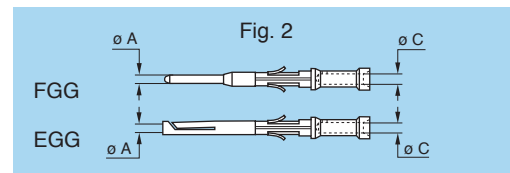
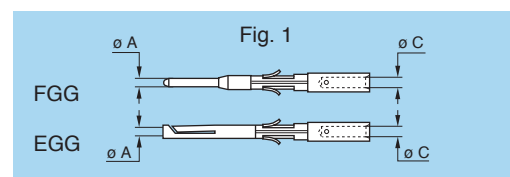
Note: ¹⁾ for 309 type the insulator part number is FGG.3B.309.ML (male contact) and EGG.3B.409.ML (female contact).

Tools for crimp contacts

	Types	Positioners part number		Extractors part number for male/female contacts
		Male contact	Female contact	
TT	302/303/304	DCE.91.050.0VC	DCE.91.050.0VM	DCF.91.050.2LT
OT	302/303	DCE.91.090.BVC	DCE.91.090.BVM	DCF.91.090.2LT
		DCE.91.090.AVC	DCE.91.090.AVM	
	304/305	DCE.91.070.BVC	DCE.91.070.BVM	DCF.92.070.3LT
	306/307/309	DCE.91.050.BVC	DCE.91.050.BVM	DCF.91.050.2LT
1T	302/303	DCE.91.131.BVC	DCE.91.131.BVM	DCF.91.131.2LT
	304/305	DCE.91.091.BVC	DCE.91.091.BVM	DCF.91.090.2LT
	306/307/308	DCE.91.071.BVC	DCE.91.071.BVM	DCF.91.070.2LT
	310/314/316	DCE.91.051.BVC	DCE.91.051.BVM	DCF.91.050.2LT
2T	302	DCE.91.202.BVCM		DCC.91.202.5LA ²⁾
	303	DCE.91.162.BVCM		DCF.91.162.2LT
	304/305 306/307	DCE.91.132.BVC	DCE.91.132.BVM	DCF.91.131.2LT
		DCE.91.132.CVC	DCE.91.132.CVM	
	308/310	DCE.91.092.BVC	DCE.91.092.BVM	DCF.91.090.2LT
		DCE.91.092.AVC	DCE.91.092.AVM	
312/314/316 318/319	DCE.91.072.BVC	DCE.91.072.BVM	DCF.91.070.2LT	
3T	302	DCE.91.303.BVCM		DCF.91.303.5LT
	303/304/309	DCE.91.203.BVCM		DCC.91.202.5LA ²⁾
	305/306/307	DCE.91.163.BVCM		DCF.91.163.5LT
	308/309/310	DCE.91.133.BVC	DCE.91.133.BVM	DCF.91.133.5LT
	312/314 316/318	DCE.91.093.BVC	DCE.91.093.BVM	DCF.91.093.5LT
		DCE.91.093.BVG	DCE.91.093.BVU	
320/322/324 326/330	DCE.91.073.BVC	DCE.91.073.BVM	DCF.92.070.3LT	

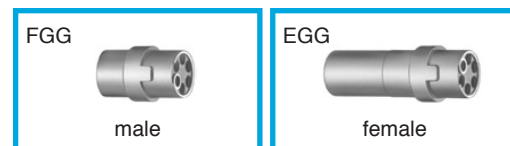
Note: ²⁾ this model is thumb-operated.

FGG-EGG Crimp contacts



Note: a wide variation of strand number and diameter combinations are quoted as being AWG, some of which do not have a large enough cross section to guarantee a crimp as per either MIL-C-22520/1-01 or /7-01.

FGG-EGG Insulators



Note: each insulator can be used both for crimp contacts of normal shape (fig. 1) or with reduced solder cups (fig. 2).

DCE Positioners ø 0.5, 0.7, 0.9, 1.3 mm



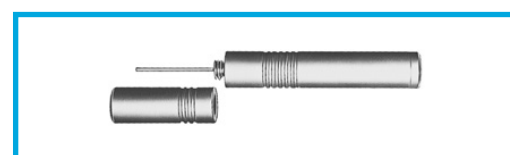
These positioners are suitable for use with both manual and pneumatic crimping tools according to the MIL-C-22520/7-01 standard.

DCE Turret for ø 1.6, 2.0, 3.0, 4.0 mm



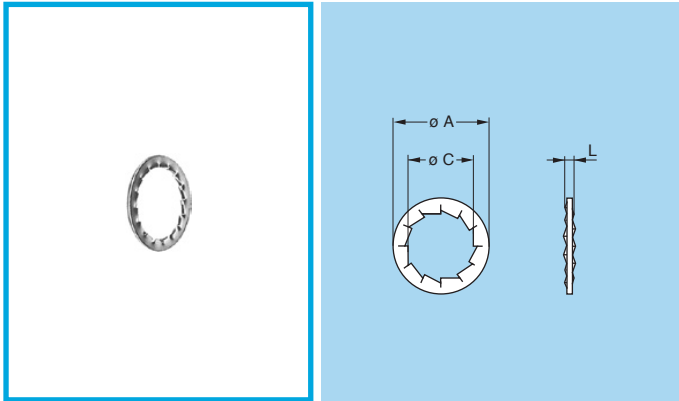
Note: these turrets can be used with manual crimping tool according to MIL-C-22520/1-01 standard.

DCF Automatic extraction tools



Spare parts

GBA Locking washers

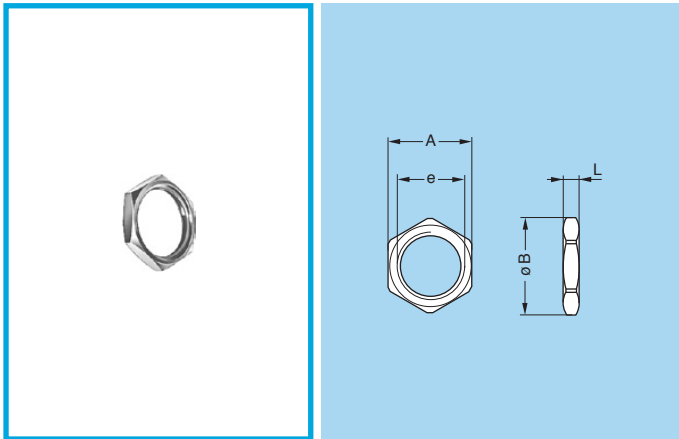


Part number	Series	Dimensions (mm)		
		A	C	L
GBA.00.250.FN	TT	9.5	7.1	1.0
GBA.0S.250.FN	0T	12.5	9.1	1.0
GBA.1S.250.FN	1T	16.0	12.1	1.0
GBA.2S.250.FN	2T	19.5	15.1	1.2
GBA.3S.250.FN	3T	25.0	18.1	1.4

Note: to order this accessory separately, use the above part numbers.

- Material: Nickel-plated bronze (3 μm)

GEA Hexagonal nuts

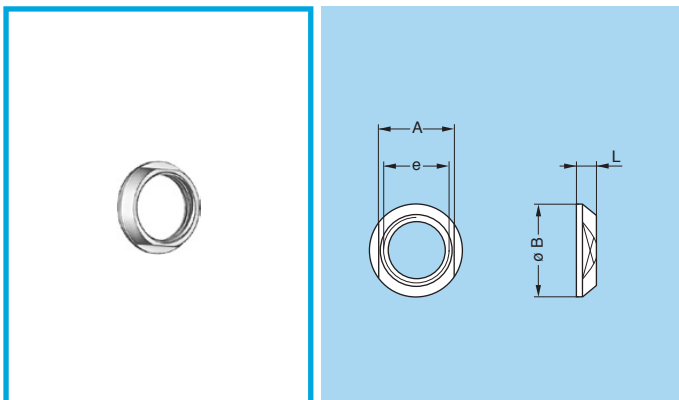


Part number	Series	Dimensions (mm)			
		A	B	e	L
GEA.00.240.LN	TT	9	10.2	M7 x 0.5	2.0
GEA.0S.240.LN	0T	11	12.4	M9 x 0.6	2.0
GEA.1S.240.LN	1T	14	15.8	M12 x 1.0	2.5
GEA.2S.240.LN	2T	17	19.2	M15 x 1.0	2.7
GEA.3S.240.LN	3T	22	25.0	M18 x 1.0	3.0

Note: to order this part separately, use the above part numbers. The last letters «LN» of the part number refer to the nut material and treatment. If a nut in aluminium alloy or stainless steel is desired, replace the last letters of the part number by «PT» or «AZ» respectively. See page 17 for the tooling.

- Material: Nickel-plated brass (3 μm), Natural anodized aluminium alloy, Stainless steel

GEC Conical nuts

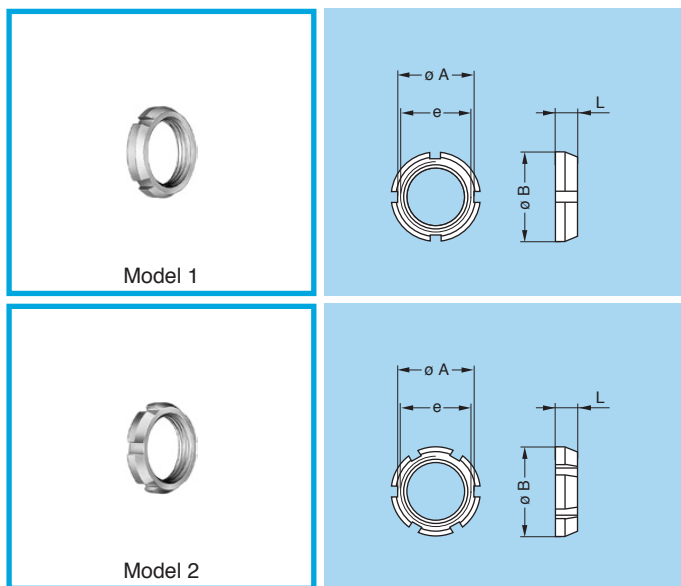


Part number	Series	Dimensions (mm)			
		A	B	e	L
GEC.00.240.LC	TT	8	10	M7 x 0.5	2.5
GEC.0S.240.LC	0T	10	12	M9 x 0.6	2.5
GEC.1S.240.LC	1T	13	16	M12 x 1.0	3.2
GEC.2S.240.LC	2T	17	20	M15 x 1.0	3.8
GEC.3S.240.LC	3T	20	24	M18 x 1.0	4.5

Note: 3T series fixed and free sockets for back panel mounting are always delivered with a conical nut. To order this accessory separately, use the above part numbers. See page 17 for the tooling.

- Material: Chrome-plated brass (Ni 3 μm + Cr 0.3 μm)

GEG Notched nuts



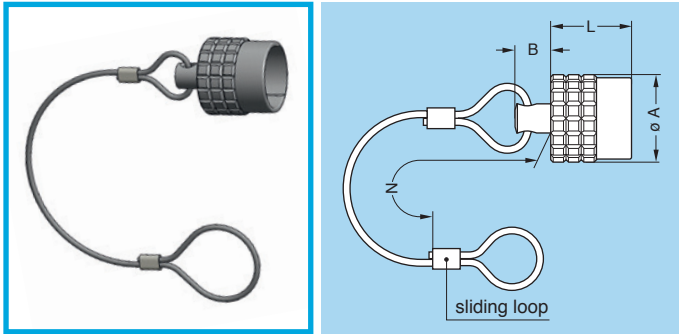
Part number	Series	Dimensions (mm)				Model
		A	B	e	L	
GEG.00.240.LC	TT	8.6	10	M7 x 0.5	2.5	1
GEG.0S.240.LC	0T	10.5	12	M9 x 0.6	2.5	1
GEG.1S.240.LC	1T	14.0	16	M12 x 1.0	3.5	1
GEG.2S.240.LC	2T	17.5	20	M15 x 1.0	3.5	2

Note: TT, 0T, 1T and 2T series fixed and free sockets for back panel mounting are always delivered with this notched nut. To order this accessory separately, use the above part numbers. See page 18 for the tooling.

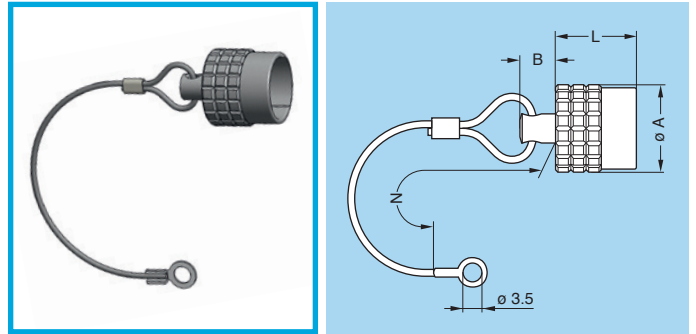
- Material: Chrome-plated brass (Ni 3 μm + Cr 0.3 μm)

Accessories

BFG Blanking caps for plugs



BHG Blanking caps for fixed plugs

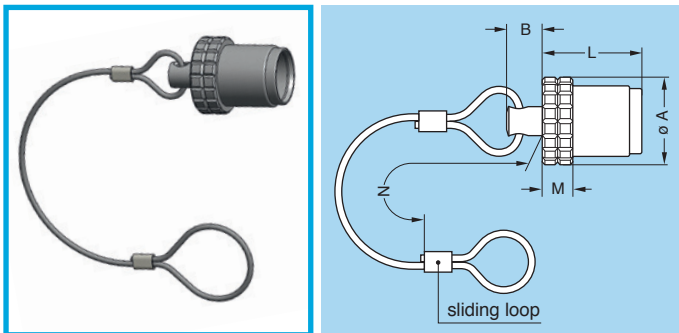


Part number	Dimensions (mm)				Part number
	A	B	L	N ¹⁾	
BFG.TT.100.CAS	7.0	4.3	9.0	60	BHG.TT.100.CAS
BFG.0T.100.CAS	9.5	5.0	11.0	85	BHG.0T.100.CAS
BFG.1T.100.CAS	12.0	6.3	12.4	85	BHG.1T.100.CAS
BFG.2T.100.CAS	15.0	6.4	13.8	85	BHG.2T.100.CAS
BFG.3T.100.CAS	18.8	6.4	17.6	120	BHG.3T.100.CAS

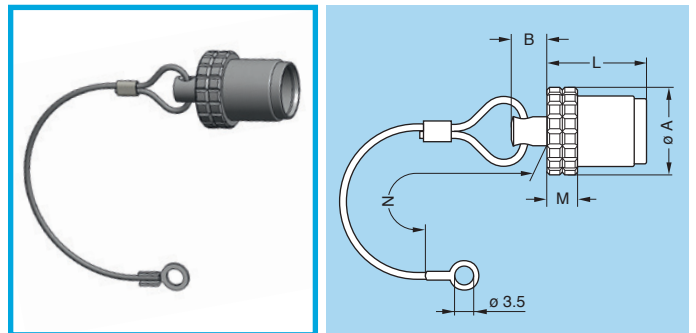
- Body material: Chrome-plated brass (Ni 3 µm)
- Lanyard material: Stainless steel
- Crimp ferrule material: Nickel-plated brass + polyolefin
- O-ring material: Silicone
- Maximum operating temperature: 135°C
- Watertightness: IP68 according to IEC 60529

Note: 1) the tolerance on this dimension is ± 5 mm.

BRF Blanking caps for free sockets



BRE Blanking caps for sockets

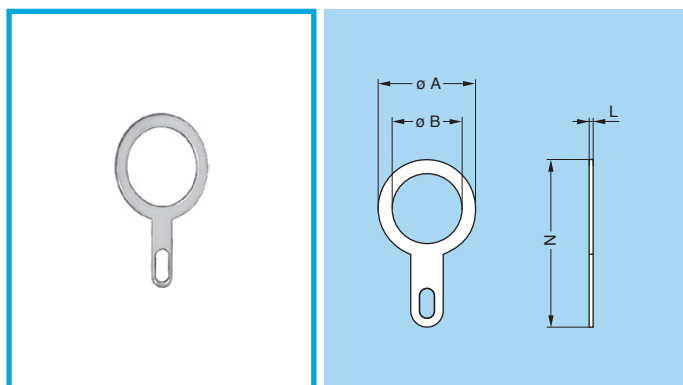


Part number	Dimensions (mm)					Part number
	A	B	L	M	N ¹⁾	
BRF.TT.200.CAZ	7.0	4.3	10.4	2.4	60	BRE.TT.200.CAZ
BRF.0T.200.CAZ	9.5	5.0	13.2	3.2	85	BRE.0T.200.CAZ
BRF.1T.200.CAZ	12.0	6.3	15.1	4.2	85	BRE.1T.200.CAZ
BRF.2T.200.CAZ	15.0	6.4	17.1	5.2	85	BRE.2T.200.CAZ
BRF.3T.200.CAZ	18.8	6.4	21.2	6.4	120	BRE.3T.200.CAZ

- Body material: Chrome-plated brass (Ni 3 µm)
- Lanyard material: Stainless steel
- Crimp ferrule material: Nickel-plated brass + polyolefin
- Maximum operating temperature: 135°C
- Watertightness: IP68 according to IEC 60529

Note: 1) the tolerance on this dimension is ± 5 mm.

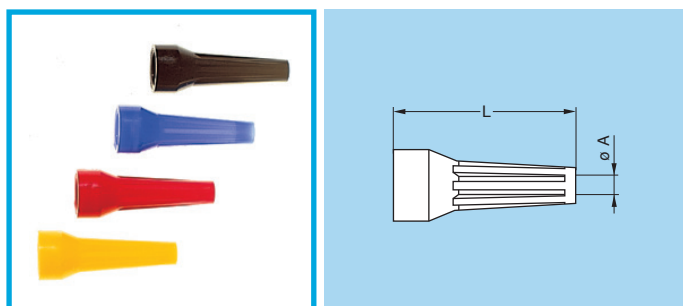
GCA Earthing washers



Part number	Series	Dimensions (mm)			
		A	B	L	N
GCA.00.255.LT	TT	9.5	7.1	0.4	18.2
GCA.0S.255.LT	0T	13.0	9.1	0.4	22.0
GCA.1S.255.LT	1T	17.0	12.2	0.5	27.5
GCA.2S.255.LT	2T	20.0	15.2	0.5	32.0
GCA.3S.255.LT	3T	25.0	18.2	0.5	39.0

● Material: CuSnZn plated brass (2 µm)

Bend relief (TPU)



A bend relief made from thermoplastic polyurethane elastomer can be fitted over LEMO plugs and sockets that are supplied with nut for fitting such bend relief.

They are available in nine different colours match with the GRA insulating washers.

Use the part numbers shown below to order this accessory separately.

	Part number	Bend relief		Cable ϕ	
		A	L	min.	max.
TT	GMB.00.025.DG ¹⁾	2.5	22	2.5	2.8
	GMB.00.028.DG ¹⁾	2.8	22	2.8	3.1
	GMB.00.032.DG ¹⁾	3.2	22	3.2	3.5
	GMD.00.025.DG ¹⁾	2.5	22	2.5	2.8
	GMD.00.028.DG ¹⁾	2.8	22	2.8	3.1
	GMD.00.032.DG ¹⁾	3.2	22	3.2	3.5
0T	GMA.0B.025.DG	2.5	24	2.5	2.9
	GMA.0B.030.DG	3.0	24	3.0	3.4
	GMA.0B.035.DG	3.5	24	3.5	3.9
	GMA.0B.040.DG ¹⁾	4.0	24	4.0	4.4
	GMA.0B.045.DG ¹⁾	4.5	24	4.5	5.2
1T	GMA.1B.025.DG	2.5	30	2.5	2.9
	GMA.1B.030.DG	3.0	30	3.0	3.4
	GMA.1B.035.DG	3.5	30	3.5	3.9
	GMA.1B.040.DG	4.0	30	4.0	4.4
	GMA.1B.045.DG	4.5	30	4.5	4.9
	GMA.1B.054.DG	5.4	30	5.4	6.0
	GMA.1B.065.DG ¹⁾	6.5	30	6.5	7.0

	Part number	Bend relief		Cable ϕ	
		A	L	min.	max.
2T	GMA.2B.040.DG	4.0	36	4.0	4.5
	GMA.2B.045.DG	4.5	36	4.5	5.0
	GMA.2B.050.DG	5.0	36	5.0	5.5
	GMA.2B.060.DG	6.0	36	6.0	6.5
	GMA.2B.070.DG	7.0	36	7.0	7.7
	GMA.2B.080.DG ¹⁾	7.8	36	7.8	8.8
3T	GMA.3B.050.DG ¹⁾	4.5	42	4.5	5.2
	GMA.3B.060.DG	6.0	42	6.0	6.9
	GMA.3B.070.DG	7.0	42	7.0	7.9
	GMA.3B.080.DG	8.0	42	8.0	8.9
	GMA.3B.090.DG	9.0	42	9.0	10.0

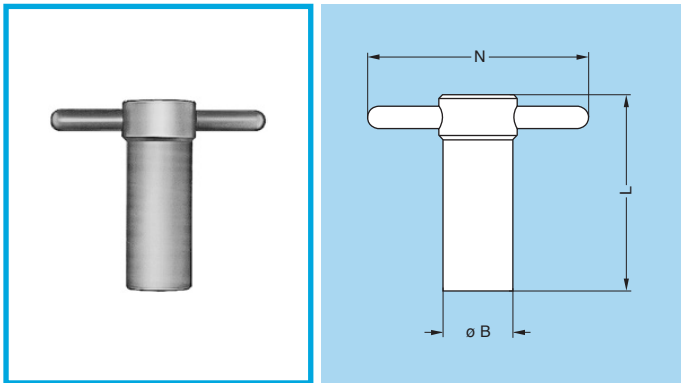
Note: all dimensions are in millimetres.

Ref.	Colour	Ref.	Colour	Ref.	Colour
A	blue	J	yellow	R	red
B	white	M	brown	S	orange
G	grey	N	black	V	green

Note: ¹⁾ Design may differ from other bend relief, model without stripes. The «GMD» are thin bend reliefs (for very flexible cables). The last letter «G» of the part number indicates the grey colour of the bend relief. For ordering a bend relief with another colour, see table above and replace the letter «G» by the letter of the required colour.

Tooling

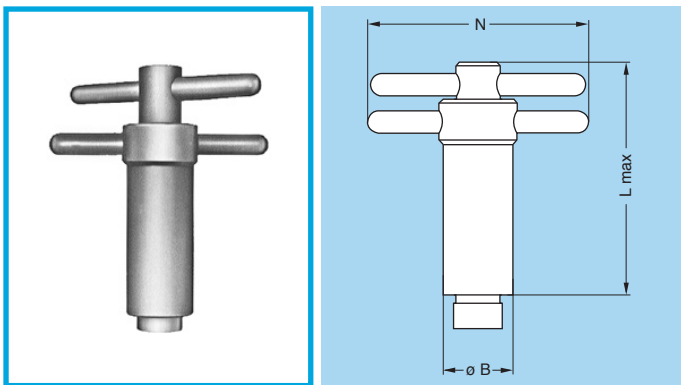
DCG Spanners for hexagonal nuts



Part number	Series	Dimensions (mm)			Part number of the nut
		B	L	N	
DCG.91.149.0TN	TT	14	40	50	GEA.00.240.LN
DCG.91.161.1TN	0T	16	45	52	GEA.0S.240.LN
DCG.91.201.4TN	1T	20	52	65	GEA.1S.240.LN
DCG.91.231.7TN	2T	23	62	68	GEA.2S.240.LN
DCG.91.282.2TN	3T	28	76	73	GEA.3S.240.LN

● Material: blackened steel

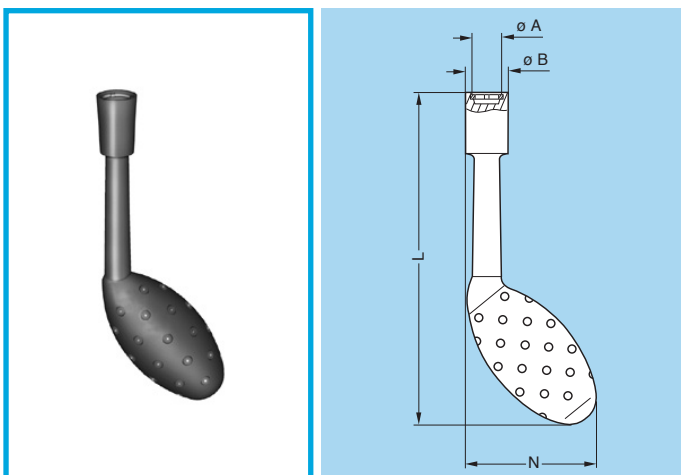
DCA Spanners for hexagonal nuts with locator for flats on socket thread



Part number	Series	Dimensions (mm)			Part number of the nut
		B	L	N	
DCA.91.149.0TN	TT	14	65	50	GEA.00.240.LN
DCA.91.161.1TN	0T	16	73	52	GEA.0S.240.LN
DCA.91.201.4TN	1T	20	85	65	GEA.1S.240.LN
DCA.91.231.7TN	2T	23	100	68	GEA.2S.240.LN
DCA.91.282.2TN	3T	28	120	73	GEA.3S.240.LN

● Material: blackened steel

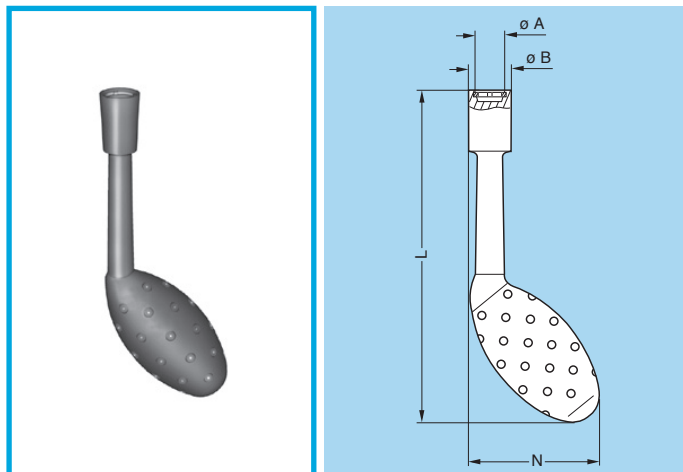
DCH Spanners for conical nuts



Part number	Series	Dimensions (mm)				Part number of the nut
		A	B	L	N	
DCH.91.101.PN	TT	10.1	12.8	124	48.3	GEC.00.240.LC
DCH.91.121.PN	0T	12.1	14.8	124	49.3	GEC.0S.240.LC
DCH.91.161.PN	1T	16.1	21.0	124	51.9	GEC.1S.240.LC
DCH.91.201.PN	2T	20.1	22.8	129	53.5	GEC.2S.240.LC

● Material: dark grey polyurethane

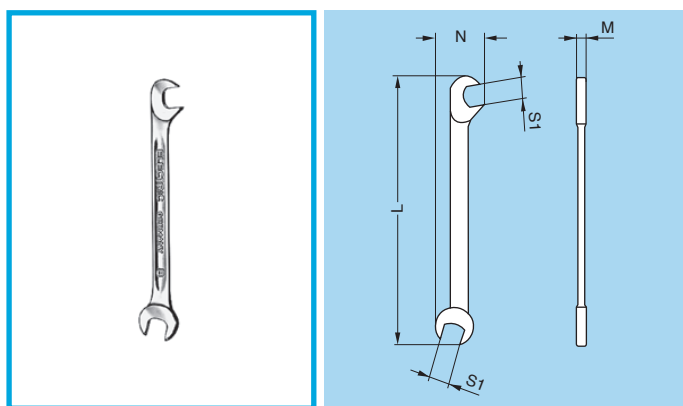
DCH Spanners for notched nuts



Part number	Series	Dimensions (mm)				Part number of the nut
		A	B	L	N	
DCH.91.101.PA	TT	10.1	12.8	124	48.3	GEG.00.240.LC
DCH.91.121.PA	0T	12.1	14.8	124	49.3	GEG.0S.240.LC
DCH.91.161.PA	1T	16.1	21.0	124	51.9	GEG.1S.240.LC
DCH.91.201.PA	2T	20.1	22.8	129	53.5	GEG.2S.240.LC

● Material: blue polyurethane

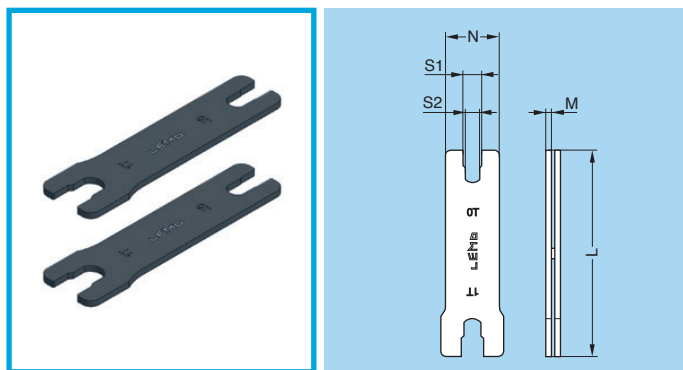
DCP Flat spanners for collet nut



Part number	Series	Dimensions (mm)			
		L	M	N	S1
DCP.99.050.TC	TT	78	2	12.6	5.0
DCP.99.055.TC	TT	78	2	12.6	5.5
DCP.99.060.TC	TT	78	2	12.6	6.0

● Material: chrome-plated steel

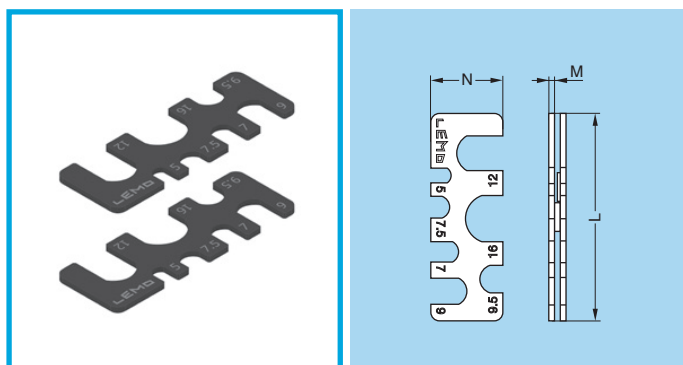
DCP Set of flat spanners for collet nuts



Part number	Series	Dimensions (mm)				
		L	M	N	S1	S2
DCP.0T.110.TN	0T	95	2.5	21	7.55	7.05
DCP.0T.110.TN	1T	95	2.5	25	11.05	9.05
DCP.2T.110.TN	2T	115	3.0	30	14.05	12.05
DCP.2T.110.TN	3T	115	3.0	35	16.05	14.05

● Material: blackened steel

DCP Set of flat spanners for FS● retaining ring & collet nuts

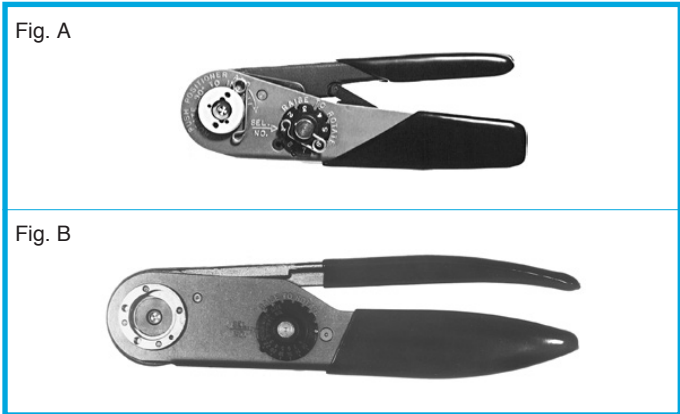


Part number	Series	Dimensions (mm)		
		L	M	N
DCP.TT.FSG.TN	TT-0T-1T-2T	72	2	25

● Material: blackened steel

Crimping tools for electrical contacts

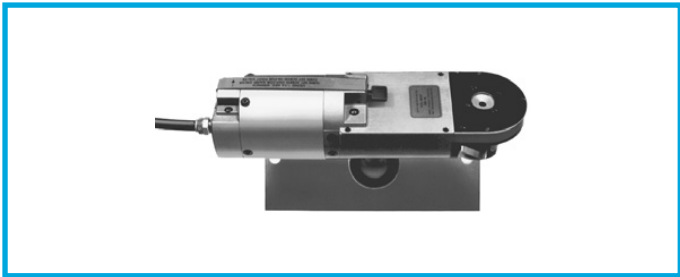
Manual crimping tools



Part number		Supplier
contact ø 0.5-0.7 0.9-1.3 (Fig. A)	contact ø 1.6-2.0 (Fig. B)	
DPC.91.701.V¹⁾	DPC.91.101.A²⁾	LEMO
MH860¹⁾	AF8²⁾	DANIELS
616336¹⁾	615708²⁾	ASTRO

1) According to specification MIL-C-22520/7-01.
2) According to specification MIL-C-22520/1-01.

Pneumatic crimping tools



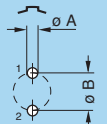
Part number	Supplier
DPC.91.701.C	LEMO
85230	BALMAR
621101	BUCHANAN

According to specification MIL-C-22520/7-01.
For LEMO contacts ø 0.5-0.7-0.9-1.3 mm

PCB drilling pattern

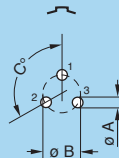
Fixed socket with straight print contact

302



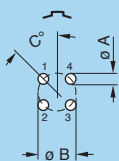
Series	Dimensions	
	A	B
TT	0.6	1.2
0T	0.8	2.2
1T	0.8	2.8
2T	0.8	4.4

303



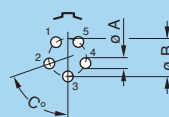
Series	Dimensions		
	A	B	C
TT	0.6	1.35	120°
0T	0.8	2.30	120°
1T	0.8	3.00	120°
2T	0.8	4.60	120°
3T	0.8	5.60	120°

304



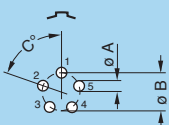
Series	Dimensions		
	A	B	C
TT	0.6	1.6	45°
0T	0.6	2.5	45°
1T	0.8	3.1	45°
2T	0.8	5.0	45°
3T	0.8	6.2	45°

305



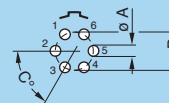
Series	Dimensions		
	A	B	C
TT	0.5	1.7	72°

305



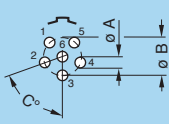
Series	Dimensions		
	A	B	C
0T	0.6	2.8	72°
1T	0.8	3.4	72°
2T	0.8	5.2	72°
3T	0.8	6.7	72°

306



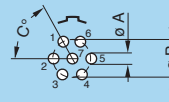
Series	Dimensions		
	A	B	C
0T	0.6	3.0	60°
1T	0.8	3.7	60°

306



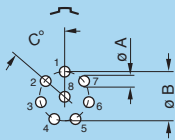
Series	Dimensions		
	A	B	C
2T	0.8	5.6	72°
3T	0.8	7.1	72°

307



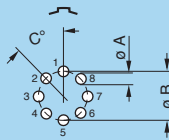
Series	Dimensions		
	A	B	C
0T	0.6	3.00	60°
1T	0.8	3.70	60°
2T	0.8	5.80	60°
3T	0.8	7.08	60°

308



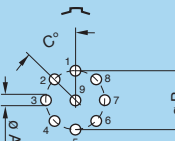
Series	Dimensions		
	A	B	C
1T	0.8	3.8	51°26'

308



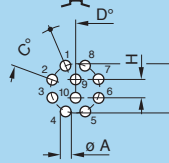
Series	Dimensions		
	A	B	C
2T	0.8	6.4	45°
3T	0.8	7.5	45°

309



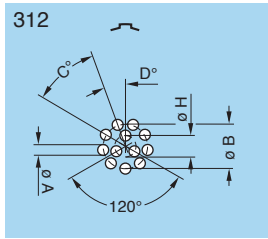
Series	Dimensions		
	A	B	C
0T	0.6	3.2	45°
3T	0.8	7.5	45°

310

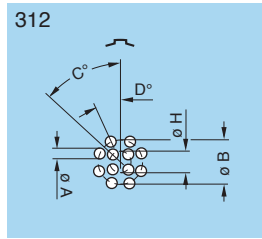


Series	Dimensions				
	A	B	C	D	H
1T	0.6	3.95	45°	22°30'	1.40
2T	0.8	6.30	45°	22°30'	2.15
3T	0.8	7.90	45°	22°30'	2.80

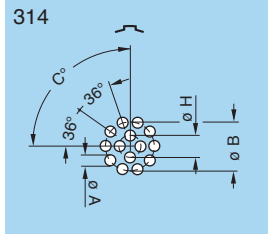
Note: all views are from the side of the socket.



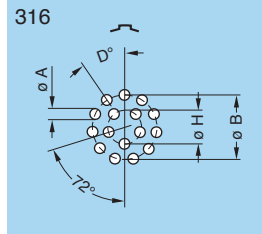
Series	Dimensions				
	A	B	C	D	H
0T	0.5	3.3	40°	20°	1.25



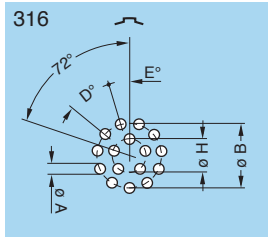
Series	Dimensions				
	A	B	C	D	H
2T	0.8	6.50	45°	22°30'	2.80
3T	0.8	8.20	45°	22°30'	3.40



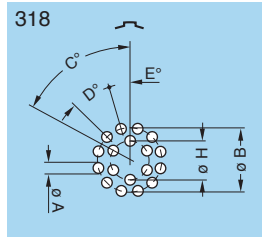
Series	Dimensions			
	A	B	C	H
1T	0.6	4.4	90°	1.90
2T	0.8	6.5	90°	2.65
3T	0.8	8.2	90°	3.40



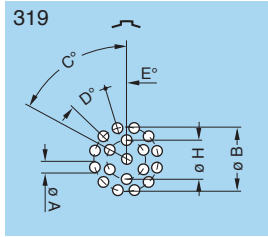
Series	Dimensions			
	A	B	D	H
1T	0.6	4.4	32°44'	2.0



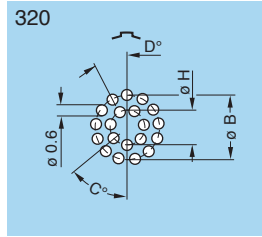
Series	Dimensions				
	A	B	D	E	H
2T	0.8	6.6	32°44'	16°22'	3.10
3T	0.8	8.4	32°44'	16°22'	3.86



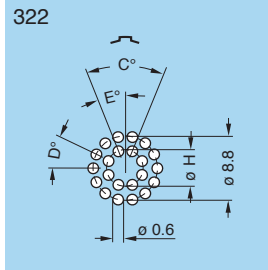
Series	Dimensions					
	A	B	C	D	E	H
2T	0.8	6.7	60°	30°	15°	3.50
3T	0.8	8.4	60°	30°	15°	4.34



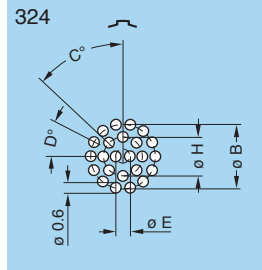
Series	Dimensions					
	A	B	C	D	E	H
2T	0.8	6.7	60°	30°	15°	3.5



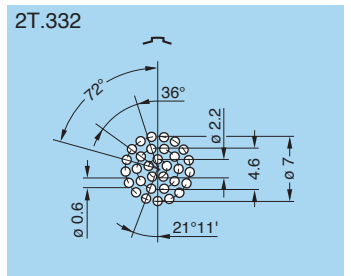
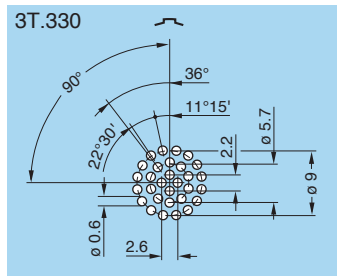
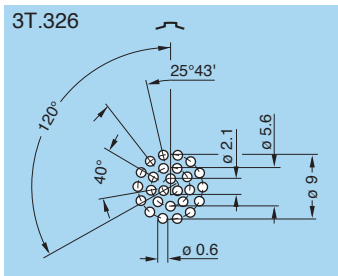
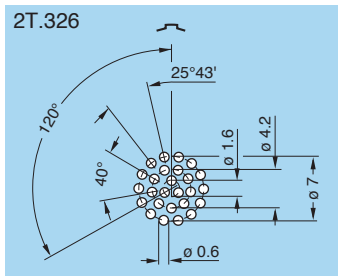
Series	Dimensions			
	B	C	D	H
3T	8.62	51°26'	27°42'	4.78



Series	Dimensions			
	C	D	E	H
3T	45°	25°43'	22°30'	5



Series	Dimensions				
	B	C	D	E	H
3T	8.8	45°	25°43'	1.8	5.30



Note: all views are from the side of the socket.

Metal collet nut tightening torque

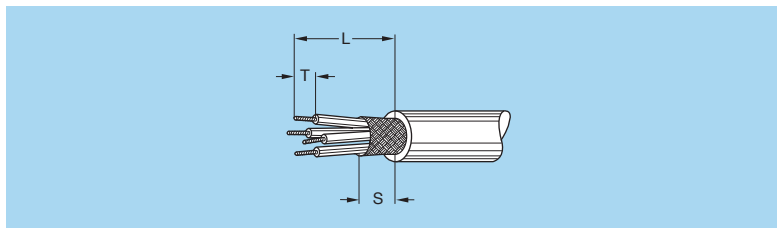
Series	Maximum metal collet nut tightening torque
TT	0.25
0T	0.70

Series	Maximum metal collet nut tightening torque
1T	0.80
2T	2.00

Series	Maximum metal collet nut tightening torque
3T	3.00

Cable assembly

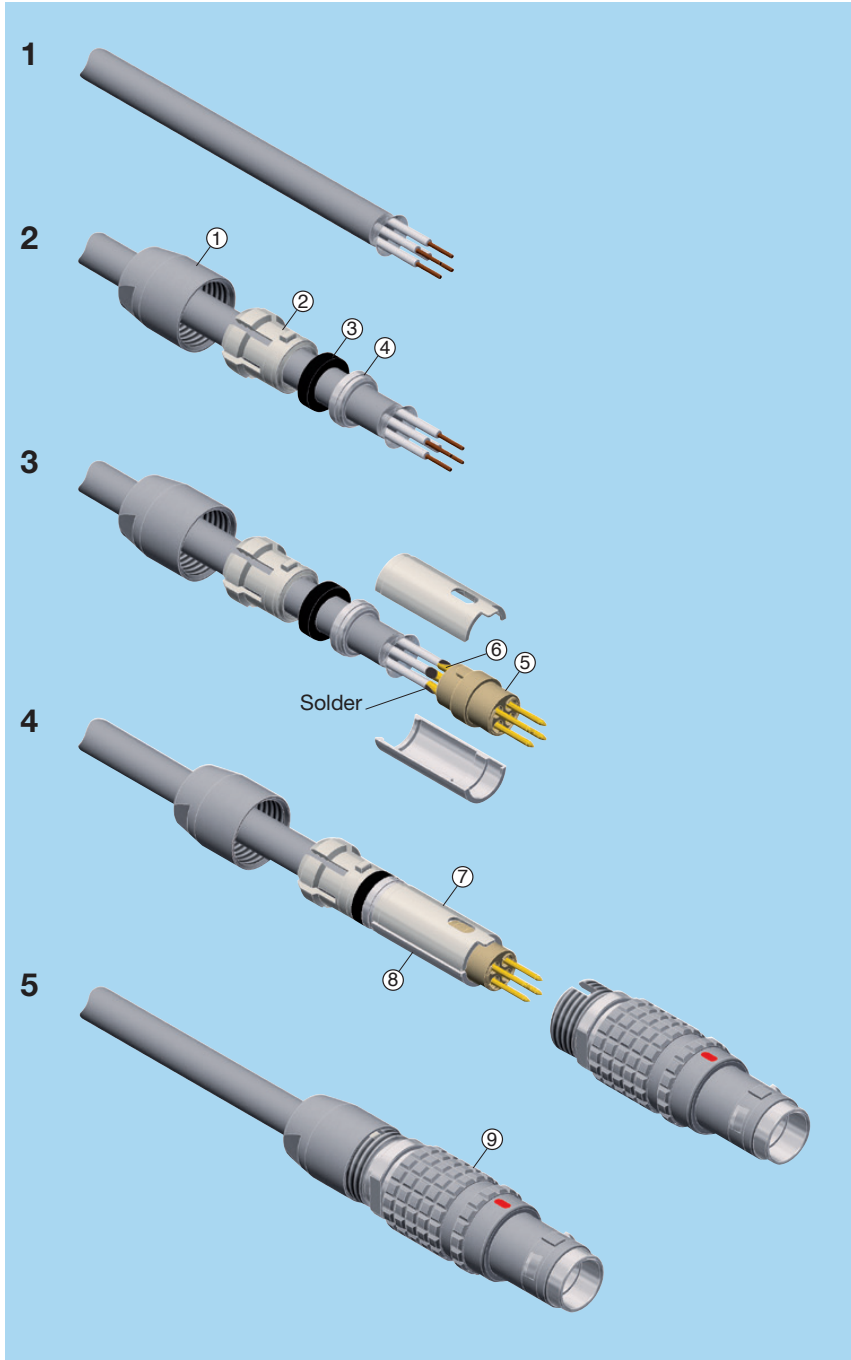
Straight plugs and sockets with cable collet



	Type	ø contact A (mm)	Cable stripping lengths (mm)					
			Solder			Crimp		
			L	S	T	L	S	T
TT	302/303/304	0.5	7.0	4	2.5	10.0	4	3.0
	305/306	0.35	7.0	4	2.5	–	–	–
OT	302/303	0.9	9.5	6	3.5	12.0	6	4.0
	304/305	0.7	9.5	6	3.5	12.0	6	4.0
	306/307/309¹⁾	0.5	9.0	6	2.5	13.0	6	3.0
	312	0.35	9.0	6	2.5	–	–	–
1T	302/303	1.3	11.0	7	3.5	14.5	7	4.0
	304/305	0.9	11.0	7	3.0	14.5	7	4.0
	306/307/308	0.7	11.0	7	3.0	14.5	7	4.0
	310/314/316	0.5	13.0	7	2.5	14.0	7	3.0
2T	302	2.0	16.5	8	4.0	19.5	8	5.5
	303	1.6	16.5	8	3.5	19.5	8	5.5
	304/305/306/307	1.3	15.5	8	3.5	17.5	8	4.0
	308/310	0.9	14.5	8	3.0	17.5	8	4.0
	312/314/316/318/319	0.7	14.5	8	3.0	17.5	8	4.0
	326/332	0.5	14.5	8	2.5	–	–	–
3T	302	3.0	19.0	10	4.5	23.0	10	5.5
	303/304	2.0	18.0	10	4.0	22.0	10	5.5
	305/306/307	1.6	18.0	10	3.5	22.0	10	5.5
	308/310	1.3	17.0	10	3.5	20.0	10	4.0
	309	1.3 2.0	17.0	10	3.5 4.0	20.0	10	4.0 5.5
	312/314/316/318	0.9	16.0	10	3.0	20.0	10	4.0
	320/322/324/326/330	0.7	16.0	10	3.0	20.0	10	4.0

Note: ¹⁾ crimp contacts are available only for connectors fitted with male contacts. The tolerances on these dim. are: L: ± 0.5 mm; S: ± 0.5 mm; T: ± 0.2 mm.

Terminating plugs with solder contacts and cable collet



Cable preparation

1. Strip the cable according to the given dimensions. (The end of the cable jacket must be cut properly).

Cable termination

2. Slide it into the collet nut ①, the collet ②, the gland ③ and the earthing cone ④.
3. In case of a screened cable, fold screen back over the extremity of the earthing cone. Arrange the conductors according to the insulator ⑤ marking by avoiding to twist them. Fit conductor into the contacts ⑥ and solder. Verify that insulator and insulation remain clean.
4. Locate the slotted upper half ⑦ of the split insert carrier over the shoulder and key on the insulator then align and press together the other half ⑧ to form a complete cylinder. Push the earthing cone against the insert carriers whilst checking that the screen is being clamped around the whole circumference and cut, if necessary, the excess screen. Push the gland, and collet against the earthing cone. Push the cable forward and verify that cable jacket is located under the gland.
5. Next slide the plug shell ⑨ over the insulator assembly making sure that the key on the insert carrier goes into the keyway (under the color point) inside the shell. Locate the key of the collet into the slot of the shell. Finally screw the collet nut with the appropriate tool and tighten to the maximum torque value (see page 20).

LEMO's Push-Pull Self-Latching Connection System

This self-latching system is renowned worldwide for its easy and quick mating and unmating features. It provides absolute security against vibration, shock or pull on the cable, and facilitates operation in a very limited space.

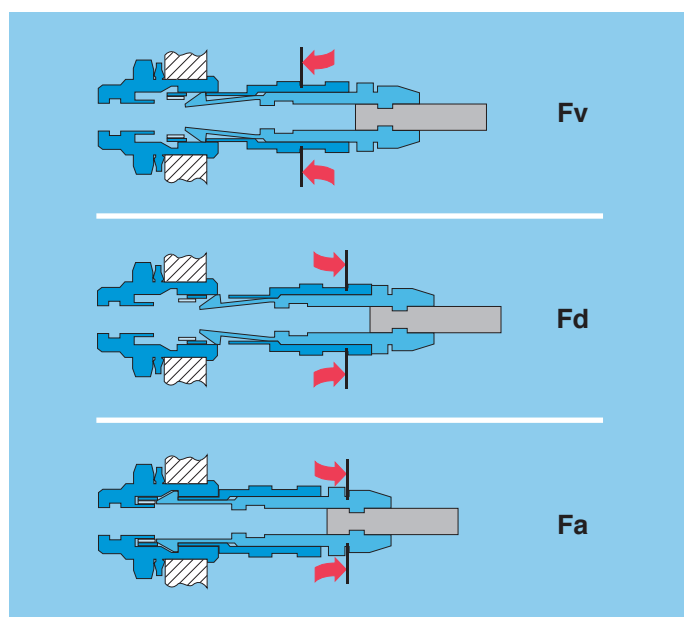
The LEMO self-latching system allows the connector to be mated by simply pushing the plug axially into the socket.

Once firmly latched, connection cannot be broken by pulling on the cable or any other component part other than the outer release sleeve.

When required, the connector is disengaged by a single axial pull on the outer release sleeve. This first disengages the latches and then withdraws the plug from the socket.

Technical characteristics

Mechanical latching characteristics



Keyed watertight series

Force (N)	Series				
	TT	OT	1T	2T	3T
Fv	14	15	16	20	28
Fd	12	13	14	15	24
Fa	80	130	250	250	400

Notes: forces were measured on outer shells **not fitted with contacts**.
Mechanical endurance: 3000 cycles. Average pull force (F_a) with axial pull on the collet nut is about 50% of F_a values after 3000 cycles.
 The values were measured according to the standard IEC 60512-7 test 13a.

1N = 0.102 kg.

F_v : average latching force.

F_d : average unmating force with axial pull on the outer shell.

F_a : average pull force with axial pull on the collet nut

Note:

Product safety notice

PLEASE READ AND FOLLOW ALL INSTRUCTIONS CAREFULLY AND CONSULT ALL RELEVANT NATIONAL AND INTERNATIONAL SAFETY REGULATIONS FOR YOUR APPLICATION. IMPROPER HANDLING, CABLE ASSEMBLY, OR WRONG USE OF CONNECTORS CAN RESULT IN HAZARDOUS SITUATIONS.

1. SHOCK AND FIRE HAZARD

Incorrect wiring, the use of damaged components, presence of foreign objects (such as metal debris), and / or residue (such as cleaning fluids), can result in short circuits, overheating, and / or risk of electric shock. Mated components should never be disconnected while live as this may result in an exposed electric arc and local overheating, resulting in possible damage to components.

2. HANDLING

Connectors and their components should be visually inspected for damage prior to installation and assembly. Suspect components should be rejected or returned to the factory for verification. Connector assembly and installation should only be carried out by properly trained personnel. Proper tools must be used during installation and / or assembly in order to obtain safe and reliable performance.


3. USE


Connectors with exposed contacts should never be live (or on the current supply side of a circuit). Under general conditions voltages above 30 VAC and 42 VDC are considered hazardous and proper measures should be taken to eliminate all risk of transmission of such voltages to any exposed metal part of the connector.

4. TEST AND OPERATING VOLTAGES

The maximum admissible operating voltage depends upon the national or international standards in force for the application in question. Air and creepage distances impact the operating voltage; reference values are indicated in the catalog however these may be influenced by PC board design and / or wiring harnesses. The test voltage indicated in the catalog is 75% of the mean breakdown voltage; the test is applied at 500 V/s and the test duration is 1 minute.

5. CE MARKING

CE marking  means that the appliance or equipment bearing it complies with the protection requirements of one or several European safety directives.

CE marking  applies to complete products or equipment, **but not to electromechanical components, such as connectors.**

6. PRODUCT IMPROVEMENTS

The LEMO Group reserves the right to modify and improve to our products or specifications without providing prior notification.

7. **WARNING (Prop 65 State of California)**

Proposition 65 requires businesses to provide warnings to Californians about significant exposures to chemicals that cause cancer, birth defects or other reproductive harm. LEMO products are exempt from proposition 65 warnings because they are manufactured, marketed, and sold solely for commercial and industrial use. For further information, please visit <https://www.lemo.com/quality/LEMO-Prop-65-compliance-declaration.pdf>.

Disclaimers

LEMO works constantly to improve the quality of its products; the information and illustrations figuring in this document may therefore vary and are not binding. In any case, LEMO makes no specific warranty of merchantability, fitness for a particular purpose, third party components as such or included in assembly, non-infringement, title, accuracy, completeness, or security. The user is fully responsible for his products and applications using LEMO component.

In no event shall LEMO, its affiliates, officers, agents or employees be liable for any incidental, indirect, special or consequential damages in connection with the products or services provided by LEMO, including (without limitation) loss of profits or revenues, interruption of business, loss of use of the products or any associated equipment, materials, components or products, damages to associated equipment or in combination with other components, materials.

Reproduction of significant portions of LEMO information in LEMO data books or data sheets is permissible only if reproduction is without alteration and is accompanied by all associated warranties, conditions, limitations, and notices. LEMO is not responsible or liable for such altered documentation. Information of third parties may be subject to additional restrictions.

No reproduction or use without express permission of editorial or pictorial content, in any manner.
LEMO SA reserves the right to modify and improve specifications, at all times, without any notification.

LEMO HEADQUARTERS

SWITZERLAND

LEMO SA

Chemin des Champs-Courbes 28 - P.O. Box 194 - CH-1024 Ecublens
Tel. (+41 21) 695 16 00 - Fax (+41 21) 695 16 02 - e-mail: info@lemo.com

LEMO SUBSIDIARIES

AUSTRIA

LEMO Elektronik GesmbH

Lemböckgasse 49/E6-3
1230 Wien
Tel: (+43 1) 914 23 20 0
Fax: (+43 1) 914 23 20 11
sales@lemo.at

BRAZIL

LEMO Latin America Ltda

Av. José Rocha Bonfim,
214 Salas 224 / 225
Condomínio Praça Capital
Ed. Chicago
Campinas / SP - Brasil 13080-650
Tel: +55 (11) 98689 4736
info-la@lemo.com

CANADA

LEMO Canada Inc

44 East Beaver Creek Road, unit 20
Richmond Hill, Ontario L4B 1G8
Tel: (+1 905) 889 56 78
Fax: (+1 905) 889 49 70
info-canada@lemo.com

CHINA / HONG KONG

LEMO Electronics (Shanghai) Co., Ltd

First Floor, Block E,
18 Jindian Road, Pudong
Shanghai, China, 201206
Tel: (+86 21) 5899 7721
Fax: (+86 21) 5899 7727
cn.sales@lemo.com

DENMARK

LEMO Denmark A/S

Mandal Allé 16A
5500 Middelfart
Tel: (+45) 45 20 44 00
Fax: (+45) 45 20 44 01
info-dk@lemo.com

FRANCE

LEMO France Sàrl

24/28 Avenue Graham Bell
Bâtiment Balthus 4
Bussy Saint Georges
77607 Marne la Vallée Cedex 3
Tel: (+33 1) 60 94 60 94
Fax: (+33 1) 60 94 60 90
info-fr@lemo.com

GERMANY

LEMO Elektronik GmbH

Hanns-Schwindt-Str. 6
81829 München
Tel: (+49 89) 42 77 03
Fax: (+49 89) 420 21 92
info@lemo.de

HUNGARY

REDEL Elektronika Kft

Nagysándor József u. 6-12
1201 Budapest
Tel: (+36 1) 421 47 10
Fax: (+36 1) 421 47 57
info-hu@lemo.com

ITALY

LEMO Italia srl

Viale Lunigiana 25
20125 Milano
Tel: (+39 02) 66 71 10 46
Fax: (+39 02) 37 90 80 46
sales.it@lemo.com

JAPAN

LEMO Japan Ltd

2-7-22, Mita,
Minato-ku, Tokyo, 108-0073
Tel: (+81 3) 54 46 55 10
Fax: (+81 3) 54 46 55 11
lemoinfo@lemo.co.jp

MIDDLE EAST

LEMO Middle East Connectors LLC

Concorde Tower 6th Floor,
Dubai Media City, P.O. Box 126732
Dubai, United Arab Emirates
Tel: +971 55 222 36 77
info-me@lemo.com

NETHERLANDS / BELGIUM

LEMO Connectors Nederland B.V.

Jacques Meuwissenweg 6
2031 AD Haarlem
Tel: +31 23 206 07 01
info-nl@lemo.com

NORWAY / ICELAND

LEMO Norway A/S

Soerumsandvegen 69,
1920 Soerumsand
Tel: (+47) 22 91 70 40
Fax: (+47) 22 91 70 41
info-no@lemo.com

SINGAPORE

LEMO Asia Pte Ltd

4 Leng Kee Road,
#06-09 SiS Building
Singapore 159088
Tel: (+65) 6476 0672
Fax: (+65) 6474 0672
sg.sales@lemo.com

SPAIN / PORTUGAL

IBERLEMO SAU

Brasil, 45, 08402 Granollers
Barcelona
Tel: (+34 93) 860 44 20
Fax: (+34 93) 879 10 77
info-es@lemo.com

SWEDEN / FINLAND

LEMO Nordic AB

Gunnebogatan 30, Box 8201
163 08 Spånga
Tel: (+46 8) 635 60 60
Fax: (+46 8) 635 60 61
info-se@lemo.com

SWITZERLAND

LEMO Verkauf AG

Grundstrasse 22 B, 6343 Rotkreuz
Tel: (+41 41) 790 49 40
ch.sales@lemo.com

UNITED KINGDOM

LEMO UK Ltd

12-20 North Street, Worthing,
West Sussex, BN11 1DU
Tel: (+44 1903) 23 45 43
lemouk@lemo.com

USA

LEMO USA Inc

P.O. Box 2408
Rohnert Park, CA 94927-2408
Tel: (+1 707) 578 88 11
(+1 800) 444 53 66
Fax: (+1 707) 578 08 69
info-US@lemo.com

LEMO DISTRIBUTORS

ARGENTINA, AUSTRALIA, BRAZIL, CHILE, COLOMBIA, CZECH REPUBLIC,
GREECE, INDIA, ISRAEL, NEW ZEALAND, PERU, POLAND, RUSSIA,
SOUTH AFRICA, SOUTH KOREA, TAIWAN, TURKEY, UKRAINE

www.lemo.com

CAT. INT. LEN.P0115, © LEMO / Data subject to change, printed in Switzerland, updated August 2019

U.S. Air Force photo/Tech. Sgt. Shane A.

