

## LED Strip Specifications

### 产品规格书

DESCRIPTION: EM Led Strip

产品名称: EM 灯条

MODEL NO:

产品型号: EM-LED-ALS-24V -1W23-3535-360-5-ZJ0950 (XPG)

Shanghai Edge Light Industry Co,LTD.

TEL:+86-21 -64412288

FAX:+86-21-64412266

E-mail: [info@edgelight.com](mailto:info@edgelight.com)



## 改订记录表

### Record of modification

名称/ Description

改订年月日 Modification date	改订表示 Modification description	改订内容 Modification Content	实施日期 Operating date	确认 Confirmation		
				初审 Primarily Approved by	复审 Review	完成 complete
		初版 First edition				
2018.12.28	2022.08.10					



## 目录

### Table of contents

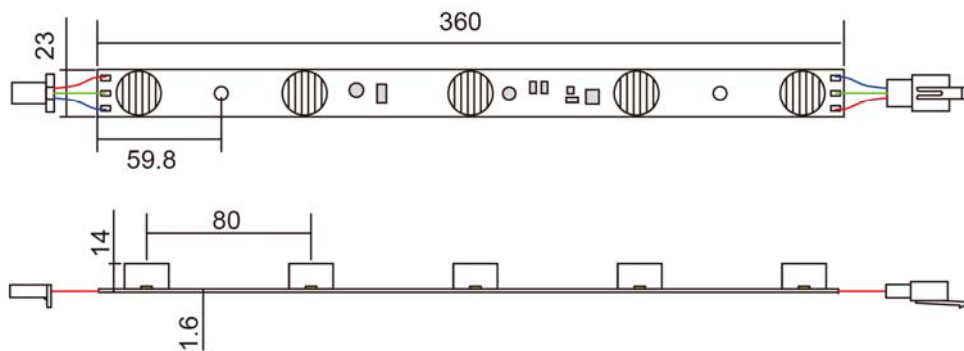
1.Product picture产品图.....	4
2.Dimension drawing产品平面图.....	4
3.Accessories 配件.....	5
4.Connection mode连接方式.....	6
5.Features LED 参数.....	8
6.Technical Request 技术要求.....	9
7.Characteristics and range of application适用范围及特点.....	9
8. Notice 注意事项.....	10
9. Use manual 使用说明.....	10
10.How to name 命名规则.....	11



## 1. 实物图 Picture of real products



## 2. 平面尺寸图 Dimension (mm)



### 3.配件 Accessories



ME-SCM/ME-SCG



EM-DC-3B-1B2D8G-18#RGK-30



EM-DC-3B-1B2D8M-18#RGK-200



EM-DC-3B-1B2D8M-18#RGK-30



EM-DC-2B-1B5525M-18#RK-70



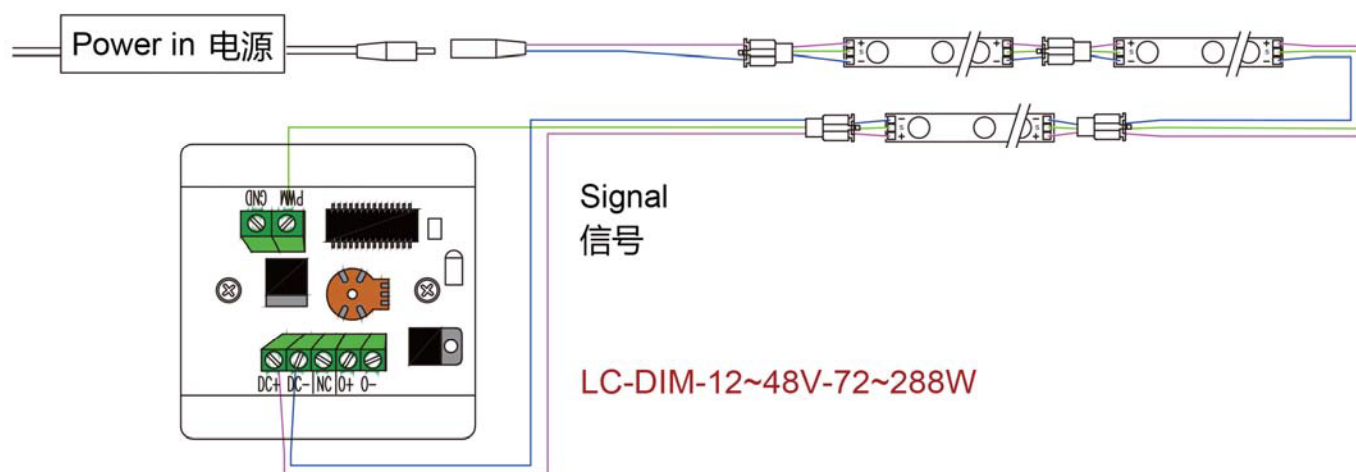
#### 4.连接方式/Connection mode

There' re two type operation method for this LED strip , one is dimmable ,the other is not dimmable .

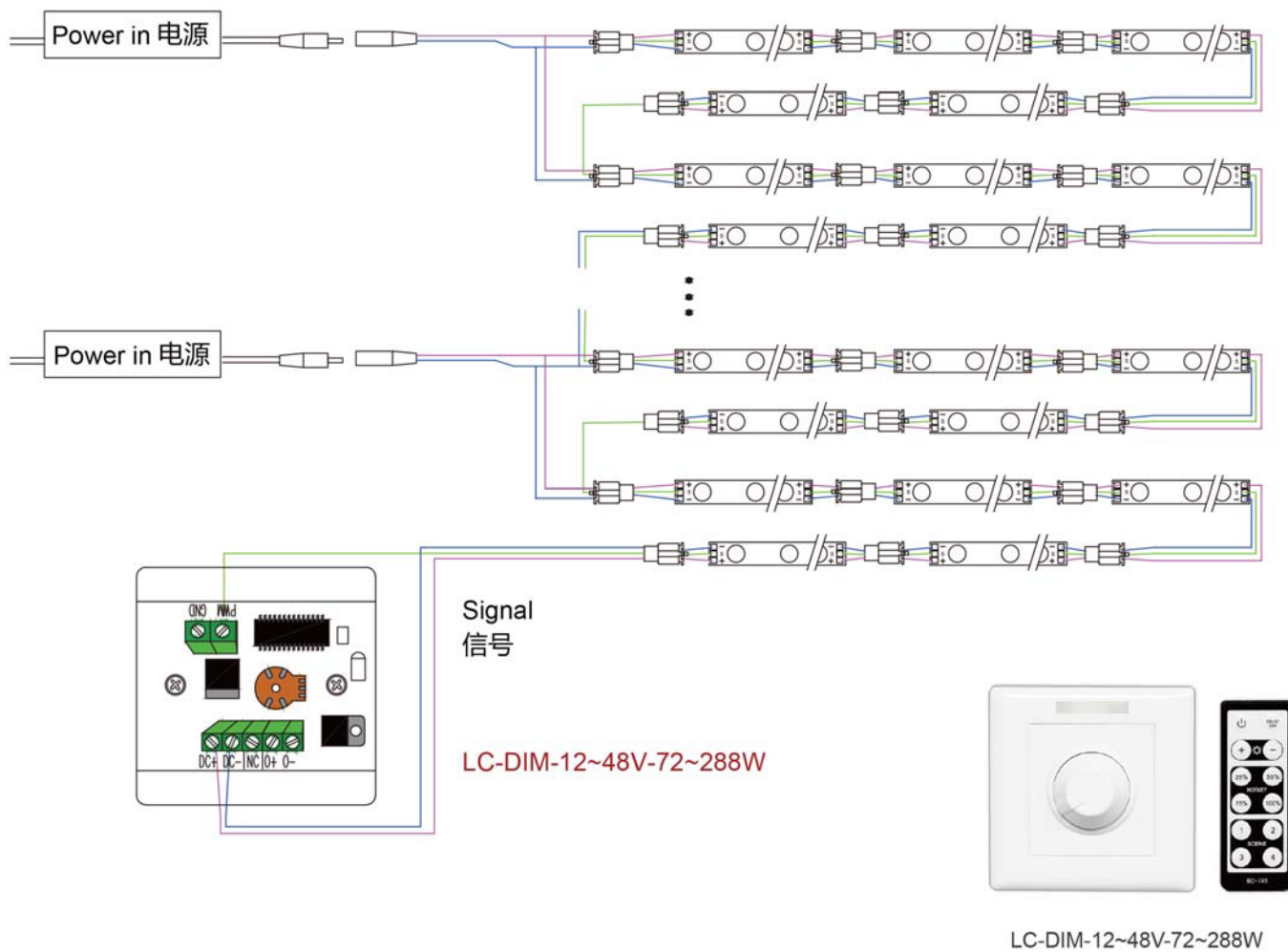
Dimming mode as below , without the dimmer ,LED strip will work none dimmable

此款灯条可选调光和不调光方式选择，调光方式见下图，不调光直接去掉调光器即可

##### ①Connection mode if less than 5 LED strips/5 条以内的灯条连接图



② Connection mode if more than 5 LED strips/超过 5 条以上的灯条连接图



## 5.LED 参数 Features

项目 Item	参数 Parameter
LED 组合方式 LED compound mode	5 串 1 并 5 Cascade 1 parallel
最小截断尺寸 Minimum truncation size	---
灯珠(中心)间距 Lamp bead (center) spacing	80mm
LED 型号 LED Part No	LED3535
LED 芯片 LED Chip No	LP
LED 电流 LED current	1500mA
LED 波长或 (波长) Tc (k) Or Wavelength $\lambda$ (nm)	6000K-7000K
LED 颜色 LED Color	正白 White
LED 流明 LED lumen	110 lm/W





## 6.技术要求 Technical Request

序号 NO	项目 Item	单位 Units	参数范围 Parameter range
1	工作环境温湿度 working environment	℃	-20~50 30%-70%
2	储存条件温湿度 storage condition	℃	-20~50 30%-70%
3	工作频率 work frequency	Hz	50/60Hz
4	工作电压范围 work voltage range	V	24V±0.5
5	最大输入电流 Max input current	mA	612±10%
6	功耗 output power	W	15±10%
7	LED 流明 LED LUMEN	LM	1622±10%

## 7.适用范围及特点 Characteristics and range of application

适用于户内的 LED 照明、装饰及灯箱制作。此灯条可以多条进行拼接，在安装时非常简单和方便。

Suitable for indoor and outdoor LED lighting and decoration, and the assembly of slim light boxes.

This series of LED strips can be spliced. They are very easy and convenient to install.



## 8. 注意事项 Notice

本产品只具备基本的散热功能。

This product has basic function of heat dissipation

1. 基本使用时，需将灯条固定于铝型材上使其充分的散热。

1. When using: pls fixed the led strip on the aluminum profile to assure heat dissipation well

2. 无铝边框时，须使用条形散热器，尺寸需大于 23mm 宽 8mm 厚的翅片式散热器

Without aluminum frame, must use the heat sink.

Dimension of heat sink: width: more than 23mm thickness: 8mm shape: like the wings

Size need more than 23mm width multiply 8mm heat sink

## 9. 使用说明 Use manual

\*请先仔细阅读产品规格书,确认其使用环境是否符合规格书上的条件,方可放心使用.

**Please read the specification first to make sure the using condition is fit.**

\*将产品接入电源时,请先确保开关处于闭合状态.

**Please shut off the switch before onnect the product, then turn on.**

\*本产品仅限于室内使用.

**.Indoor use only.**



## 10.命名规则 How to name:

我司灯条类产品分为4个类型: We have four main led strip products

- 1.EM 侧光大功率类 EM Led Strip, High Power LED Strip
2. BM 背光源大功率 (直下式灯条) BM Led Strip, Backlight LED Strip
3. LM 模组类 LM Led Strip, LED Module
4. SM 普通类型 SM Led Strip, Ordinary Led Strip
- 5.DM 闪动屏 LED flashing screen

灯条命名规则解析: How to name

EM-LED-ALS-24V-1W23-3535-470-9-YT1339-3D0-XPG-N



更多 LED 产品参见网站链接

More LED products checked website links.

[www.edgelight.com](http://www.edgelight.com)

