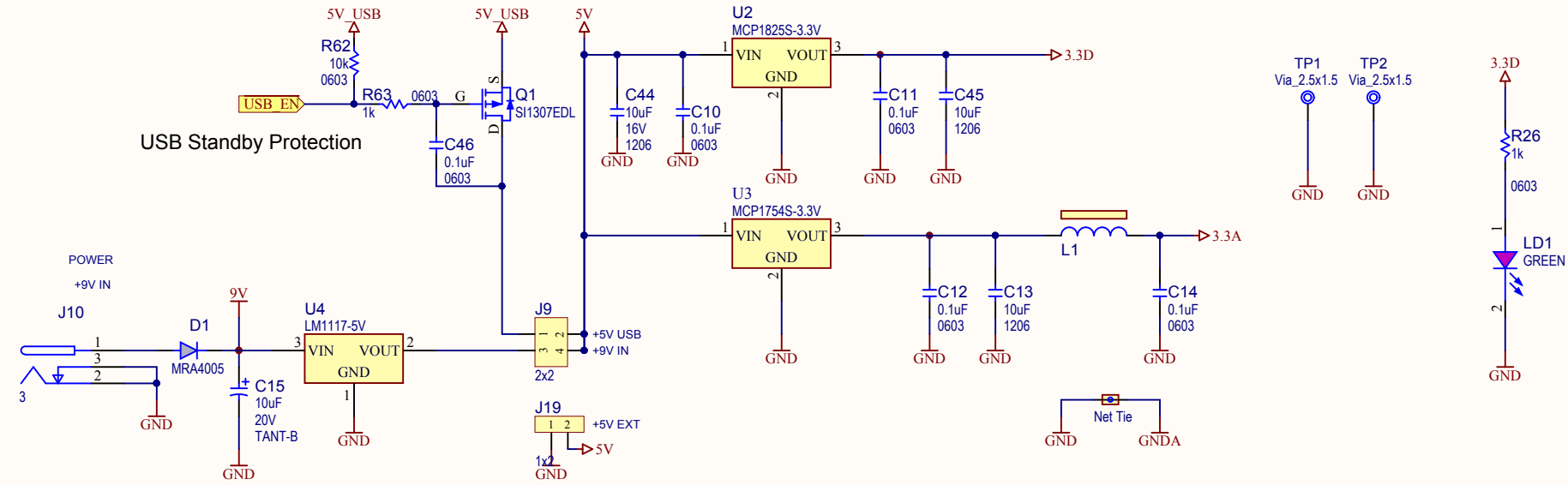



REV	ECO #	DESCRIPTION	DATE

POWER

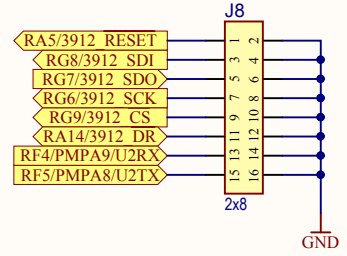
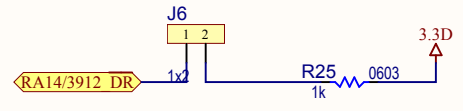
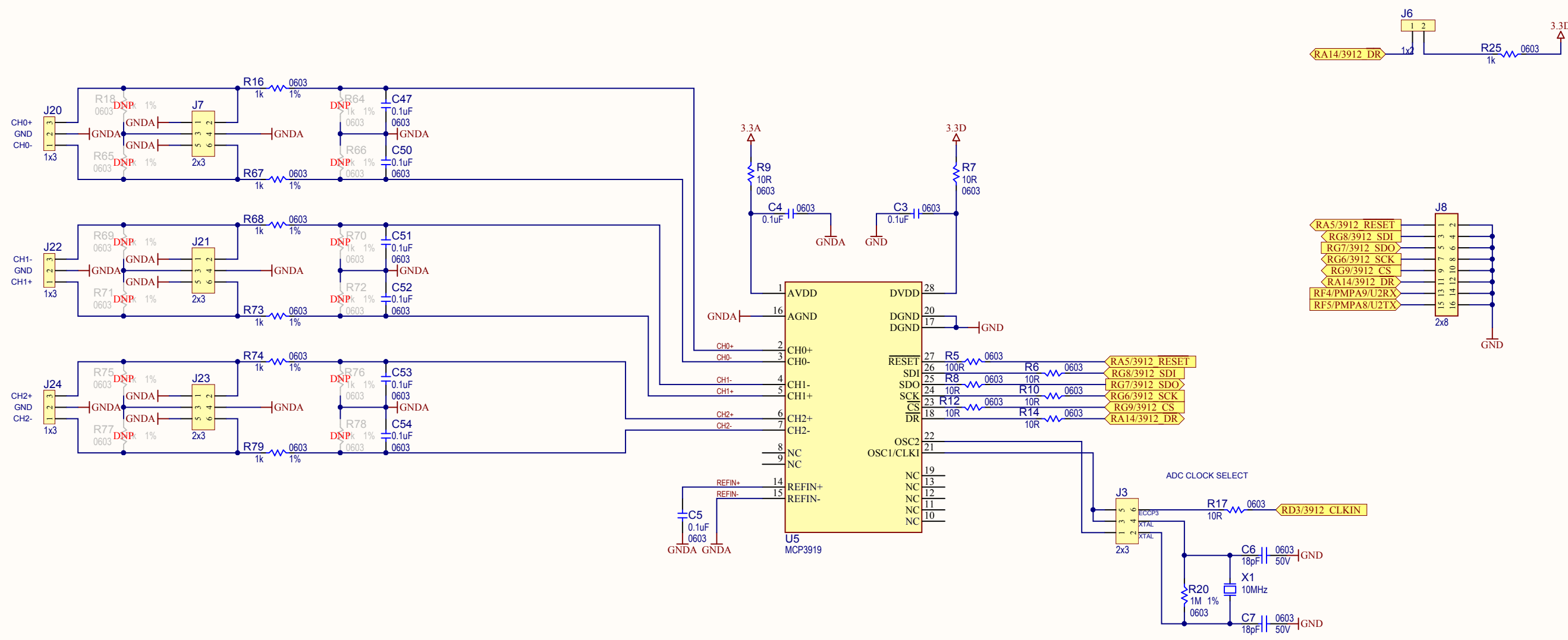


- PAD1
4 Bump Hemispherical Black
- JP1
12 Shunt 2.54mm 1x2 Handle

Drawn By: Adrian Bostan	
Engineer: Andrei Hapenciu	
Project Title MCP3919 Eval Board	
Sheet Title Power	
Size B	Sch #:03-10335 Revision:2
Date: 8/26/2014 4:17:51 PM	Sheet 1 of 4
File: D01-Power.SchDoc	
<i>Designed with</i> Altium Altium.com	

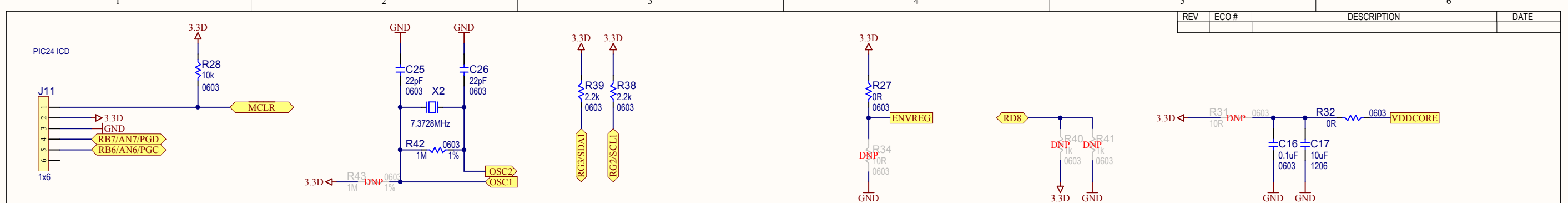
REV	ECO #	DESCRIPTION	DATE
-----	-------	-------------	------

ADC



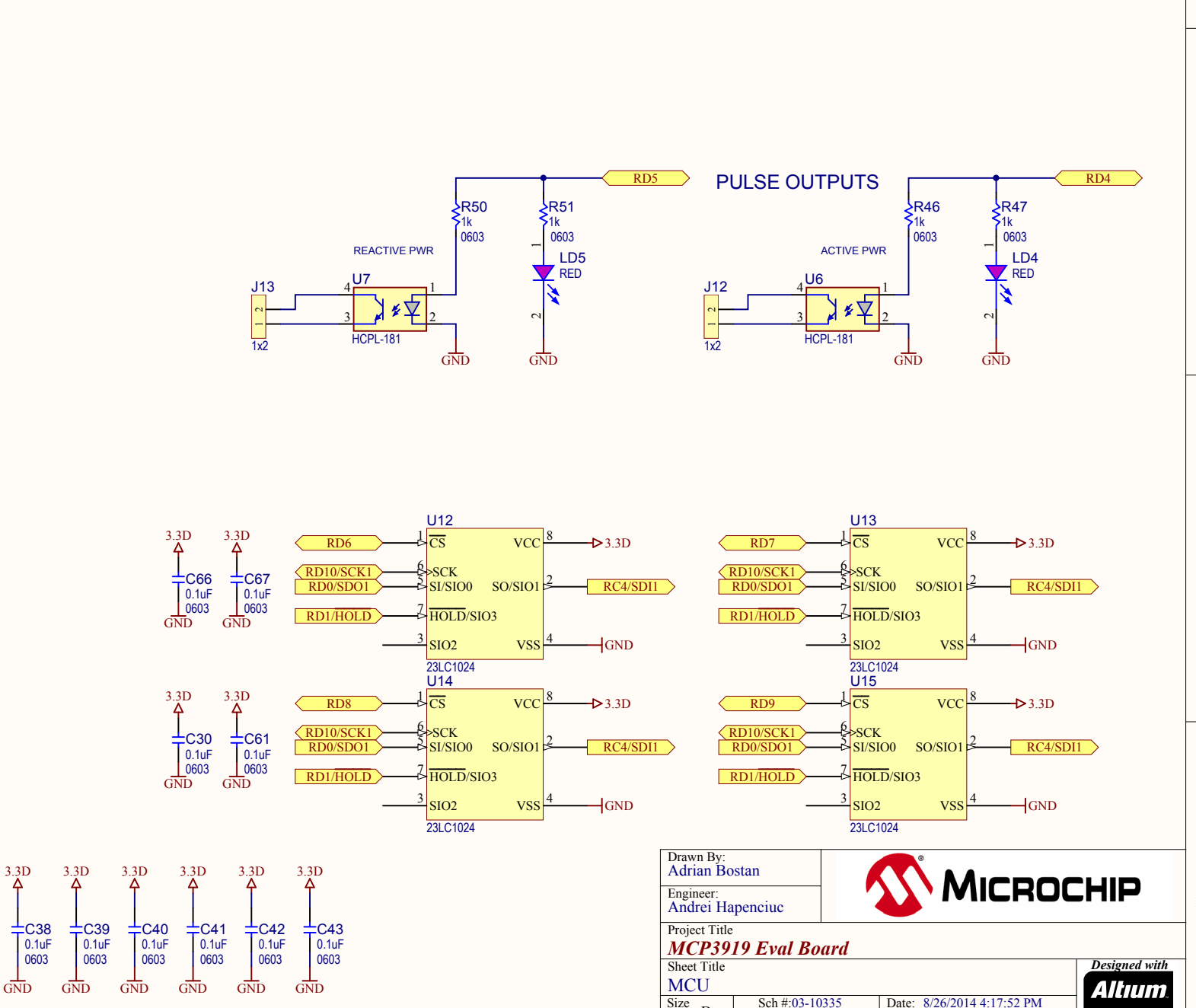
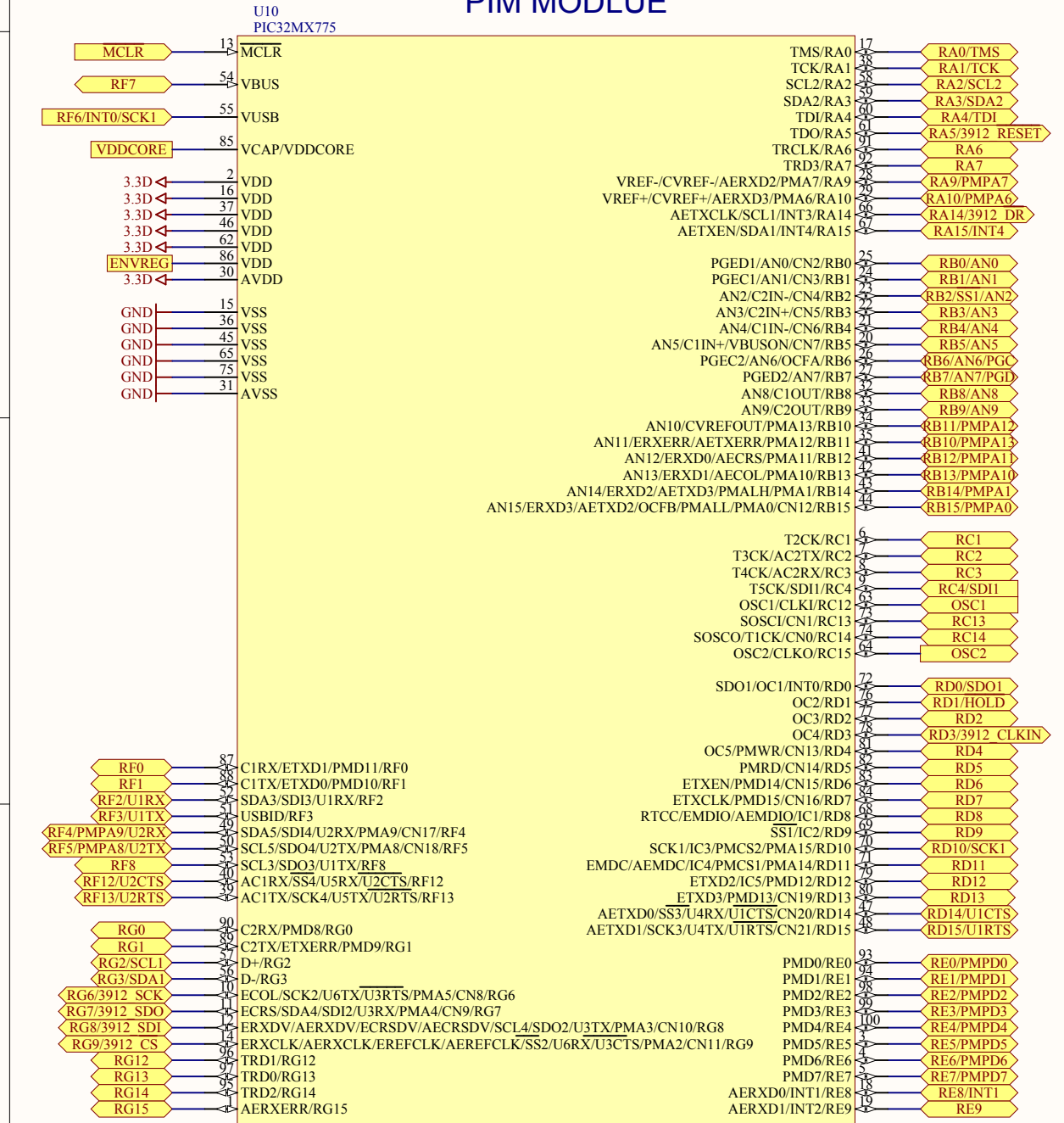
Drawn By: Adrian Bostan		
Engineer: Andrei Hapenciu		
Project Title MCP3919 Eval Board		
Sheet Title ADC		
Size B	Sch #:03-10335 Revision:2	Date: 8/26/2014 4:17:51 PM Sheet 2 of 4
File: D02 - ADC.SchDoc		

Designed with Altium
Altium.com



REV	ECO #	DESCRIPTION	DATE

PIM MODLUE



Drawn By:
Adrian Bostan

Engineer:
Andrei Hapenciu

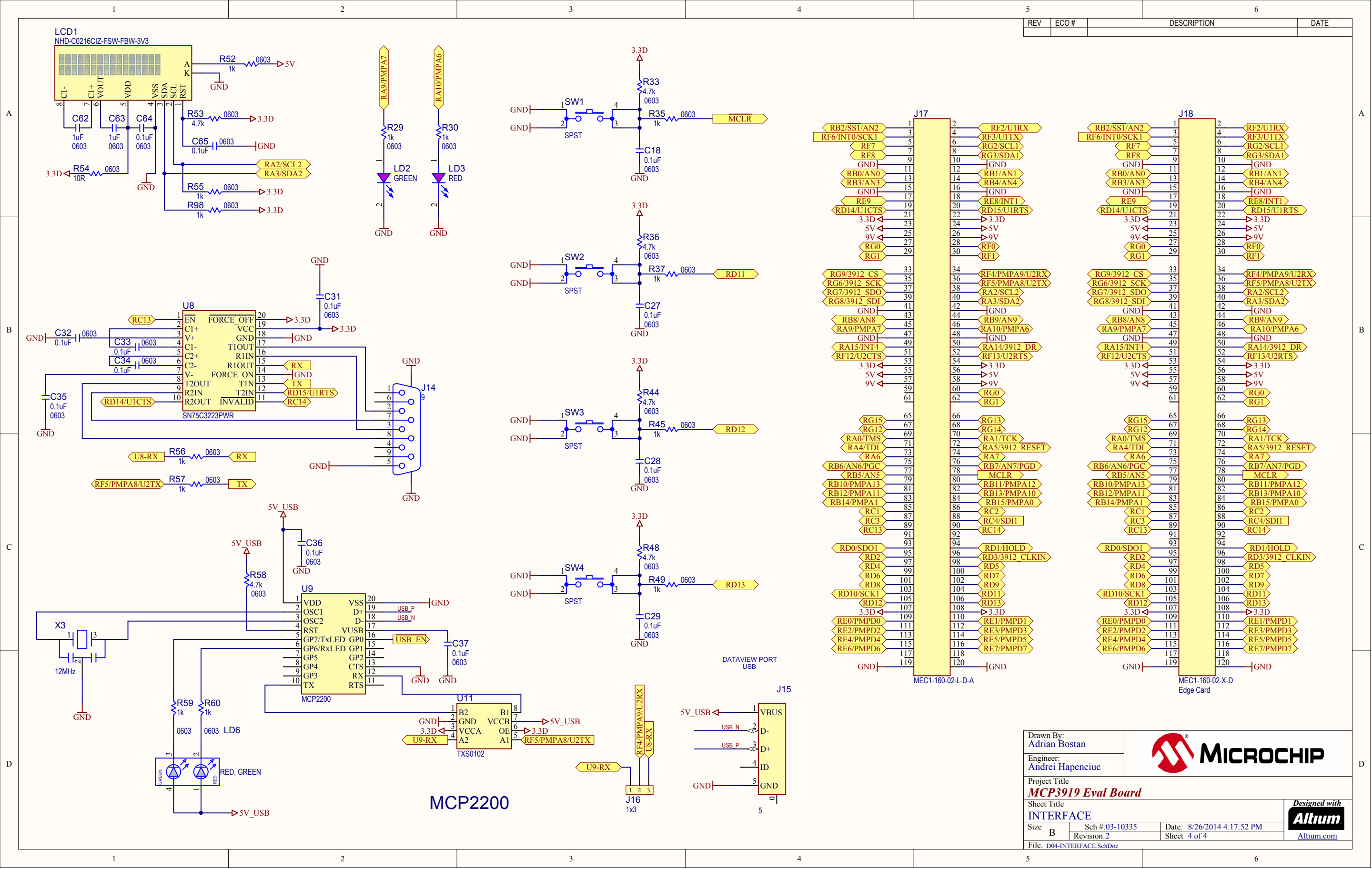


Project Title
MCP3919 Eval Board

Sheet Title MCU	Size B	Sch #: 03-10335	Date: 8/26/2014 4:17:52 PM
Revision: 2	Sheet 3 of 4	Designed with Altium Altium.com	

File: D03-MCU.SchDoc

REV	ECO #	DESCRIPTION	DATE



Drawn By: Adrian Bostan	
Engineer: Andrei Hapenciu	
Project Title MCP3919 Eval Board	
Sheet Title INTERFACE	
Size: B	Sch #: 03-10335
Date: 8/26/2014 4:17:52 PM	Sheet 4 of 4
File: D04-INTERFACE.SchDoc	
Designed with 	