

REV.	DESCRIPTION	DATE	APPROVED
T	31154 REDRAWN, FIND NOS 12 & 13 ADDED	96/10/07	RS

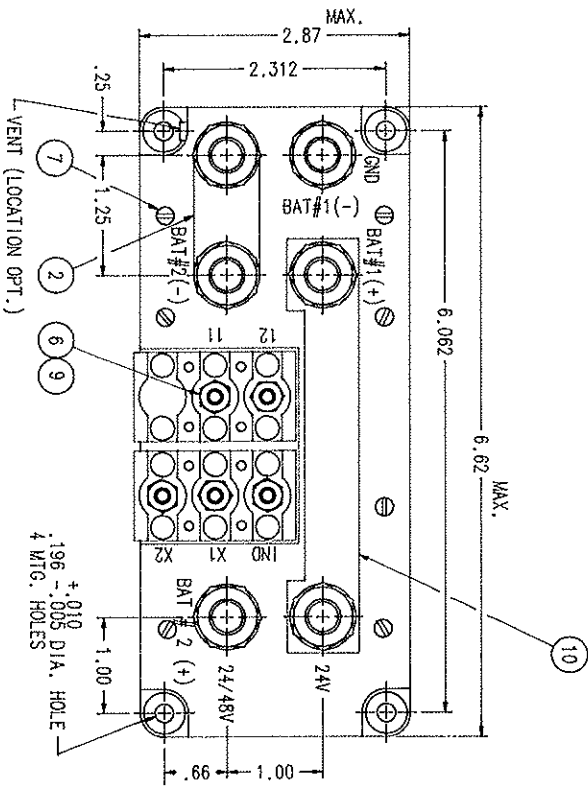
FAA/PMA

REVISIONS

RELEASED 15/08/19

CONSTRUCTION
 MAIN CONTACTS
 CONFIGURATION
 VOLTAGE
 CURRENT-N.C.
 N.O.

GASKET SEALED (VENTED)
 DPST-NC, SPST-NO
 24/48 VDC
 300 AMP
 1000 AMP FOR 30 SEC
 1500 AMP INRUSH
 CARRY AND BREAK ONLY

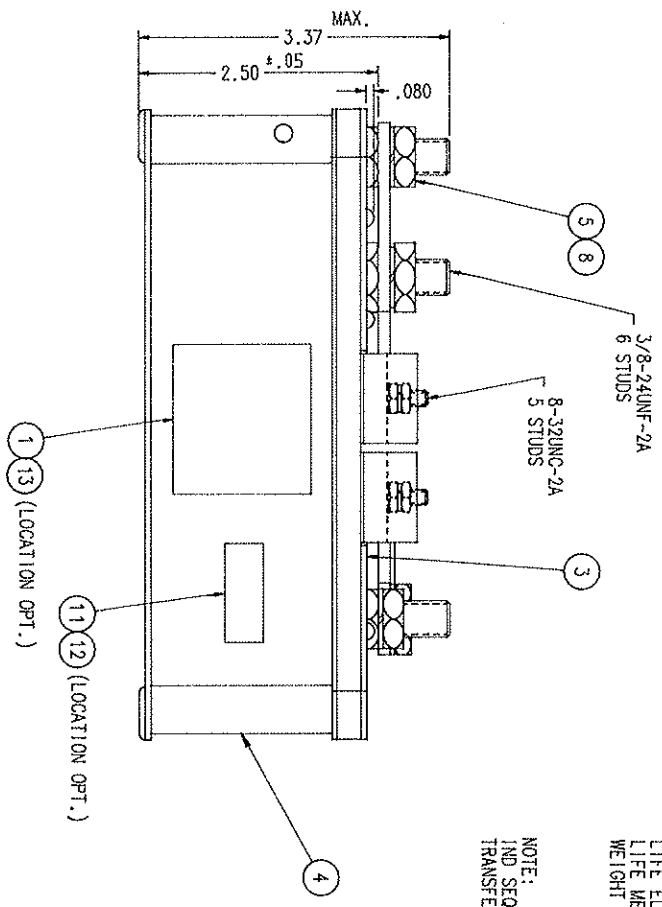
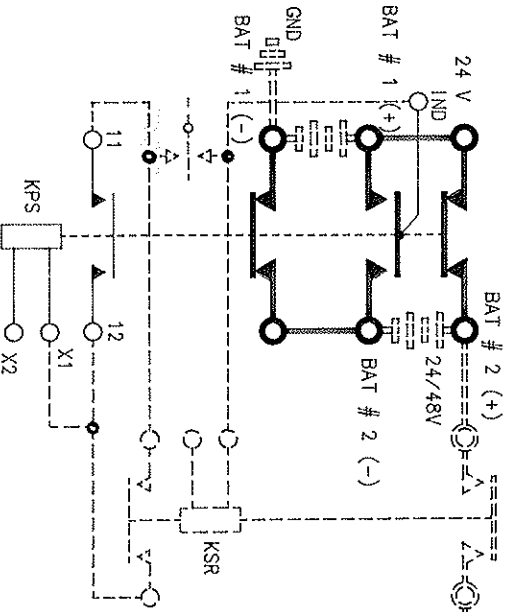


AUXILIARY CONTACTS
 CONFIGURATION
 VOLTAGE
 CURRENT
 COIL DATA
 VOLTAGE
 PICKUP MAX
 DROPOUT
 DUTY

LIFE ELECTRICAL
 LIFE MECHANICAL
 WEIGHT MAX. (EST.)

ENVIRONMENTAL DATA
 AMBIENT TEMPERATURE

NOTE:
 IND SEQUENCES KSR TO DROPOUT AFTER KPS
 AND TRANSFERS BATTERIES BACK TO PARALLEL



REF.	FIND NO	QTY	RECD	PART OR IDENTIFYING NO	DESCRIPTION OR NOMENCLATURE OR IDENTIFYING NO	ESCAL NO	DRAWING OR SPECIFICATION	MATERIAL OR NOTE
	13	1		39529-001	OVERLAY			
	12	1		39529-024	OVERLAY			
	11	1		58400-016	PLATE-FAA/PMA			
	10	1		33111-001	JUMPER-BUS BAR			
	9	5		51808-064	WASHER-LOOK-NO. 8 SPLIT		ANS3588	BRONZE
	8	6		51807-084	WASHER-LOOK-3/8 X .688 X .094 SPLIT		ANS358616	BRONZE
	7	7		51200-020	SCREW-NO. 4 X 1/4 PAN HD. SHEETMETAL			S STEEL
	6	5		50408-034	NUT-8-32 X 5/16 X 3/32 HEX			BRASS
	5	6		50407-164	NUT-3/8-24 X 5/8 X 7/32 HEX			BRASS
	4	1		33120-010	CONTACTOR ASSEMBLY-PRIMARY			
	3	1		33108-001	PLATE-BASE COVER			
	2	1		16704-004	BAR-BUS			
	1	1		16043-001	PLATE-NAME			

UNLESS OTHERWISE SPECIFIED
 DIMENSIONS ARE IN INCHES
 TOLERANCES ON

2 PL. DEC. 3 PL. DEC. ANGLES

SCALE NONE

SIZE CODE IDENT DWG NO. A-848KH

74063

BATTERY PARALLEL-SERIES
 CONTACTOR 300 AMP, 24 VDC

HARTMAN ELECTRICAL MANUFACTURING
 MANSFIELD, OHIO