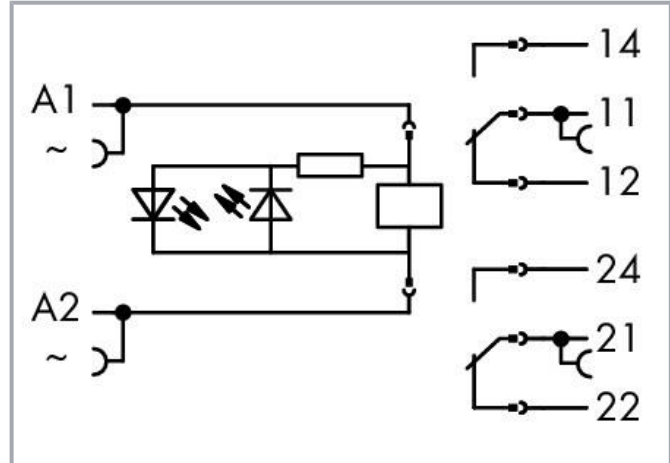
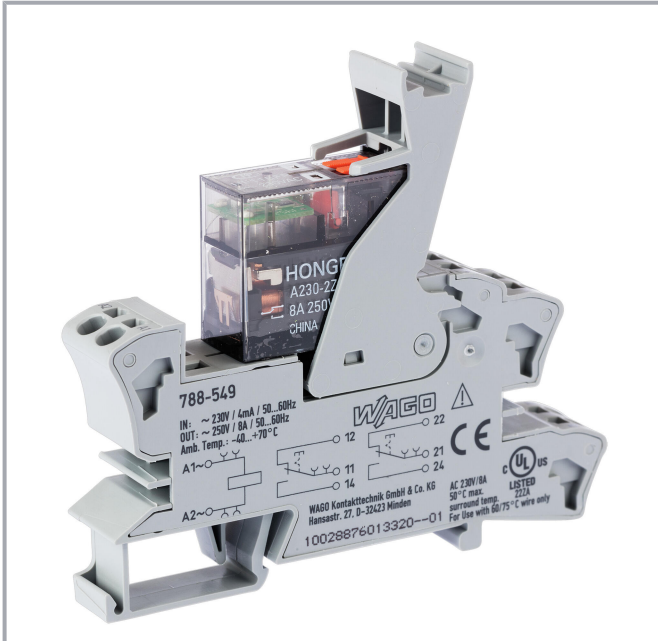


Data sheet | Item number: 788-549

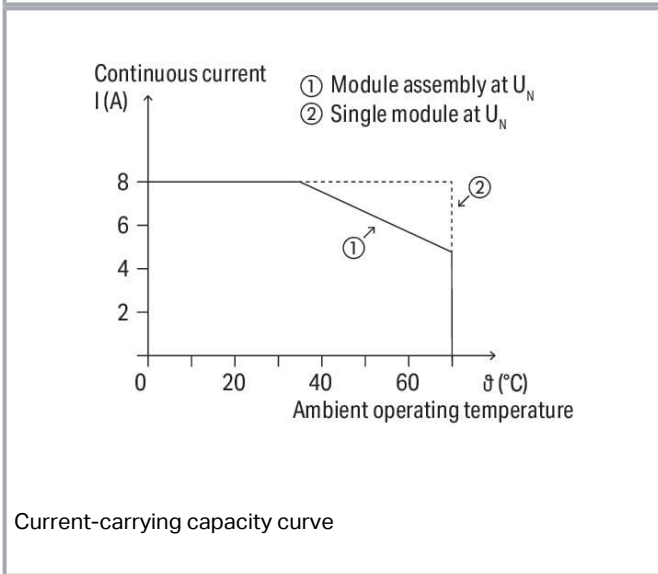
Relay module; Nominal input voltage: 230 VAC; 2 changeover contacts;
 Limiting continuous current: 8 A; with manual operation; Red status indicator;
 Module width: 15 mm



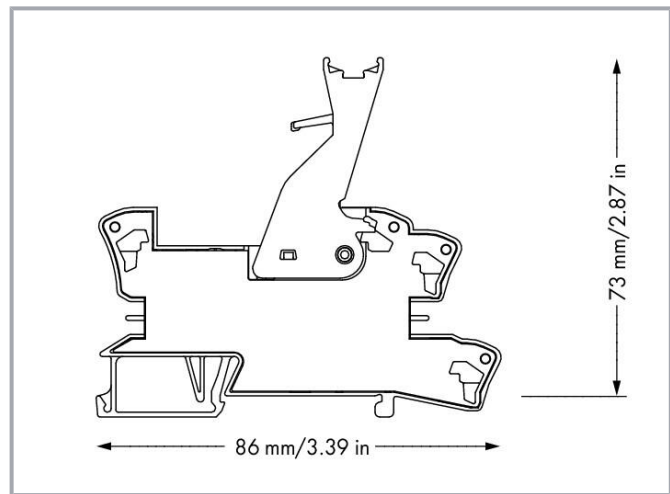
www.wago.com/788-549



Similar to picture



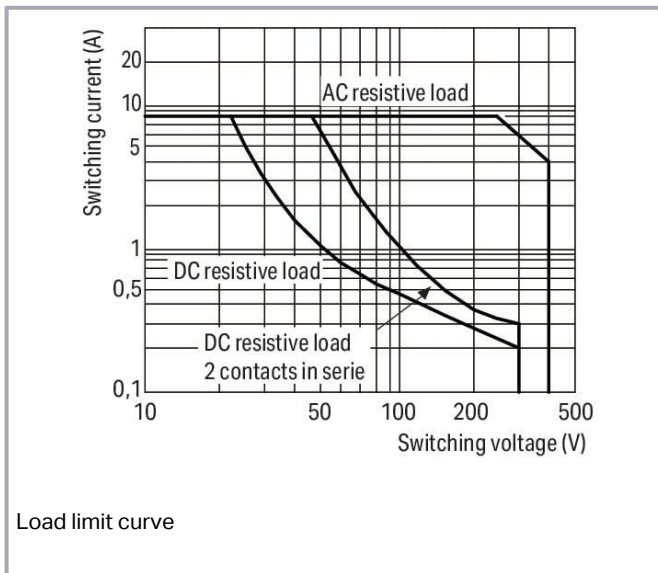
Current-carrying capacity curve



Subject to changes. Please also observe the further product documentation!

WAGO GmbH & Co. KG
 Hansastr. 27
 32423 Minden
 Phone: +49571 887-0 | Fax: +49571 887-169
 Email: info.de@wago.com | Web: www.wago.com

Do you have any questions about our products?
 We are always happy to take your call at +49 (571) 887-44222.



Data

Notes

Safety information

A separator plate (e.g., 209-191) must be used for voltages greater than 250 V between adjacent relay modules and for compliance with the reinforced insulation requirements.

Note

- Reinforced insulation between coil and contacts
- To protect the relay coils and contacts, inductive loads must be dampened with an effective protection circuit.

Technical data

Control Circuit

| | |
|--------------------------------|-------------|
| Nominal input voltage U_N | AC 230 V |
| Input voltage range | $\pm 10 \%$ |
| Nominal input current at U_N | 4 mA |

Load circuit

| | |
|--|------|
| Number of changeover/switchover contacts | 2 |
| Contact material (relay) | AgNi |
| Limiting continuous current | 8 A |

Subject to changes. Please also observe the further product documentation!



| | |
|--|---|
| Inrush current (resistive) max. | (AC) 16 A / 0.02 s; (AC) 12 A / 4 s |
| Switching voltage (max.) | AC 250 V |
| Switching power (resistive) max. | AC 2000 VA; DC (see load limit curve) |
| Switching capacity | AC-15: 1.5 A / AC 240 V; DC-13: 1 A / DC 24 V |
| Recommended minimum load | 12 V / 10 mA |
| Pull-in time (typ.) | 15 ms |
| Drop-out time (typ.) | 8 ms |
| Bounce time (typ.) | 7 ms |
| Electrical life (NO; resistive load; 23 °C) | 10 x 10 ³ switching operations |
| Mechanical life | 5 x 10 ⁶ switching operations |
| Switching frequency with/without load (max.) | 6 min ⁻¹ / 300 min ⁻¹ |

Signaling

| | |
|------------------|-----------------------|
| Status indicator | Red LED Mechanical |
|------------------|-----------------------|

Safety and protection

| | |
|--|---|
| Rated voltage | 250 V |
| Rated surge voltage | 4 kV |
| Pollution degree | 3 |
| Dielectric strength (control/load circuit) (AC, 1 min) | 5 kVrms |
| Dielectric strength (open contact) (AC, 1 min) | 1 kVrms |
| Dielectric strength (load/load circuit) (AC, 1 min) | 2.5 kVrms |
| Safety information | A separator plate (e.g., 209-191) must be used for voltages greater than 250 V between adjacent relay modules and for compliance with the reinforced insulation requirements. |
| Protection type | IP20 |

Connection data

| | |
|-------------------------|--|
| Connection technology | Push-in CAGE CLAMP® |
| Solid conductor | 0.34 ... 2.5 mm ² / 22 ... 14 AWG |
| Fine-stranded conductor | 0.34 ... 2.5 mm ² / 22 ... 14 AWG |
| Strip length | 9 ... 10 mm / 0.35 ... 0.39 inches |

Physical data

| | |
|-------|----------------------|
| Width | 15 mm / 0.591 inches |
|-------|----------------------|

Subject to changes. Please also observe the further product documentation!



| | |
|-----------------------------------|----------------------|
| Height | 86 mm / 3.386 inches |
| Depth from upper-edge of DIN-rail | 73 mm / 2.874 inches |

Mechanical data

| | |
|---------------|-------------|
| Mounting type | DIN-35 rail |
|---------------|-------------|

Material Data

| | |
|-----------|----------|
| Fire load | 0.669 MJ |
| Weight | 46 g |

Environmental requirements

| | |
|--|--|
| Ambient temperature (operation at U_N) | -40 ... +70 °C |
| Ambient temperature UL (operation at U_N) | -40 ... +50 °C |
| Ambient temperature (storage) | -40 ... +70 °C |
| Processing temperature | -25 ... +50 °C |
| Temperature range of connection cable | $\geq (T_{\text{ambient}} + 20 \text{ K})$ |

Standards and specifications

| | |
|--------------------------|--|
| Standards/specifications | EN 61010-2-201 EN 61810-1 EN 61373 UL 508 |
|--------------------------|--|

Basic relay

| | |
|------------------|---------|
| WAGO Basic Relay | 788-949 |
|------------------|---------|

Commercial data

| | |
|-------------------|--------------------------|
| Product Group | 6 (INTERFACE ELECTRONIC) |
| eCl@ss 10.0 | 27-37-16-01 |
| eCl@ss 9.0 | 27-37-16-01 |
| ETIM 8.0 | EC001437 |
| ETIM 7.0 | EC001437 |
| PU (SPU) | 15 (1) pcs |
| Packaging type | box |
| Country of origin | DE |

Subject to changes. Please also observe the further product documentation!



| | |
|-----------------------|---------------|
| GTIN | 4050821226802 |
| Customs tariff number | 85364900990 |

Environmental Product Compliance

| | |
|------------------------|-------------------------|
| RoHS Compliance Status | Compliant, No Exemption |
|------------------------|-------------------------|

Approvals / Certificates

General approvals

| Logo | Approval | Additional Approval Text | Certificate name |
|--|---|--------------------------|-----------------------------|
|  | EAC Brjansker Zertifizierungsstelle | TP TC 004/2011 | EAC RU C-DE.AM02.B.00122/19 |
|  | UL Underwriters Laboratories Inc. (ORDINARY LOCATIONS) | UL 508 | E175199 Vol.1 Sec. 6 |

Optional accessories

Jumpers

| Jumper | | |
|--|--|--|
|  | Item no.: 788-116 Jumper; for jumper slot; 6-way; insulated; light gray | www.wago.com/788-116 |
|  | Item no.: 788-117 Jumper; for jumper slot; 8-way; insulated; light gray | www.wago.com/788-117 |
|  | Item no.: 788-114 Jumper; for jumper slot; 3-way; insulated; light gray | www.wago.com/788-114 |
|  | Item no.: 788-113 Jumper; for jumper slot; 2-way; insulated; light gray | www.wago.com/788-113 |
|  | Item no.: 788-115 Jumper; for jumper slot; 4-way; insulated; light gray | www.wago.com/788-115 |
|  | Item no.: 859-402 Jumper; for jumper slot; 2-way; insulated; light gray | www.wago.com/859-402 |
|  | Item no.: 788-118 Jumper; for jumper slot; 2-way; from 1 to 3; insulated; light gray | www.wago.com/788-118 |

Subject to changes. Please also observe the further product documentation!

Tool

Operating tool



Item no.: 210-720
Operating tool; Blade: 3.5 x 0.5 mm; with a partially insulated shaft; multicoloured

www.wago.com/210-720

Basic Relay

Suppressor module



Item no.: 788-148
Filter module; RC filter element; Nominal voltage: 230 VAC

www.wago.com/788-148

Marking accessories

Marking strip



Item no.: 2009-110
Marking strips; for Smart Printer; on reel; not stretchable; plain; snap-on type; white

www.wago.com/2009-110

Double marker carrier



Item no.: 209-128
Adaptor; gray

www.wago.com/209-128

Marking devices



Item no.: 210-110
Fiber-tip pen

www.wago.com/210-110

Protective marker cover



Item no.: 209-184
Protection cover; transparent

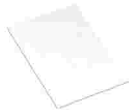
www.wago.com/209-184

Marker



Item no.: 2009-115
WMB-Inline; for Smart Printer; 1500 pieces on roll; stretchable 5 - 5.2 mm; plain; snap-on type; white

www.wago.com/2009-115



Item no.: 209-183
Marker; white

www.wago.com/209-183



Item no.: 793-501
WMB marking card; as card; not stretchable; plain; snap-on type; white

www.wago.com/793-501



Item no.: 793-502
WMB marking card; as card; MARKED; 1 ... 10 (10x); not stretchable; Horizontal marking; snap-on type; white

www.wago.com/793-502





Item no.: 793-503
WMB marking card; as card; MARKED; 11 ... 20 (10x); not stretchable; Horizontal marking; snap-on type; white

www.wago.com/793-503

Item no.: 793-504


Subject to changes. Please also observe the further product documentation!

 WMB marking card; as card; MARKED; 21 ... 30 (10x); not stretchable; Horizontal marking; snap-on type; www.wago.com/793-504
white

 **Item no.: 793-505**
WMB marking card; as card; MARKED; 31 ... 40 (10x); not stretchable; Horizontal marking; snap-on type; www.wago.com/793-505
white


Group marker carrier


 **Item no.: 209-145**
Group marker carrier; white www.wago.com/209-145


 **Item no.: 249-105**
Group marker carrier; gray www.wago.com/249-105


Ferrule


Ferrule

 **Item no.: 216-241**
Ferrule; Sleeve for 0.5 mm² / 20 AWG; insulated; electro-tin plated; electrolytic copper; gastight crimped; acc. to DIN 46228, Part 4/09.90; white www.wago.com/216-241

 **Item no.: 216-242**
Ferrule; Sleeve for 0.75 mm² / 18 AWG; insulated; electro-tin plated; electrolytic copper; gastight crimped; acc. to DIN 46228, Part 4/09.90; gray www.wago.com/216-242


 **Item no.: 216-243**
Ferrule; Sleeve for 1 mm² / AWG 18; insulated; electro-tin plated; electrolytic copper; gastight crimped; acc. to DIN 46228, Part 4/09.90; red www.wago.com/216-243

 **Item no.: 216-244**
Ferrule; Sleeve for 1.5 mm² / AWG 16; insulated; electro-tin plated; electrolytic copper; gastight crimped; acc. to DIN 46228, Part 4/09.90; black www.wago.com/216-244

 **Item no.: 216-542**
Twin ferrule; Sleeve for 2 x 1 mm² / AWG 2 x 18; red, insulated; 12 mm long; red www.wago.com/216-542
Image coming soon

Indicators

Status indication

 **Item no.: 788-125**
Accessories for relay modules; Operation status indicator: red www.wago.com/788-125

Downloads

Documentation

Bid Text

| | | | |
|---------|-------------|-----|----------|
| 788-549 | 2019 Feb 19 | xml | Download |
|---------|-------------|-----|----------|

Subject to changes. Please also observe the further product documentation!



| | | | | |
|---|------------------------|------|---------|----------|
| X81 - Datei | | | 5.1 kB | |
| 788-549 docx - Datei | 2019 Jan 25 | docx | 17.2 kB | Download |
| Instruction Leaflet | | | | |
| Sockets with Elementary Relay/ SSR | V 1.0.1 2020 Oct 9 | pdf | 2.3 MB | Download |
| Additional Information | | | | |
| Disposal and Recycling Electrical and electronic equipment, Batteries, Packaging | V 1.1.0 2022 Aug 18 | pdf | 2.2 MB | Download |

CAD/CAE-Data

CAD data

| | | | |
|----------------------|--|-----|----------|
| 2D/3D Models 788-549 | | URL | Download |
|----------------------|--|-----|----------|

CAE data

| | | | |
|---------------------------|--|-----|----------|
| EPLAN Data Portal 788-549 | | URL | Download |
|---------------------------|--|-----|----------|

| | | | |
|------------------------|--|-----|----------|
| WSCAD Universe 788-549 | | URL | Download |
|------------------------|--|-----|----------|

| | | | |
|----------------------|--|-----|----------|
| ZUKEN Portal 788-549 | | URL | Download |
|----------------------|--|-----|----------|

Environmental Product Compliance

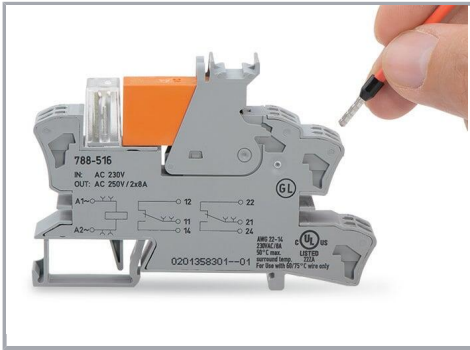
Compliance Search

| | | | |
|---|--|-----|----------|
| Environmental Product Compliance 788-549 Relay module; Nominal input voltage: 230 VAC; 2 changeover contacts; Limiting continuous current: 8 A; with manual operation; Red status indicator; Module width: 15 mm | | URL | Download |
|---|--|-----|----------|

Installation Notes

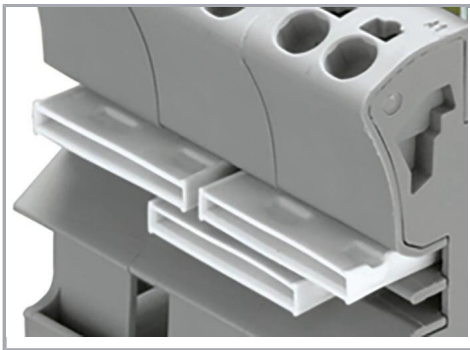
Conductor termination

Subject to changes. Please also observe the further product documentation!



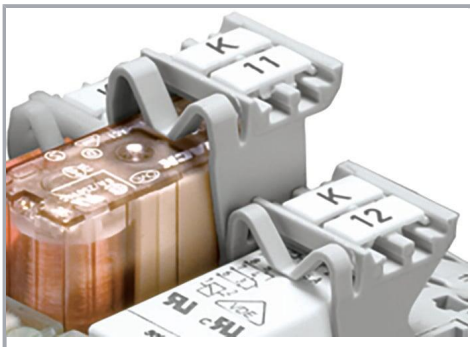
Conductor termination

Commoning



Easy commoning using adjacent jumpers

Marking



Marking using WMB Multi markers and group marker carriers.

Subject to changes. Please also observe the further product documentation!