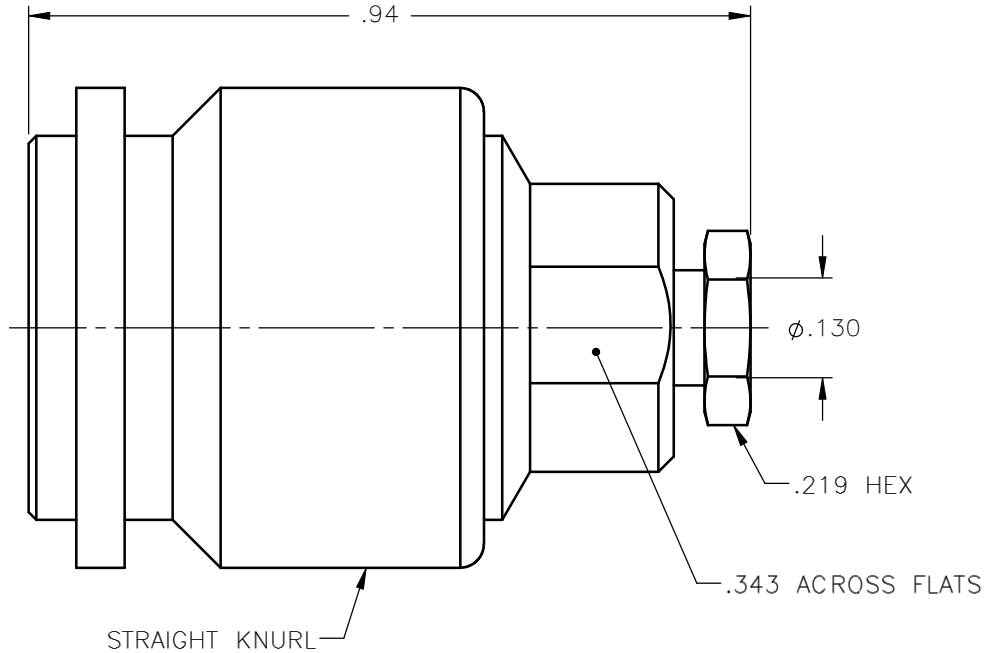


REVISIONS			
REV.	DESCRIPTION	DATE	APPROVED
A	INITIAL RELEASE	08/16/10	A.D.M.




NOTES:

MATERIALS:

1. FERRULE & SNAP RING = BERYLLIUM COPPER PER ASTM B196, ALLOY C17300, TEMPER TD04.
2. INSULATORS = VIRGIN WHITE TEFLON PER ASTM D1710, GRADE 1, TYPE I, CLASS "B".
3. GASKET = SILICONE RUBBER PER MIL-R-5847.
4. ALL OTHER METAL PARTS = BRASS PER ASTM B16, ALLOY C36000, TEMPER H02.

FINISHES:

1. CONTACT = GOLD PLATE PER MIL-G-45204, TYPE II, CLASS 1, GRADE C, OVER .00010 TO .00020 STRESS FREE SULFAMATE NICKEL PER QQ-N-290.
2. ALL OTHER METAL PARTS = GOLD PLATE PER MIL-G-45204, TYPE II, CLASS 0, GRADE C, OVER .00010 TO .00020 COPPER STRIKE PER MIL-C-14550.

UNLESS OTHERWISE SPECIFIED DIMENSIONS ARE IN INCHES TOLERANCES ON	DWN:	DATE	 Property of Radiall This document cannot be reproduced or communicated to a third party without prior written permission of RADIALL.
	A.D.M.	08/16/10	
DECIMAL	ANGLE	CHKD:	DATE
		D.N.	08/16/10
		APVD:	DATE
		J.M.	08/16/10
REFERENCE:	MATERIALS & FINISHES:		TNC STRAIGHT PLUG CLAMP TYPE FOR RG-316DS & SIMILAR CABLES
ORIGINATED: A.D.M. DATE: 08/16/10	SEE NOTES		SIZE: A FSCM NO.: 19505 DWG NO.: 6000-1051-019 SCALE: 4:1 THIRD ANGLE PROJECTION
			REV: A SHEET 1 OF 1

6000-1051-019