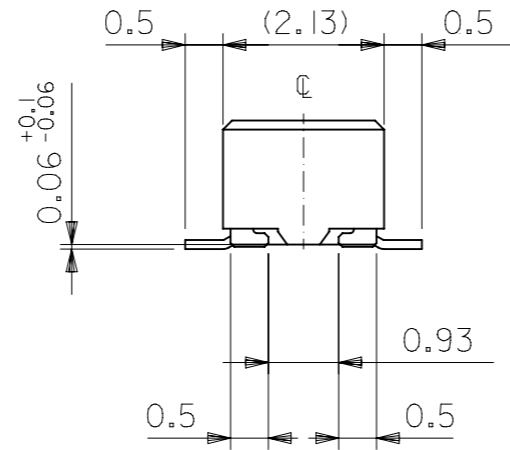
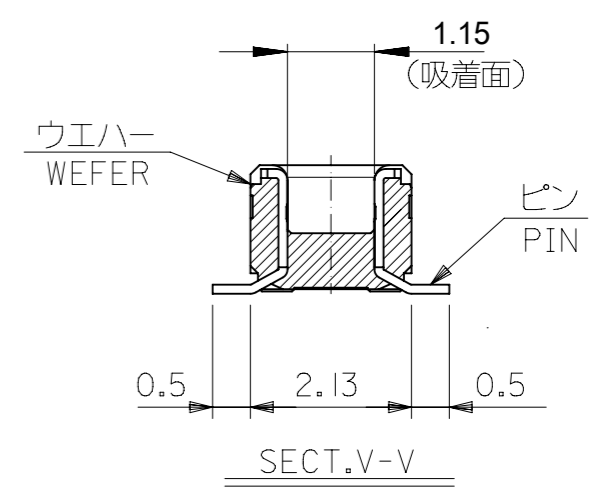


注記 NOTES:

- 使用材料 MATERIAL
 ウエハー: 液晶ポリマー (LCP) ガラス充填 UL94V-0 (黒)
 WAFER: LIQUID CRYSTAL POLYMER (GLASS FILLED)
 UL94V-0 (COLOR:BLACK)
 ピン: 黄銅 (t=0.12)
 PIN: BRASS (t=0.12)
 金具: リン青銅 (t=0.2)
 FITTING NAIL: PHOSPHOR BRONZE (t=0.2)
- メッキ仕様 PLATING
 ピン PIN
 金メッキ 0.2 マイクロメートル以上 (コンタクト部)
 GOLD 0.2MICROMETER MINIMUM (CONTACT AREA)
 金メッキ 0.4 マイクロメートル以下 (テール部)
 GOLD 0.4MICROMETER MAXIMUM (TAIL AREA)
 下地メッキ: ニッケルメッキ 1.5 マイクロメートル以上
 UNDER PLATING: NICKEL 1.5MICROMETER MINIMUM
 金具 FITTING NAIL
 錫メッキ 1.0 マイクロメートル以上
 TIN PLATING 1.0MICROMETER MINIMUM
 下地メッキ: ニッケルメッキ 1.0 マイクロメートル以上
 UNDER PLATING: NICKEL 1.0MICROMETER MINIMUM



- (全極数/2) = 偶数の場合に適用。
 APPLY FOR (CIRCUIT/2)=EVEN.
- 嵌合相手: 51338シリーズ (嵌合高さ = 2.0mm) 及び
 500913シリーズ (嵌合高さ = 2.3mm)
 MATE WITH : 51338 SERIES (HEIGHT = 2.0mm) AND
 500913 SERIES (HEIGHT = 2.3mm)
- テール平坦度は、0.08以下
 テール及び金具の平坦度は、0.1以下
 TAIL COPLANARITY TO BE 0.08MAXIMUM
 TAIL AND FITTING NAIL
 COPLANARITY TO BE 0.1 MAXIMUM
- ELV 及び RoHS 適合品
 ELV AND RoHS COMPLIANT.



17.2	15.6	18.0	501745-0801	80
15.2	13.6	16.0	501745-0701	70
13.2	11.6	14.0	501745-0601	60
12.0	10.4	12.8	501745-0541	54
11.2	9.6	12.0	501745-0501	50
9.2	7.6	10.0	501745-0401	40
7.2	5.6	8.0	501745-0301	30
3.6	2.0	4.4	501745-9901	12
C	B	A	EMBOSSED PACKAGE	CKT.
			ORDER NO. オーダー番号	
			CONNECTOR SERIES No.	501745-***0

GENERAL TOLERANCES (UNLESS SPECIFIED)

10 UNDER	±0.2
10 OVER 30 UNDER	±0.25
30 OVER	±0.3

THIS DRAWING CONTAINS INFORMATION THAT IS PROPRIETARY TO MOLEX ELECTRONIC TECHNOLOGIES, LLC AND SHOULD NOT BE USED WITHOUT WRITTEN PERMISSION

mm NTS

GENERAL TOLERANCES (UNLESS SPECIFIED)

ANGULAR TOL ± 3.0°

4 PLACES ±

3 PLACES ±

2 PLACES ±

1 PLACE ±

0 PLACES ±

DRAFT WHERE APPLICABLE MUST REMAIN WITHIN DIMENSIONS

THIRD ANGLE PROJECTION

DRAWING A3-SIZE

SERIES 501745

MATERIAL NUMBER SEE CHART

CUSTOMER GENERAL MARKET

SHEET NUMBER 1 OF 2

EC NO: 638555
 DRWN: BKBAE 2020/05/15
 CHK'D: SHCHU 2020/05/29
 APPR: SHCHU 2020/06/01

INITIAL REVISION:
 DRWN: KSAITO01 2007/03/06
 APPR: NUKITA 2007/03/06

DOCUMENT NUMBER SD-501745-001

DOC TYPE PSD

DOC PART 001

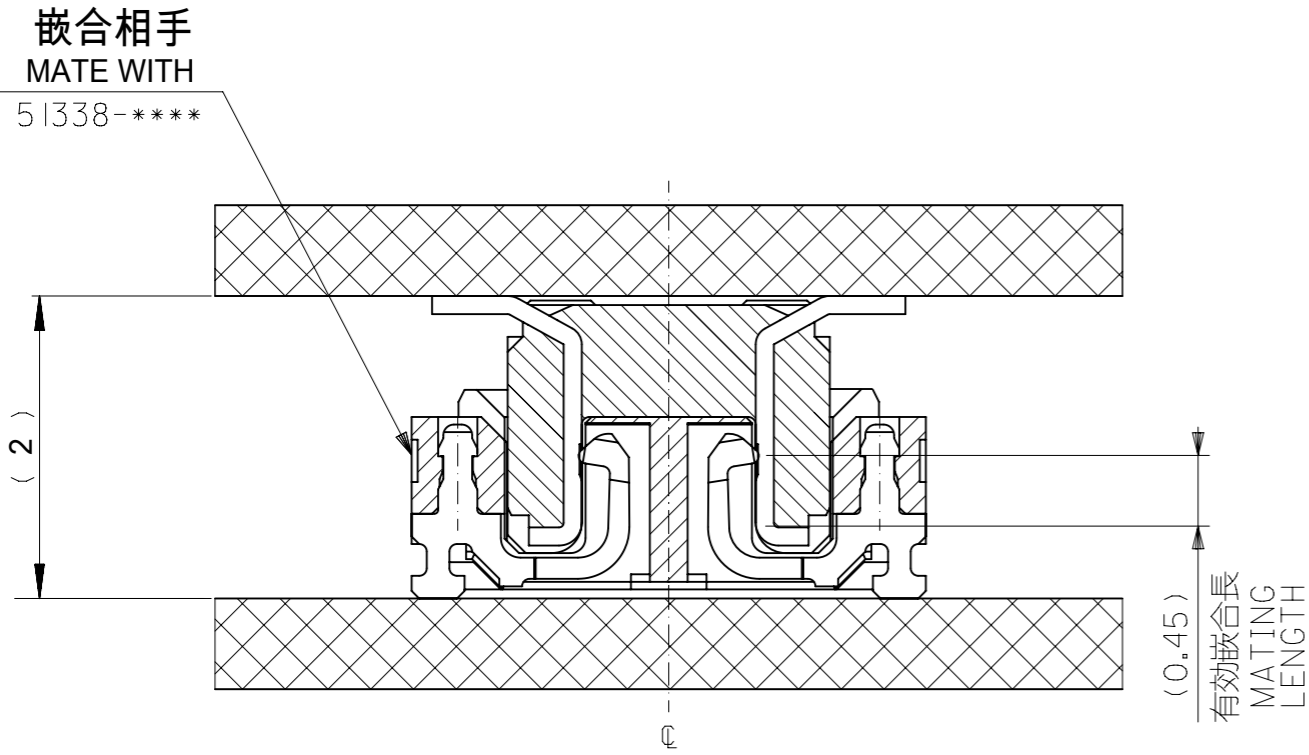
REVISION H

molex

0.4 B-TO-B CONN. H = 2.0 / 2.3
 J-BEND PLUG

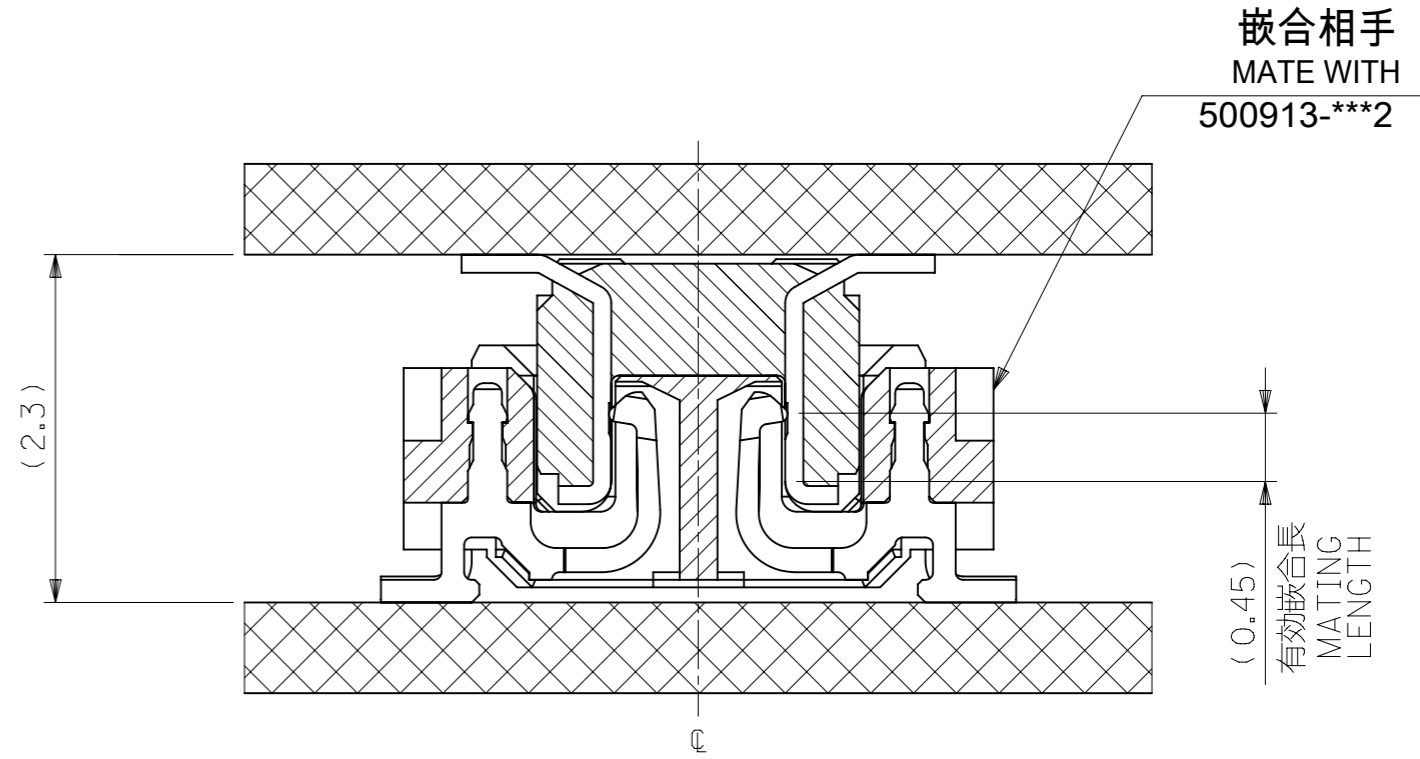
PRODUCT CUSTOMER DRAWING

MATE : 501745 WITH 51338

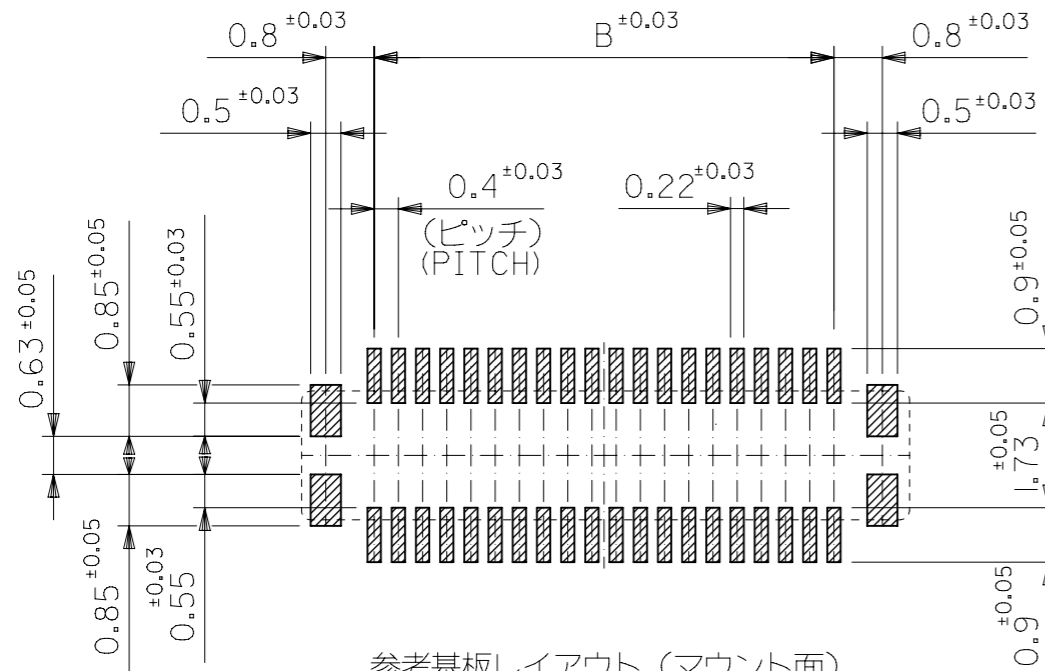


嵌合断面図 (参考)
MATED DRAWING (REFERENCE)

MATE : 501745 WITH 500913



嵌合断面図 (参考)
MATED DRAWING (REFERENCE)



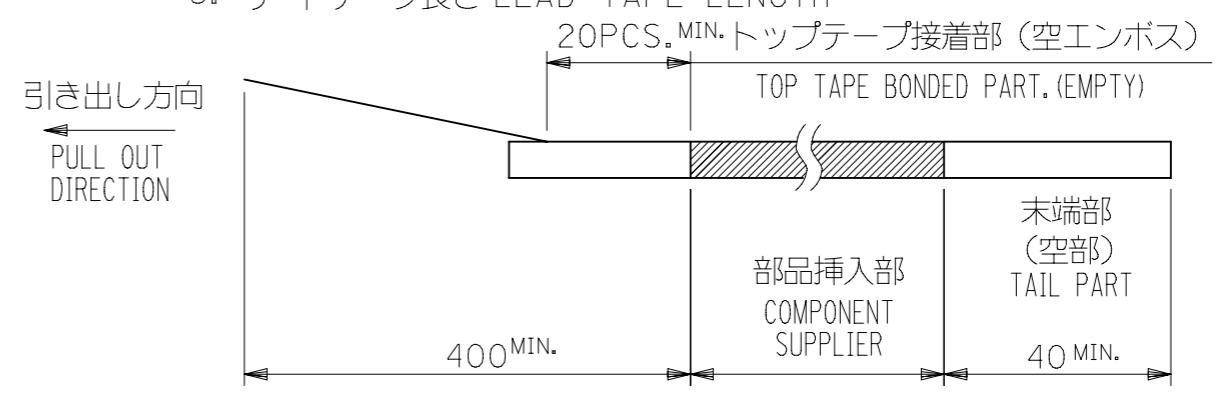
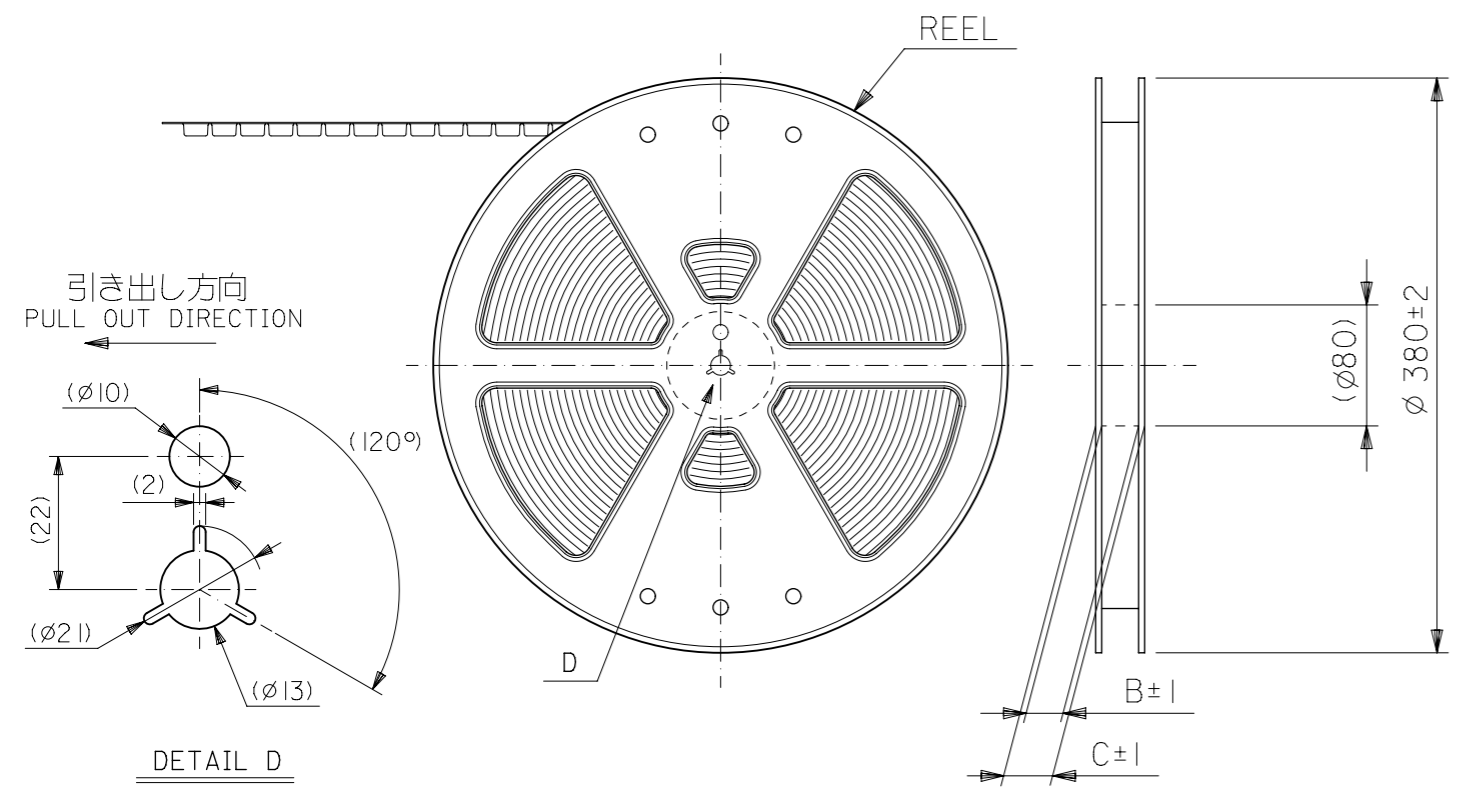
参考基板レイアウト (マウント面)
P.C.BOARD PATTERN DIMENSION.
(REFERENCE)
(MOUNTING AREA)

GENERAL TOLERANCES (UNLESS SPECIFIED)	
10 UNDER	±0.2
10 OVER 30 UNDER	±0.25
30 OVER	±0.3

THIS DRAWING CONTAINS INFORMATION THAT IS PROPRIETARY TO MOLEX ELECTRONIC TECHNOLOGIES, LLC AND SHOULD NOT BE USED WITHOUT WRITTEN PERMISSION		CURRENT REV DESC:		CONNECTOR SERIES No. 501745-***0	
DIMENSION UNITS	SCALE				
mm	NTS				
GENERAL TOLERANCES (UNLESS SPECIFIED)		0.4 B-TO-B CONN. H = 2.0 / 2.3 J-BEND PLUG			
ANGULAR TOL ± 3.0°		PRODUCT CUSTOMER DRAWING			
4 PLACES ±		EC NO: 638555		DOCUMENT NUMBER	
3 PLACES ±		DRWN: BKBAE 2020/05/15		SD-501745-001	
2 PLACES ±		CHK'D: SHCHU 2020/05/29		DOC TYPE DOC PART REVISION	
1 PLACE ±		APPR: SHCHU 2020/06/01		PSD 001 H	
0 PLACES ±		INITIAL REVISION:		SHEET NUMBER	
DRAFT WHERE APPLICABLE MUST REMAIN WITHIN DIMENSIONS		DRWN: KSAITO01 2007/03/06		2 OF 2	
THIRD ANGLE PROJECTION		APPR: NUKITA 2007/03/06		SERIES	
DRAWING		A3-SIZE		501745	
MATERIAL NUMBER		CUSTOMER		SEE CHART GENERAL MARKET	

NOTES

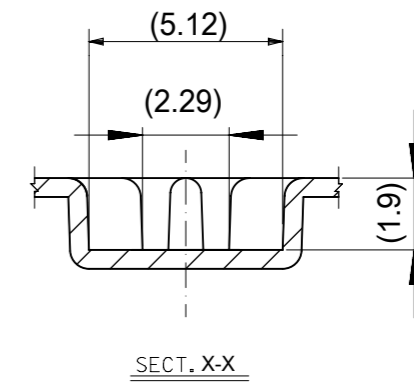
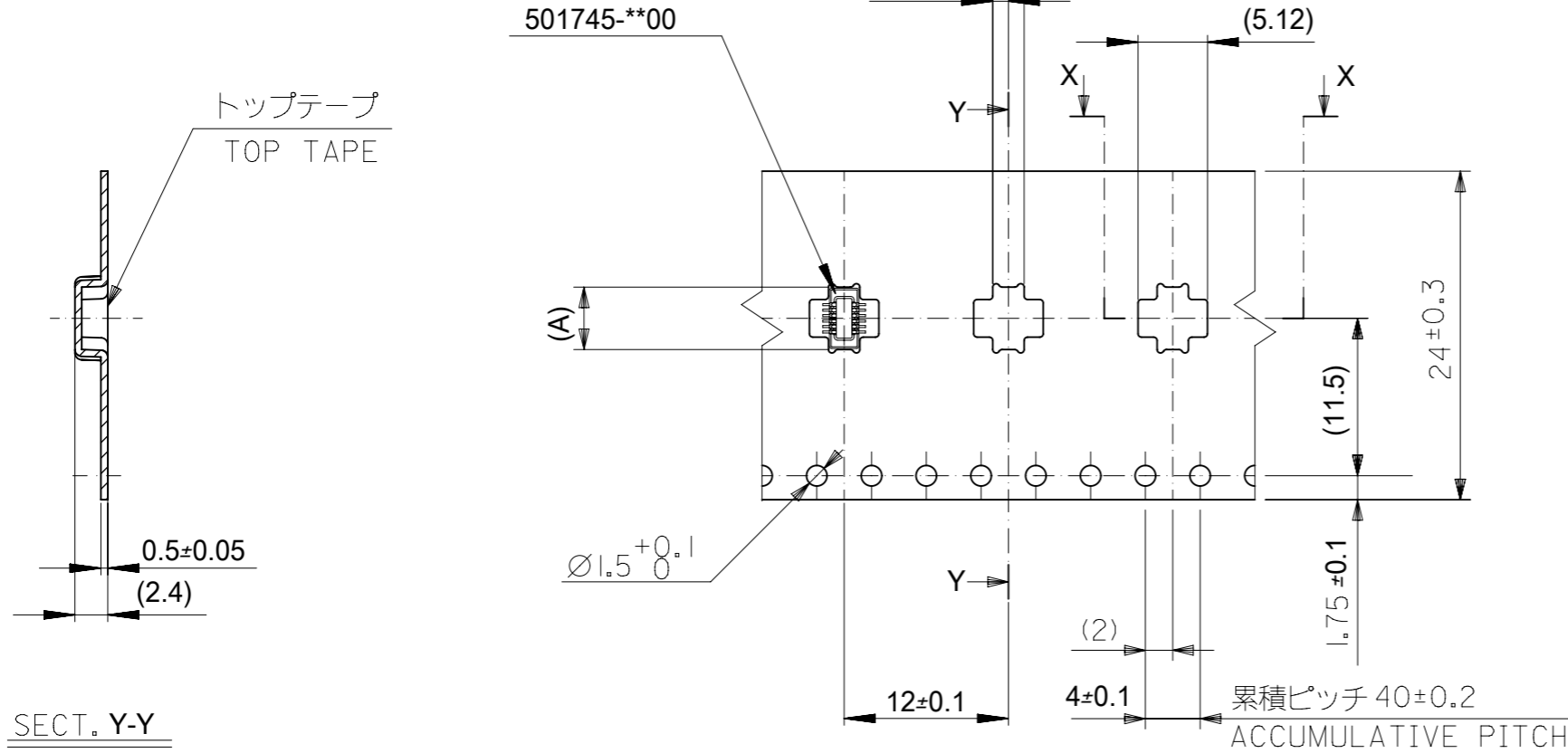
- 製品詳細寸法については製品単体図面を参照下さい。
DETAIL DIMENSIONS, SEE PRODUCT DRAWING.
- 梱包数量：2500個/リール
NUMBER OF CONNECTORS : 2500PCS/REEL
- リードテープ長さ LEAD TAPE LENGTH



- 材料 MATERIAL
 キャリアテープ (CARRIER TAPE) : ポリスチレン (POLYSTYRENE)
 トップテープ (TOP TAPE) : PET
 リール (REEL) : ポリスチレン (PS) <リサイクル材を含む>
 POLYSTYRENE (PS) <RECYCLE MATERIAL CONTAINED>
- ELV 及び RoHS 適合品
 ELV AND RoHS COMPLIANT.

THIS DRAWING CONTAINS INFORMATION THAT IS PROPRIETARY TO MOLEX ELECTRONIC TECHNOLOGIES, LLC AND SHOULD NOT BE USED WITHOUT WRITTEN PERMISSION																			
<table border="1"> <tr> <th>DIMENSION UNITS</th> <th>SCALE</th> </tr> <tr> <td>mm</td> <td>NTS</td> </tr> </table>	DIMENSION UNITS	SCALE	mm	NTS	<table border="1"> <tr> <td colspan="2">CURRENT REV DESC:</td> </tr> <tr> <td>EC NO: 638555</td> <td>2020/05/15</td> </tr> <tr> <td>DRWN: BKBAE</td> <td>2020/05/29</td> </tr> <tr> <td>CHK'D: SHCHU</td> <td>2020/06/01</td> </tr> <tr> <td>APPR: SHCHU</td> <td></td> </tr> </table>	CURRENT REV DESC:		EC NO: 638555	2020/05/15	DRWN: BKBAE	2020/05/29	CHK'D: SHCHU	2020/06/01	APPR: SHCHU					
DIMENSION UNITS	SCALE																		
mm	NTS																		
CURRENT REV DESC:																			
EC NO: 638555	2020/05/15																		
DRWN: BKBAE	2020/05/29																		
CHK'D: SHCHU	2020/06/01																		
APPR: SHCHU																			
<table border="1"> <tr> <th colspan="2">GENERAL TOLERANCES (UNLESS SPECIFIED)</th> </tr> <tr> <td>4 PLACES</td> <td>±</td> </tr> <tr> <td>3 PLACES</td> <td>±</td> </tr> <tr> <td>2 PLACES</td> <td>±</td> </tr> <tr> <td>1 PLACE</td> <td>±</td> </tr> <tr> <td>0 PLACES</td> <td>±</td> </tr> </table>	GENERAL TOLERANCES (UNLESS SPECIFIED)		4 PLACES	±	3 PLACES	±	2 PLACES	±	1 PLACE	±	0 PLACES	±	<table border="1"> <tr> <td colspan="2">INITIAL REVISION:</td> </tr> <tr> <td>DRWN: K.SAITO</td> <td>2007/03/01</td> </tr> <tr> <td>APPR: N.UKITA</td> <td>2007/03/01</td> </tr> </table>	INITIAL REVISION:		DRWN: K.SAITO	2007/03/01	APPR: N.UKITA	2007/03/01
GENERAL TOLERANCES (UNLESS SPECIFIED)																			
4 PLACES	±																		
3 PLACES	±																		
2 PLACES	±																		
1 PLACE	±																		
0 PLACES	±																		
INITIAL REVISION:																			
DRWN: K.SAITO	2007/03/01																		
APPR: N.UKITA	2007/03/01																		
<table border="1"> <tr> <td>10^{UNDER}</td> <td>±0.2</td> </tr> <tr> <td>10^{OVER} 30^{UNDER}</td> <td>±0.25</td> </tr> <tr> <td>30^{OVER}</td> <td>±0.3</td> </tr> </table>	10 ^{UNDER}	±0.2	10 ^{OVER} 30 ^{UNDER}	±0.25	30 ^{OVER}	±0.3	<table border="1"> <tr> <td>ANGULAR TOL</td> <td>± 3.0°</td> </tr> <tr> <td colspan="2">DRAFT WHERE APPLICABLE MUST REMAIN WITHIN DIMENSIONS</td> </tr> </table>	ANGULAR TOL	± 3.0°	DRAFT WHERE APPLICABLE MUST REMAIN WITHIN DIMENSIONS									
10 ^{UNDER}	±0.2																		
10 ^{OVER} 30 ^{UNDER}	±0.25																		
30 ^{OVER}	±0.3																		
ANGULAR TOL	± 3.0°																		
DRAFT WHERE APPLICABLE MUST REMAIN WITHIN DIMENSIONS																			
<table border="1"> <tr> <td colspan="2">THIRD ANGLE PROJECTION</td> </tr> <tr> <td>DRAWING</td> <td>SERIES</td> </tr> <tr> <td>A3-SIZE</td> <td>501745</td> </tr> </table>		THIRD ANGLE PROJECTION		DRAWING	SERIES	A3-SIZE	501745												
THIRD ANGLE PROJECTION																			
DRAWING	SERIES																		
A3-SIZE	501745																		
<table border="1"> <tr> <td colspan="2">molex</td> </tr> <tr> <td colspan="2">0.4 B-TO-B CONN. H = 2.0 / 2.3 J-BEND PLUG</td> </tr> <tr> <td colspan="2">PRODUCT CUSTOMER DRAWING</td> </tr> <tr> <td>DOCUMENT NUMBER</td> <td>DOC TYPE DOC PART REVISION</td> </tr> <tr> <td>SD-501745-002</td> <td>PSD 001 F</td> </tr> <tr> <td>MATERIAL NUMBER</td> <td>CUSTOMER</td> </tr> <tr> <td>SEE CHART</td> <td>GENERAL MARKET</td> </tr> <tr> <td colspan="2">SHEET NUMBER</td> </tr> <tr> <td colspan="2">1 OF 4</td> </tr> </table>		molex		0.4 B-TO-B CONN. H = 2.0 / 2.3 J-BEND PLUG		PRODUCT CUSTOMER DRAWING		DOCUMENT NUMBER	DOC TYPE DOC PART REVISION	SD-501745-002	PSD 001 F	MATERIAL NUMBER	CUSTOMER	SEE CHART	GENERAL MARKET	SHEET NUMBER		1 OF 4	
molex																			
0.4 B-TO-B CONN. H = 2.0 / 2.3 J-BEND PLUG																			
PRODUCT CUSTOMER DRAWING																			
DOCUMENT NUMBER	DOC TYPE DOC PART REVISION																		
SD-501745-002	PSD 001 F																		
MATERIAL NUMBER	CUSTOMER																		
SEE CHART	GENERAL MARKET																		
SHEET NUMBER																			
1 OF 4																			

引き出し方向
PULL OUT DIRECTION



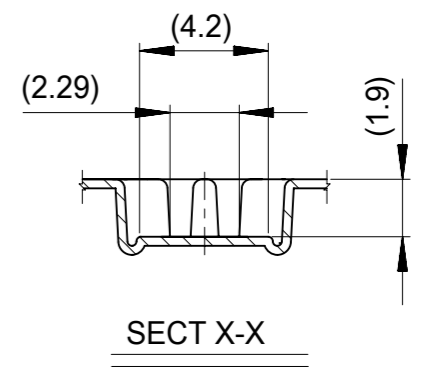
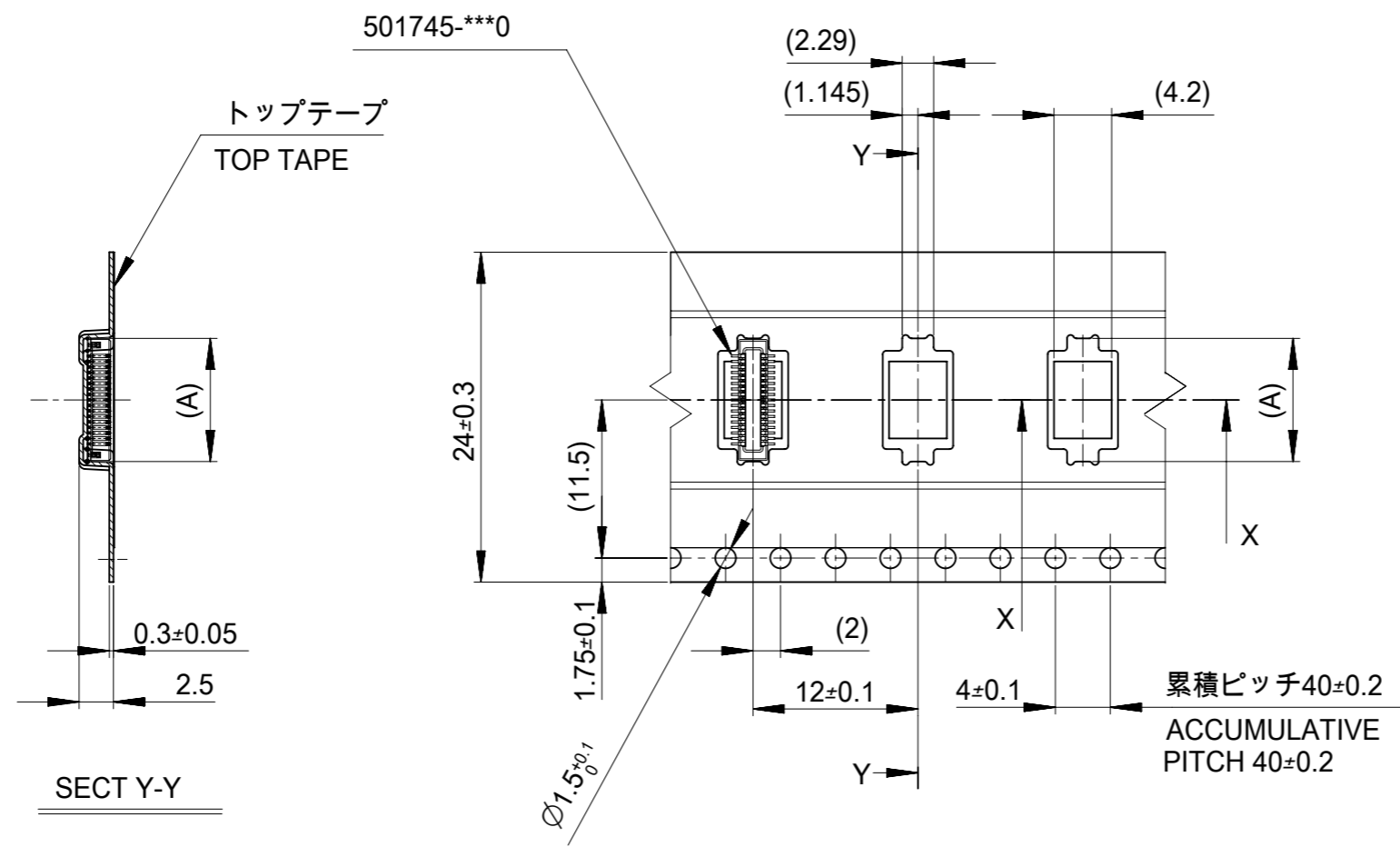
注記)製品がポケット内に問題なく収まること。
NOTE. Pocket should contain product smoothly.

24	29.4	25.4	4.56	501745-9901	12
キャリアテープ幅 CARRIER TAPE WIDTH	C	B	(A)	オーダー番号 ORDER NO.	極数 CKT.
CONNECTOR SERIES No.				501745-***0	

THIS DRAWING CONTAINS INFORMATION THAT IS PROPRIETARY TO MOLEX ELECTRONIC TECHNOLOGIES, LLC AND SHOULD NOT BE USED WITHOUT WRITTEN PERMISSION					
DIMENSION UNITS		SCALE		CURRENT REV DESC:	
mm	NTS				
GENERAL TOLERANCES (UNLESS SPECIFIED)					
		MM	INCH		
4 PLACES	±			EC NO: 638555	
3 PLACES	±			DRWN: BKBAE	2020/05/15
2 PLACES	±			CHK'D: SHCHU	2020/05/29
1 PLACE	±			APPR: SHCHU	2020/06/01
0 PLACES	±			INITIAL REVISION:	
		ANGULAR TOL ± 3.0°		DRWN: K.SAITO	2007/03/01
		DRAFT WHERE APPLICABLE MUST REMAIN WITHIN DIMENSIONS		APPR: N.UKITA	2007/03/01
		THIRD ANGLE PROJECTION	DRAWING	SERIES	MATERIAL NUMBER
			A3-SIZE	501745	SEE CHART
		CUSTOMER		DOCUMENT NUMBER	DOC TYPE DOC PART REVISION
		GENERAL MARKET		SD-501745-002	PSD 001 F
		SHEET NUMBER		2 OF 4	

GENERAL TOLERANCES (UNLESS SPECIFIED)		
10 ^{UNDER}		±0.2
10 ^{OVER}	30 ^{UNDER}	±0.25
30 ^{OVER}		±0.3

引き出し方向
PULL OUT
DIRECTION



24	29.4	25.4	14.16	501745-0601	60
			12.96	501745-0541	54
			12.16	501745-0501	50
			10.16	501745-0401	40
			8.16	501745-0301	30
キャリアテープ幅 CARRIER TAPE WIDTH			C	B	(A)
			オーダー番号 ORDER NO.	極数 CKT.	

CONNECTOR SERIES No. 501745-***0

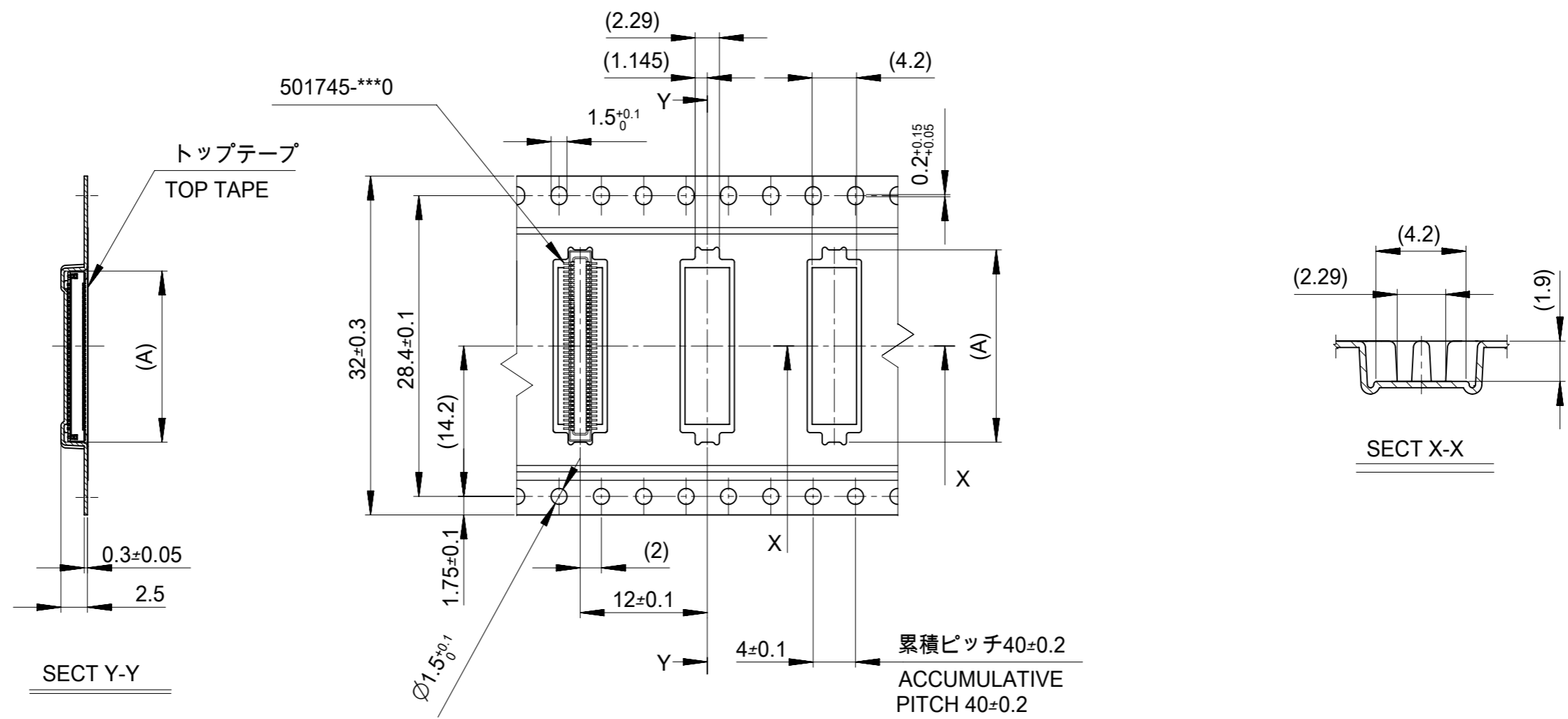
THIS DRAWING CONTAINS INFORMATION THAT IS PROPRIETARY TO MOLEX ELECTRONIC TECHNOLOGIES, LLC AND SHOULD NOT BE USED WITHOUT WRITTEN PERMISSION

DIMENSION UNITS	SCALE	CURRENT REV DESC:	
mm	NTS		
GENERAL TOLERANCES (UNLESS SPECIFIED)		molex	
		0.4 B-TO-B CONN. H = 2.0 / 2.3 J-BEND PLUG	
		PRODUCT CUSTOMER DRAWING	
		DOCUMENT NUMBER	DOC TYPE DOC PART REVISION
		SD-501745-002	PSD 001 F
		MATERIAL NUMBER	CUSTOMER
		SEE CHART	GENERAL MARKET
		SHEET NUMBER	3 OF 4

GENERAL TOLERANCES (UNLESS SPECIFIED)

10 ^{UNDER}	±0.2
10 ^{OVER} 30 ^{UNDER}	±0.25
30 ^{OVER}	±0.3

引き出し方向
PULL OUT
DIRECTION



32	37.4	33.4	18.16	501745-0801	80
			16.16	501745-0701	70
キャリアテープ幅 CARRIER TAPE WIDTH	C	B	(A)	オーダー番号 ORDER NO.	極数 CKT.
CONNECTOR SERIES No.				501745-***0	

THIS DRAWING CONTAINS INFORMATION THAT IS PROPRIETARY TO MOLEX ELECTRONIC TECHNOLOGIES, LLC AND SHOULD NOT BE USED WITHOUT WRITTEN PERMISSION

DIMENSION UNITS	SCALE	CURRENT REV DESC:			
mm	NTS	<p>molex</p> <p>0.4 B-TO-B CONN. H = 2.0 / 2.3 J-BEND PLUG</p> <p>PRODUCT CUSTOMER DRAWING</p> <p>DOCUMENT NUMBER: SD-501745-002 DOC TYPE: PSD DOC PART: 001 REVISION: F</p> <p>MATERIAL NUMBER: SEE CHART CUSTOMER: GENERAL MARKET SHEET NUMBER: 4 OF 4</p>			
GENERAL TOLERANCES (UNLESS SPECIFIED)					
4 PLACES	±				
3 PLACES	±				
2 PLACES	±				
1 PLACE	±	EC NO: 638555	2020/05/15		
0 PLACES	±	DRWN: BKBAE	2020/05/29		
ANGULAR TOL ± 3.0°		CHK'D: SHCHU	2020/06/01		
DRAFT WHERE APPLICABLE MUST REMAIN WITHIN DIMENSIONS		APPR: SHCHU			
THIRD ANGLE PROJECTION		INITIAL REVISION:			
DRAWING		DRWN: K.SAITO	2007/03/01		
SERIES		APPR: N.UKITA	2007/03/01		
A3-SIZE					

GENERAL TOLERANCES (UNLESS SPECIFIED)		
10 ^{UNDER}		±0.2
10 ^{OVER}	30 ^{UNDER}	±0.25
30 ^{OVER}		±0.3