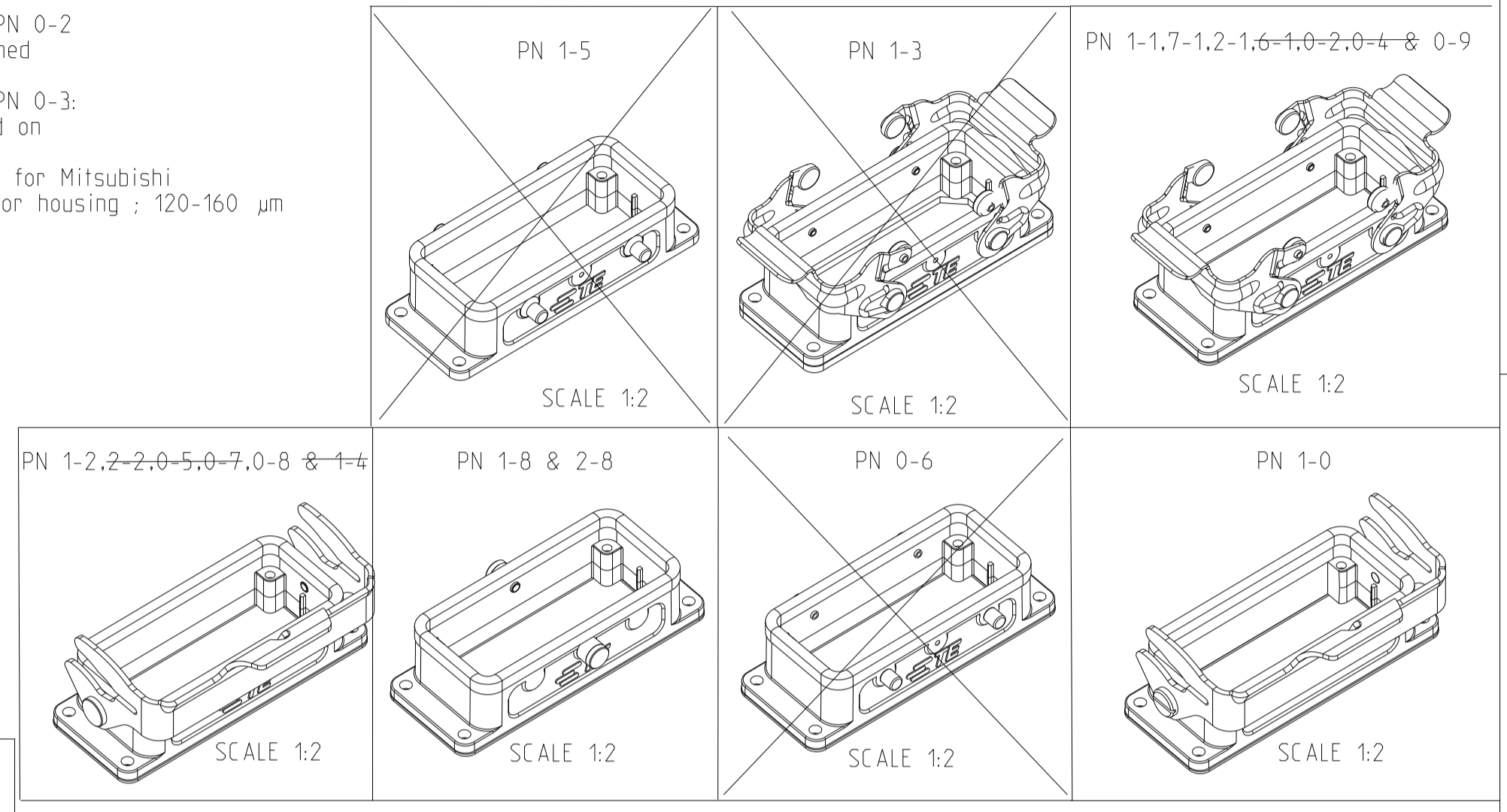


- NOTES
- 1 Material: Housing aluminium diecasting alloy  
Seals: Neoprene : Viton
  - 2 Surface: Varnish Grey; Black
  - 3 Varnish on the inside not necessary
  - 4 Packaging quantity 5 pieces
  - 5 Packaging quantity 100 pieces
  - 6 Packaging quantity 150 pieces
  - 7 Only valid for PN 0-1:  
couding device beveled on dimension 82
  - 8 Only valid for PN 0-4 and 0-5  
Plat form beveled on dimension 72.5+0.1 both sides
  - 9 Only valid for PN 0-2  
Seal loose attached
  - 10 Only valid for PN 0-3:  
flange seal clued on
  - 11 Special side clip for Mitsubishi  
powder coating for housing : 120-160 µm

REVISIONS				
P	LTN	DESCRIPTION	DATE	APPV
C4	ECR-17-014033		13MAR2018	SG MKO
D	ECR-20-009934		13JUL2020	GY JB
D1	ECR-21-123293		24FEB2022	RK JB
D2	ECR-22-151597		06SEP2022	RK JB



QTY	DESCRIPTION	MATERIAL	SURFACE	COLOR	ITEM NO	NOTES
1	Surface mounted housing bottom entry HB	Aluminium		Grey RAL7001	22	With bolt
1	LB-Side clip	Steel	Zinc plated	Blue	21	
1	Surface mounted housing bottom entry HB	Aluminium		Grey 120-160 µm	20	
1	Flange seal	Viton		Black	19	
1	Profile seal	Viton		Grey	18	
1	Surface mounted housing bottom entry HB	Aluminium		Grey RAL7001	17	Neutral
1	Surface mounted housing bottom entry HB	Aluminium		Grey RAL7001	16	Without bolt
1	Clip bolt-HB	Steel	Zinc plated	Blue	15	
1	Surface mounted housing bottom entry HB	Aluminium		Grey RAL7001	14	
1					13	
1	Flange seal	Neoprene		Black	12	
1	Profile seal	Neoprene		Black	11	
1	ZB-Clip bolt	Stainless steel			10	
1	ZB-Clip bolt	Steel	Zinc plated	Blue	9	
1	LB-Side clip	Stainless steel			8	
1	LB-Side clip	Steel	Zinc plated	Blue	7	
1	VS-Locking clip	Stainless steel			6	
2	VS-Locking clip	Steel	Zinc plated	Blue	5	
1	Surface mounted housing bottom entry HB	Aluminium		With out varnish	4	
1	Surface mounted housing bottom entry HB-K	Aluminium	Aluminium oxide	Black RAL9005	3	
1	Surface mounted housing bottom entry HB-K	Aluminium		Black RAL9005	2	
1	Surface mounted housing bottom entry HB	Aluminium		Grey RAL7001	1	

QTY	DESCRIPTION	MATERIAL	SURFACE	COLOR	ITEM NO	NOTES
1	ORDERING TEXT					
1	HB-16.AG-VS					
1	HB-16.AG-VS					
1	HB-K-16.AG-VS					
1	HB-16.AG-LB					
1	HB-K-16.AG-LB					
1	HB-Z-16.AG-ZVGR					
1	HB-K/Z-16.AG-ZV					
1	HB-16.AG-LB					
1	HB-16.AG-VS					
1	HB-Z-16.AG-ZVGR					
1	HB-16.AG-VS					
1	HB-16.AG-VS					
1	HB-K-16.AG-VS					
1	HB-K-16.AG-LB					
1	HB-16.AG					
1	HB-16.AG-LB					
1	HB-16.AG-LB.KM					
1	HB-16.AG-VS.KM					
1	HB-16.AG-LB					
1	HB-16.AG-VS-V					
1	HB-16.AG-LB					
1	HB-16.AG-F					
1	HB-16.AG-LB					

THIS DRAWING IS A CONTROLLED DOCUMENT.

APV: SCHWEIGER 23.07.1997  
CHK: KRAMER 23.06.1998

DIMENSIONS: mm

TOLERANCES UNLESS OTHERWISE SPECIFIED:  
mm: 0.10, 0.20, 0.30, 0.50, 1.00, 1.50, 2.00, 3.00, 4.00, 5.00, 6.00, 8.00, 10.00, 15.00, 20.00, 30.00, 40.00, 50.00, 60.00, 80.00, 100.00

PRODUCT SPEC: 108-74001/74003  
APPLICATION SPEC: 114-74001/74004/74005

NAME: SURFACE MOUNTED HOUSING BOTTOM ENTRY HB.16

SIZE: A1 | CAGE CODE: 00779 | DRAWING NO: C=1102296

CUSTOMER DRAWING | SCALE: 1:1 | SHEET: 1 OF 1 | REV: 02