

10

9

8

7

6

5

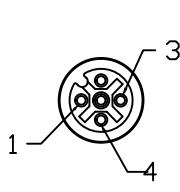
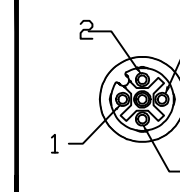
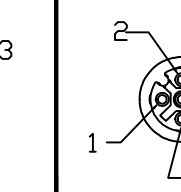
4

3

2

1

### FACE VIEW - FEMALE INSERT

3P	4P	5P
		
1-BROWN 3-BLUE 4-BLACK	1-BROWN 2-WHITE 3-BLUE 4-BLACK	1-BROWN 2-WHITE 3-BLUE 4-BLACK 5-GRAY

**CABLE LENGTH TOLERANCES**

>.3M [1FT]: +19mm-0 [+ .75in-0]  
 .3 - .9M [1 - 3FT]: +44.5mm-0 [+1.75in-0]  
 .9 - 1.8M [3 - 6FT]: +55.6mm-0 [+2.19in-0]  
 1.8 - 3.7M [6 - 12FT]: +88.9mm-0 [+3.50in-0]  
 3.7 - 7.3M [12 - 24FT]: +165.1mm-0 [+6.50in-0]  
 7.3-14.6M [24 - 48FT]: +317.5mm-0 [+12.50in-0]  
 14.6 - 30.5M [48-100FT]: +622.3mm-0 [+24.50in-0]  
 OVER 30M [100FT] +2% OF FINISHED LENGTH

### PART NUMBER LEGEND

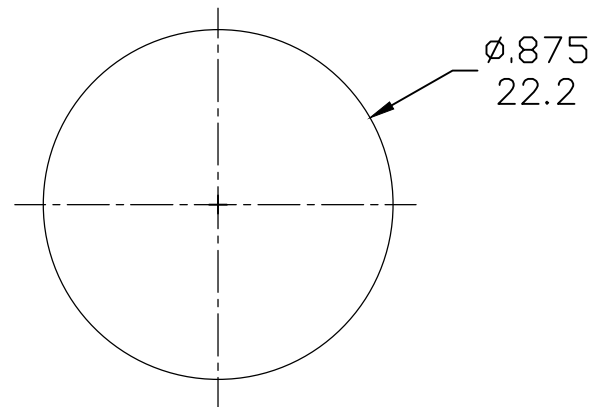
WR4000A18M0108

POLES →

SS SHELL →

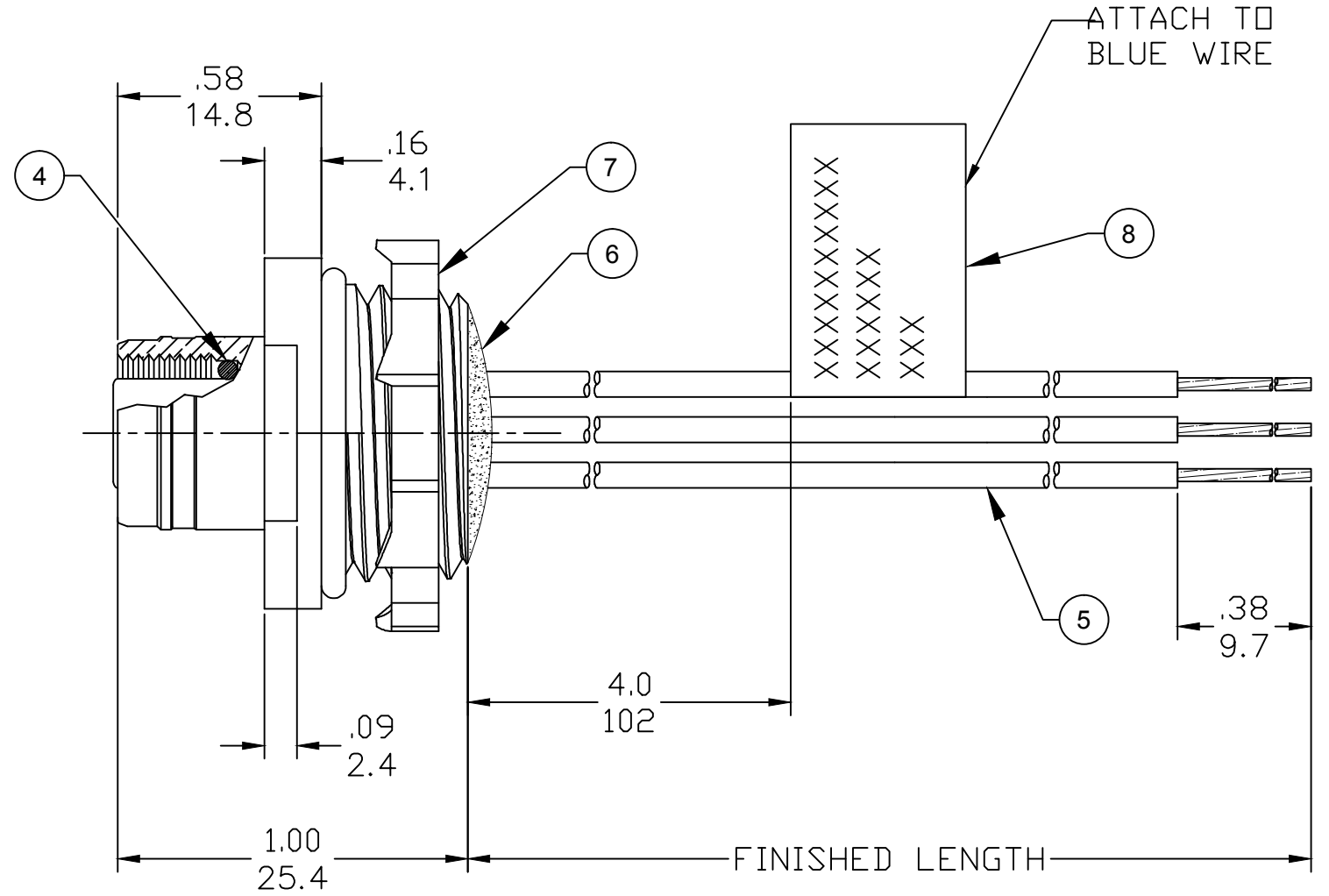
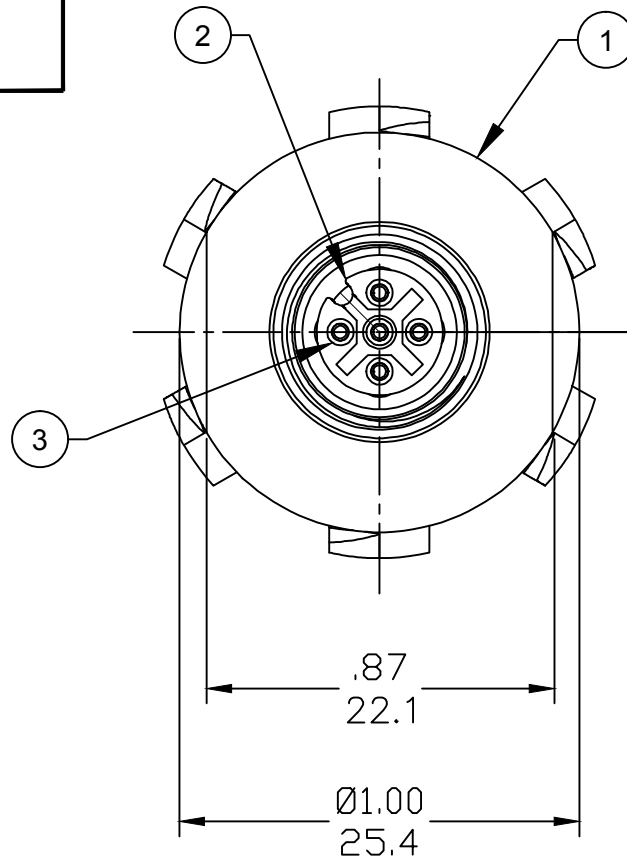
WIRE TYPE →  
22 AWG PVC

FINISHED LENGTH:  
M005= 0.5 METER  
M010= 1 METER  
M100= 10 METER



REF. KNOCKOUT HOLE

- NOTES:**
1. MATERIAL: AS NOTED
  2. FINISH: AS NOTED
  3. ELECTRICAL:  
VOLTAGE: 250V  
CURRENT: 4A
  4. TEMP RATING: -25°TO +80°C
  5. PROTECTION: IP67 (WHEN MATED)
  6. COUPLING THREAD: M12 X 1
  7. CSA RECOGNIZED PER FILE: LR6837
  8. ALL DIMS ARE FOR REFERENCE UNLESS NOTED OTHERWISE



CHART

PART NO.	ENGINEERING NO.	FINISHED LENGTH	POLES
1200840064	WR4000A18M0108	1.0M [3'3"]	4
1200840023	WR5000A18M0108	1.0M [3'3"]	5

ITEM	DESCRIPTION	MATERIAL	FINISH
8	FLAG LABEL	VINYL	BLACK/YELLOW
7	LOCK NUT	STEEL	ZINC PLATED
6	POTTING MATERIAL	EPOXY	
5	WIRE, 22 AWG UL 1061	PVC INSULATION	SEE FACE VIEW
4	O-RING	VITON	RED
3	CONTACT SOCKET	COPPER ALLOY	GOLD PLATED
2	FEMALE INSERT	NYLON	BLACK
1	RECEPTACLE SHELL	ST. STEEL	PASSIVATED

EC NO: IPG2018-0167 DRWN: RSTONE 2017/09/19 CHKD: M ZIELIN APPR: BWOODMAN 2017/10/04 REV A	QUALITY SYMBOLS ▽=0 ∇=0	GENERAL TOLERANCES (UNLESS SPECIFIED)		DIMENSION STYLE <b>IN/MM</b>		SCALE ---	DESIGN UNITS INCH	THIRD ANGLE PROJECTION		
		4 PLACES	±---	±---	DRAWN BY	DATE	TITLE <b>M12 U-LOCK RECEPT ASSY          3, 4, 5P F/FR 1/2 NPT</b>			
		3 PLACES	±---	±---	RSTONE	2017/09/19				
		2 PLACES	±---	±---	CHECKED BY	DATE	MOLEX INCORPORATED			
1 PLACE	±---	±---	M ZIELIN	---						
ANGULAR ±---°		DRAFT WHERE APPLICABLE MUST REMAIN WITHIN DIMENSIONS		APPROVED BY DATE BWOODMAN 2017/10/04		MATERIAL NO. <b>SEE CHART</b>		DOCUMENT NO. <b>SD-120084-181</b>		SHEET NO. <b>1 OF 1</b>
THIS DRAWING CONTAINS INFORMATION THAT IS PROPRIETARY TO MOLEX INCORPORATED AND SHOULD NOT BE USED WITHOUT WRITTEN PERMISSION										

10

9

8

7

6

5

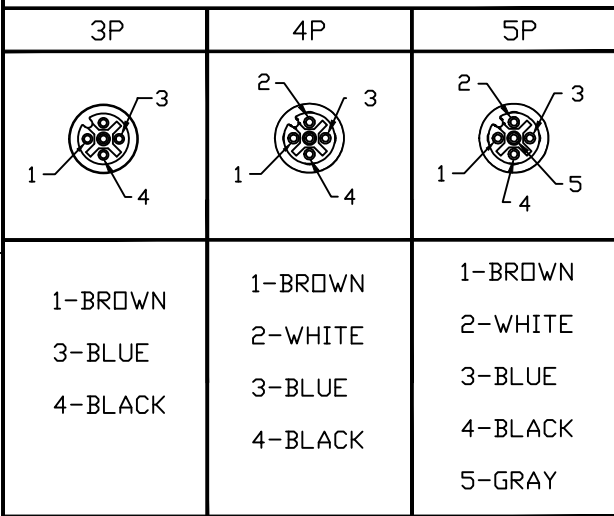
4

3

2

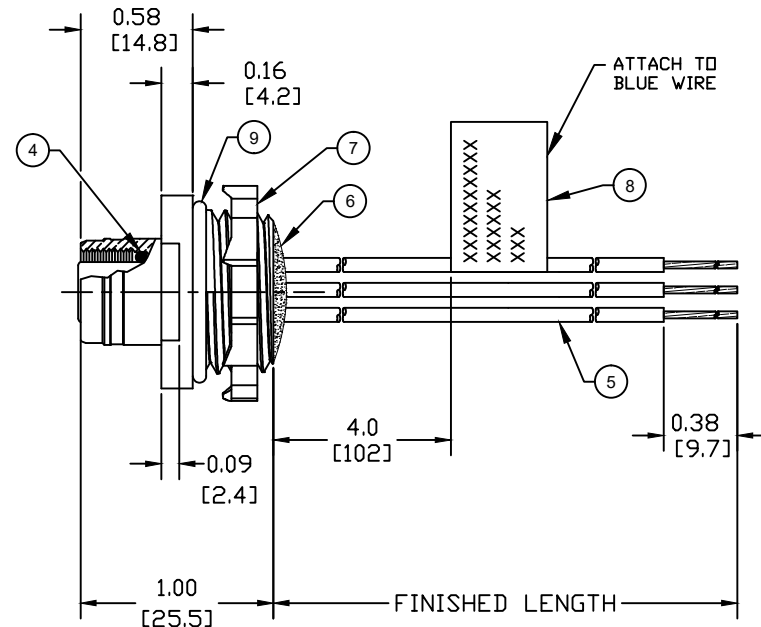
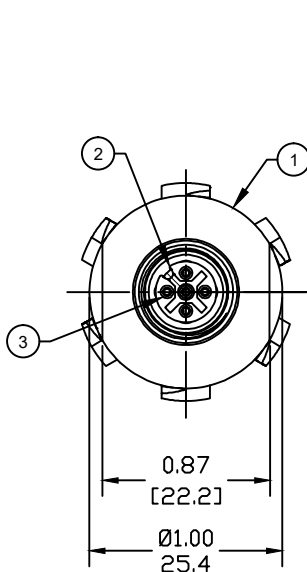
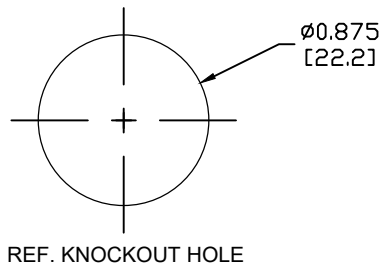
1

FACE VIEW - FEMALE INSERT



CABLE LENGTH TOLERANCES  
 >.3M [1FT]: +19mm-0 [+1.75in-0]  
 .3 - .9M [1 - 3FT]: +44.5mm-0 [+1.75in-0]  
 .9 - 1.8M [3 - 6FT]: +55.6mm-0 [+2.19in-0]  
 1.8 - 3.7M [6 - 12FT]: +88.9mm-0 [+3.50in-0]  
 3.7 - 7.3M [12 - 24FT]: +165.1mm-0 [+6.50in-0]  
 7.3-14.6M [24 - 48FT]: +317.5mm-0 [+12.50in-0]  
 14.6 - 30.5M [48-100FT]: +622.3mm-0 [+24.50in-0]  
 OVER 30M [100FT] +2% OF FINISHED LENGTH

PART NUMBER LEGEND  
**WR4000A18M0108**  
 POLES → SS SHELL  
 WIRE TYPE → 22 AWG PVC  
 FINISHED LENGTH:  
 M005 = 0.5 METER  
 M010 = 1 METER  
 M100 = 10 METER



- NOTES:  
 1. MATERIAL: AS NOTED  
 2. FINISH: AS NOTED  
 3. ELECTRICAL:  
 VOLTAGE: 250V  
 CURRENT: 4A  
 4. TEMP RATING: -25°TO +80°C  
 5. PROTECTION: IP67 (WHEN MATED)  
 6. COUPLING THREAD: M12 X 1  
 7. CSA RECOGNIZED PER FILE: LR6837  
 8. ALL DIMS ARE FOR REFERENCE  
 UNLESS NOTED OTHERWISE

PART NO.	ENGINEERING NO.	FINISHED LENGTH	POLES
1200840025	WR5000A16C300	0.3M [1'0"]	5
1200840023	WR5000A18M0108	1.0M [3'3"]	5

ITEM	DESCRIPTION	MATERIAL	FINISH
9	GASKET	BUNA-N	BLACK
8	FLAG LABEL	VINYL	BLACK/YELLOW
7	LOCK NUT	STEEL	ZINC PLATED
6	POTTING MATERIAL	EPDXY	
5	WIRE, 22 AWG UL 1061	PVC INSULATION	SEE FACE VIEW
4	O-RING	VITON	RED
3	CONTACT SOCKET	COPPER ALLDY	GOLD PLATED
2	FEMALE INSERT	NYLON	BLACK
1	RECEPTACLE SHELL	ST. STEEL	PASSIVATED

RELEASE  
 EC NO: ICG2020-0011  
 DRWN: JCAPPOZZ 2019/08/01  
 CHKD: RSTONE 2019/08/01  
 APPR: BWOODMAN 2019/08/15

QUALITY SYMBOLS  
 ▽=0  
 ▽=0

GENERAL TOLERANCES (UNLESS SPECIFIED)

	mm	INCH
4 PLACES	±---	±---
3 PLACES	±---	±.005
2 PLACES	±0.05	±0.010
1 PLACE	±0.10	±---

ANGULAR ± 5°

DRAFT WHERE APPLICABLE  
 MUST REMAIN  
 WITHIN DIMENSIONS

DIMENSION STYLE  
 INCH ONLY

SCALE  
 NTS

DESIGN UNITS  
 INCH

THIRD ANGLE PROJECTION

DRAWN BY DATE  
 JCAPPOZZ 2019/08/01

CHECKED BY DATE  
 RSTONE 2019/08/01

APPROVED BY DATE  
 BWOODMAN 2019/08/15

MATERIAL NO.  
 SEE P/N CHART

SIZE  
 A

TITLE  
**M12 U-LOCK RECEPT ASSY  
 3, 4, 5P F/FR 1/2 NPT**

MOLEX  
**MOLEX INCORPORATED**

DOCUMENT NO.  
**SD-120084-182**

SHEET NO.  
 1 OF 1

THIS DRAWING CONTAINS INFORMATION THAT IS PROPRIETARY TO MOLEX INCORPORATED AND SHOULD NOT BE USED WITHOUT WRITTEN PERMISSION