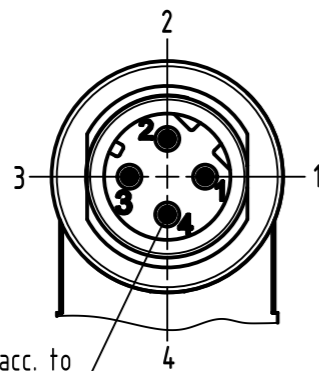
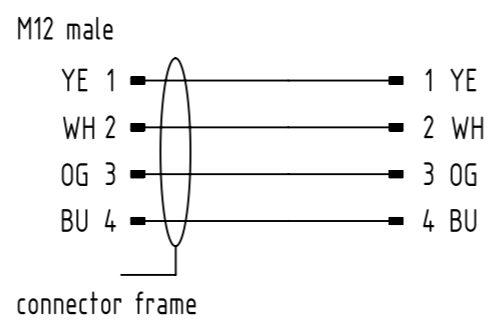


A (2:1) ↻ 90°

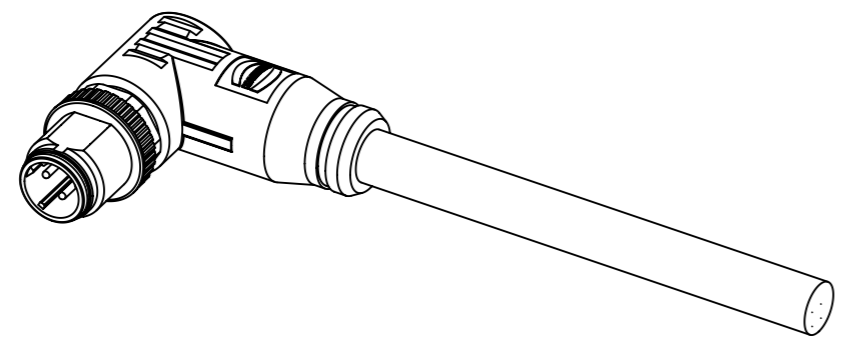


mating face acc. to IEC 61076-2-101

schematic diagram



transmission properties in accordance with ISO/IEC 11801: 2002 Class D
 protection level: IP67/65
 temperature range: -40°C ... +85°C



6,0 to 100	±1%
0,6 to 5,9	+0,04
0,2 to 0,5	+0,02
a [m]	tolerance [m]

length in 1m step	100	XXX=000
	99	XXX=990
	.	.
	.	.
	.	.
length in 0,1m step	12	XXX=120
	11	XXX=110
	10	XXX=100
	9,9	XXX=099
	9,8	XXX=098
	.	.
	.	.
	.	.
step	a [m]	XXX

HARTING Ha-VIS EtherRail Cable, 4xAWG 22/7, CAT5/5e		09488000011XXX	
type of cable		part-no.	

	All rights reserved		Scale 1:1	Free size tol.	Ref.	
	Department EC PD - DE		Created by HASSE	Inspected by JASCHKE	Standardisation KOHLER	Sub.
HARTING Electronics GmbH		Title M12 male D-coded cable assembly			Date 2015-02-11	State Final Release
D-32339 Espelkamp		Type TB	Number 09488000011XXX		Doc-Key / ECM-Nr. 100223119/UGD/074/B 500000084907	
					Rev. B	Page 1/1