

PLEASE CHECK WWW.MOLEX.COM FOR LATEST PART INFORMATION

Part Number: **0923151013**
Status: **Active**
Overview: Picoflex Ribbon-Cable Connectors
Description: Picoflex PF-50 IDT-to-Picoflex PF-50 IDT Cable Assembly, 0.13m Length, Tin (Sn) Plating, 10 Circuits

Documents:

[3D Model](#) [Product Specification PS-99020-0011-001 \(PDF\)](#)
[Drawing \(PDF\)](#) [RoHS Certificate of Compliance \(PDF\)](#)

Application tooling part link

Application Tooling Part Link 62100-6000
Application Tooling Part Link 62100-6010

General

Product Family Cable Assemblies
Series [92315](#)
Assembly Configuration Dual Ended Connectors
Connector to Connector Picoflex IDT-to-IDT
Overview [Picoflex Ribbon-Cable Connectors](#)
Product Name Picoflex
UPC 822348514502

Physical

Cable Length 0.13m
Circuits (Loaded) 10
Color - Resin Natural
Gender Female-Female
Lock to Mating Part None
Material - Metal Phosphor Bronze
Material - Plating Mating Tin
Material - Plating Termination Tin
Material - Resin Polyester
Net Weight 3.454/g
Number of Rows 2
Packaging Type Bag
Pitch - Mating Interface 1.27mm
Plating min - Mating 2.032µm
Plating min - Termination 2.032µm
Single Ended No
Termination Interface: Style IDT or Pierce
Waterproof / Dustproof No
Wire Insulation Diameter N/A
Wire Size AWG 28
Wire/Cable Type PVC, Ribbon Cable

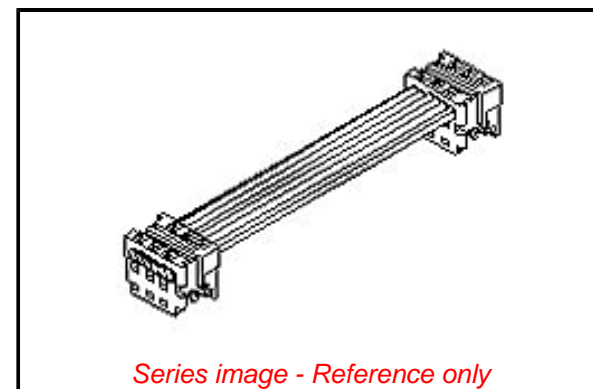
Electrical

Current - Maximum per Contact 1.2A
Shielded No
Voltage - Maximum 250V

Material Info

Reference - Drawing Numbers

Product Specification PS-99020-0011-001
Sales Drawing SD-92315-001-001



Series image - Reference only

EU ELV

Not Relevant

EU RoHS

Compliant

REACH SVHC

Not Contained Per -
D(2021)4569-DC (8
July 2021)

Halogen-Free

Status

Not Low-Halogen

For more information, please visit [Contact US](#)

China ROHS

ELV

RoHS Phthalates

China RoHS

Green Image

Not Relevant

Not Contained

Search Parts in this Series

[92315](#) Series

Mates With

Picoflex PF-50 Header [90325](#) , [90800](#) ,
[90779](#) , [90715](#) , [90814](#)

Application Tooling | FAQ

Tooling specifications and manuals are found by selecting the products below. Crimp Height Specifications are then contained in the Application Tooling Specification document.

Global

Description

Product #

Extractor Tool for [621006000](#)
Connectors

This document was generated on 08/27/2021

PLEASE CHECK WWW.MOLEX.COM FOR LATEST PART INFORMATION