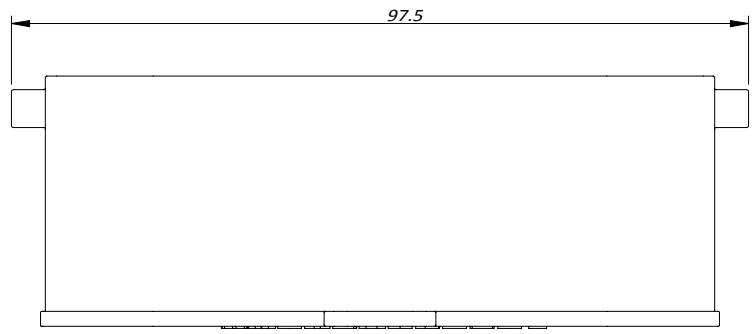
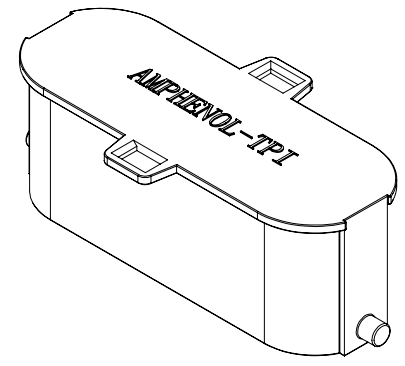
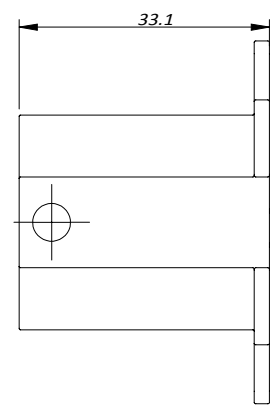
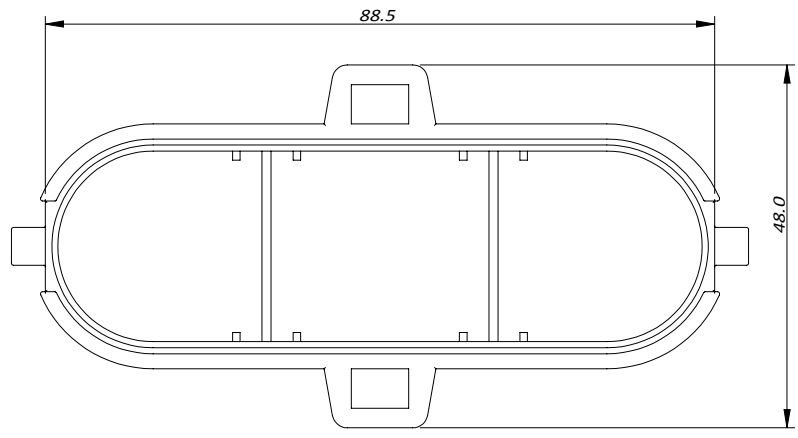


THIS DRAWING IS SUPPLIED FOR INFORMATION ONLY. DESIGN FEATURES, SPECIFICATIONS AND PERFORMANCE DATA SHOWN HEREON ARE THE PROPERTY OF THE AMPHENOL CORPORATION. NO RIGHTS OF REPRODUCTION ARE IMPLIED. ALL DIMENSIONS ARE SUBJECT TO NORMAL MANUFACTURING VARIATIONS.

1 2 3 4 5 6 7 8

REVISIONS					
REV#	ECN#	REVISION ACTION	REV.BY:	APPR.BY:	DATE
A	--	INITIAL RELEASE	Star	James	07/06/2021

**CUSTOMER DRAWING**



A  
B  
C  
D

A  
B  
C  
D

1 2 3 4 5 6 7 8

		Amphenol Technical Products International Asia.					PART NAME:  300A,3POS Dust cover for Plug
		第三角投影 THIRD ANGLE PROJECTION	页面 SHEET	幅面 SIZE	版次 REV.	比例 SCALE	
签名 SIGNATURE		日期 DATE	UNLESS OTHERWISE SPECIFIED			DWG NO:  1P2000866	
制图 DRAWN	STAR	07/06/2021	1) All dimensions are in metric(mm) 2) Tolerances are as follows:				
审核 CHECKED			1.PL DEC ± 1.00 2.PL DEC ± 0.50 3.PL DEC ± 0.20				
批准 APPROVAL			Angles ±1°			MATERIAL SPECIFICATIONS:	