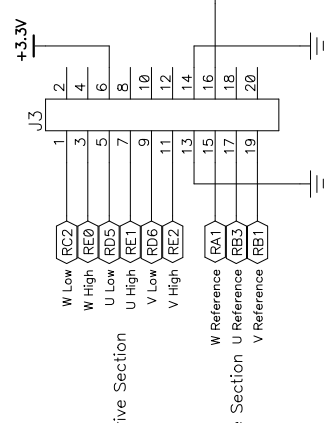
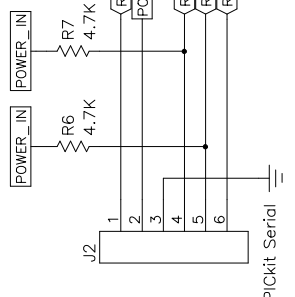
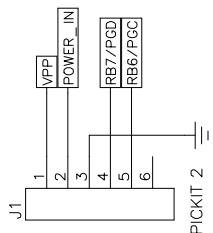
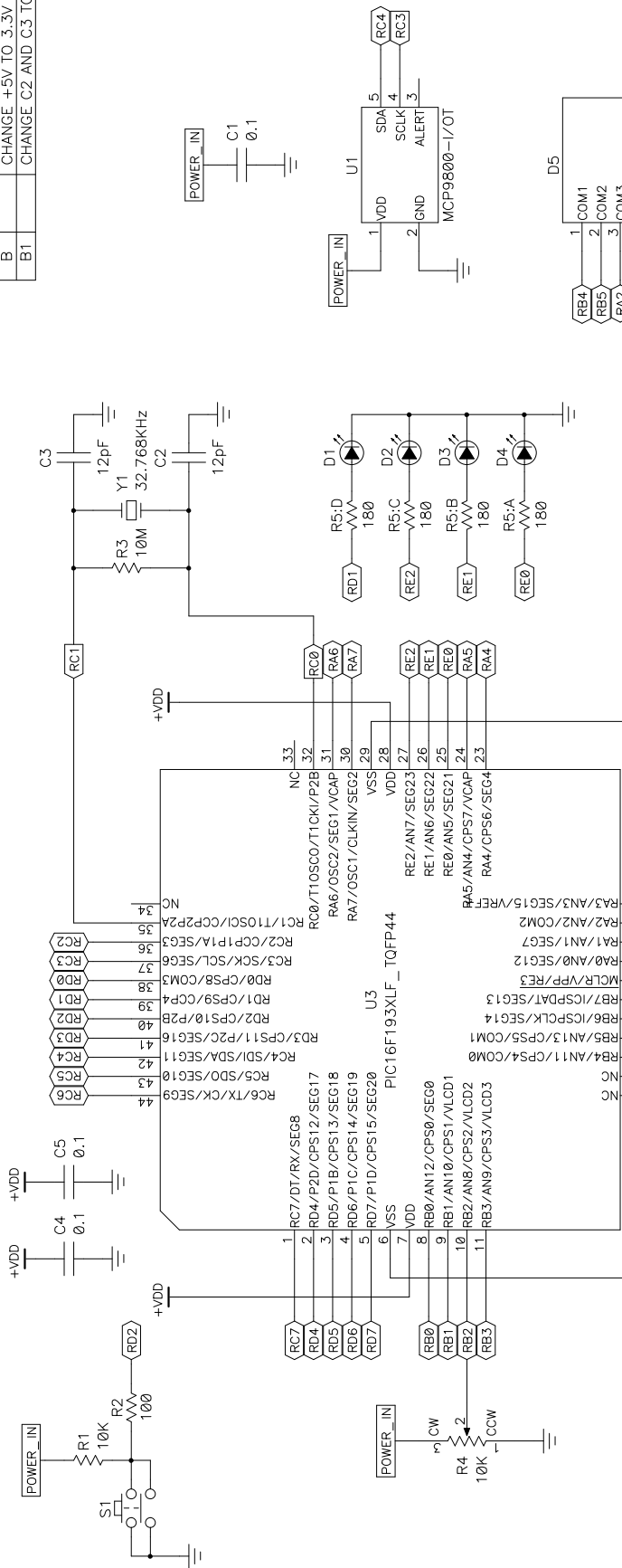


REV	ECO#	DESCRIPTION	DATE
A		Release to Dev Tools	07-2009
B		CHANGE +5V TO 3.3V	07-2009
B1		CHANGE C2 AND C3 TO 12pF	08-2009



**NOTES:**  
 UNLESS OTHERWISE SPECIFIED, RESISTANCE VALUES ARE IN OHMS, 5% 1/4W. CAPACITANCE VALUES ARE IN MICROFARADS.  
 DEVICE NAMES/NUMBERS SHOWN HERE ARE FOR REF ONLY AND MAY DIFFER FROM ACTUAL NUMBER. ACTUAL NUMBERS ARE FOUND IN THE BOM FOR THIS ASSEMBLY.  
 ALL COMPONENTS ARE RoHS COMPLIANT.

Title		F1 EVALUATION PLATFORM	
Size	Number	Rev	
C	03-02152	B1	
Date	Aug 09	Drawn by	Mark Loper
Filename	03-02152.sch	Sheet	1 of 1

BLDC Expansion Connector