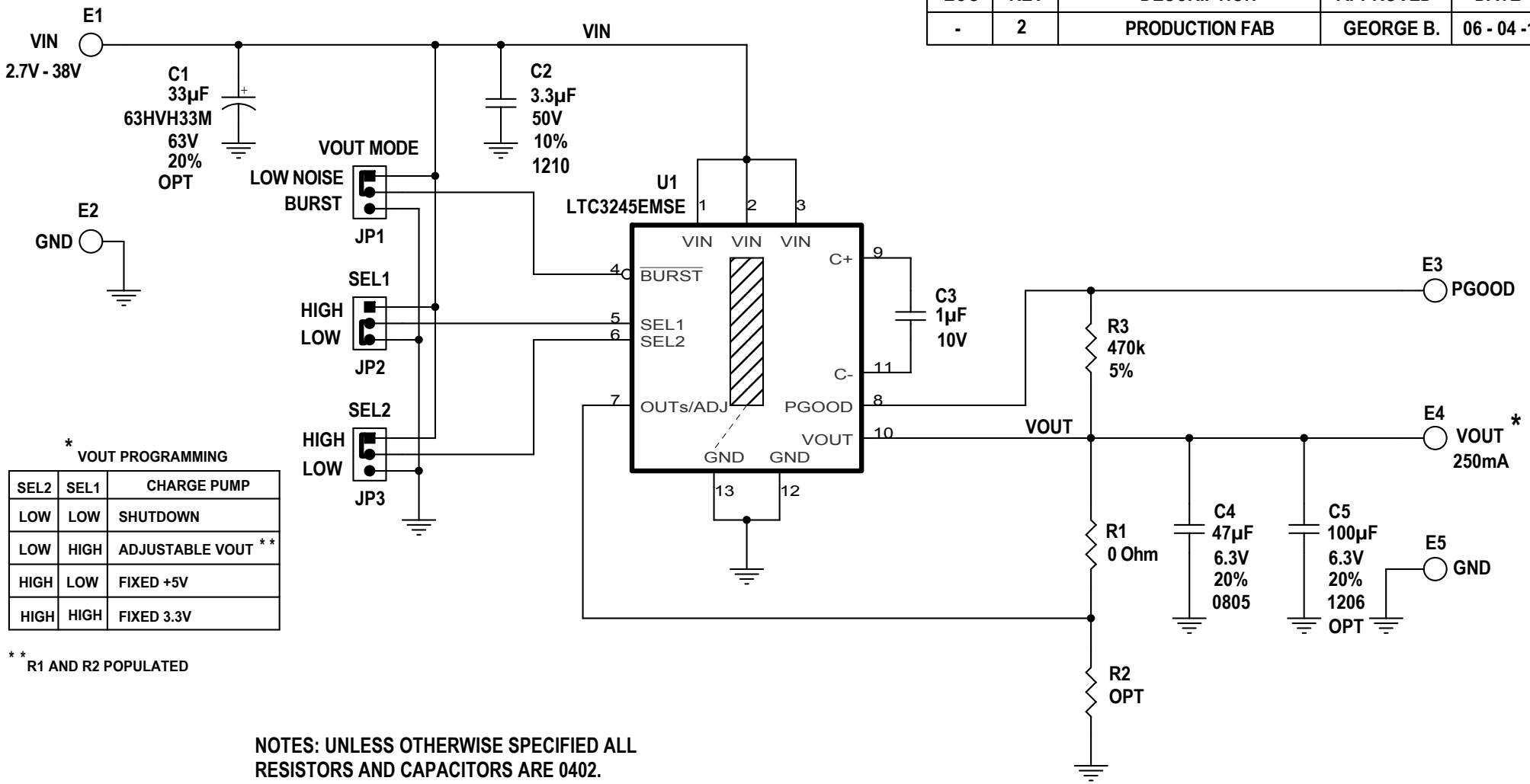


REVISION HISTORY				
ECO	REV	DESCRIPTION	APPROVED	DATE
-	2	PRODUCTION FAB	GEORGE B.	06 - 04 - 12



* VOUT PROGRAMMING

SEL2	SEL1	CHARGE PUMP
LOW	LOW	SHUTDOWN
LOW	HIGH	ADJUSTABLE VOUT **
HIGH	LOW	FIXED +5V
HIGH	HIGH	FIXED 3.3V

** R1 AND R2 POPULATED

NOTES: UNLESS OTHERWISE SPECIFIED ALL RESISTORS AND CAPACITORS ARE 0402.

<h3>CUSTOMER NOTICE</h3> <p>LINEAR TECHNOLOGY HAS MADE A BEST EFFORT TO DESIGN A CIRCUIT THAT MEETS CUSTOMER-SUPPLIED SPECIFICATIONS; HOWEVER, IT REMAINS THE CUSTOMER'S RESPONSIBILITY TO VERIFY PROPER AND RELIABLE OPERATION IN THE ACTUAL APPLICATION. COMPONENT SUBSTITUTION AND PRINTED CIRCUIT BOARD LAYOUT MAY SIGNIFICANTLY AFFECT CIRCUIT PERFORMANCE OR RELIABILITY. CONTACT LINEAR TECHNOLOGY APPLICATIONS ENGINEERING FOR ASSISTANCE.</p> <p>THIS CIRCUIT IS PROPRIETARY TO LINEAR TECHNOLOGY AND SUPPLIED FOR USE WITH LINEAR TECHNOLOGY PARTS.</p>	<h3>APPROVALS</h3>			1630 McCarthy Blvd. Milpitas, CA 95035 Phone: (408)432-1900 www.linear.com Fax: (408)434-0507 LTC Confidential-For Customer Use Only	
	PCB DES.	NC		TITLE: SCHEMATIC	
	APP ENG.	GEORGE B.	WIDE VIN RANGE, LOW NOISE 250mA BUCK - BOOST CHARGE PUMP		
	SCALE = NONE		SIZE N/A	IC NO. LTC3245EMSE DEMO CIRCUIT 1802A	REV. 2
DATE: 06 - 04 - 12			SHEET 1 OF 1		