

1 Products affected

Product hierarchy no. *			Part no.	SBU	Type / Description	Customer part no.
SBU / PG	PGU	Type				
02	006	018	0000001547	See list below	Power Entry Modules with Filters	DA22

*SBU (2-digit) / PG (3-digit) / PGU (3-digit) / Type (10-digit)

List of part numbers affected					
DA22.1111.11	DA22.1121.11	DA22.1321.11	DA22.1322.11	DA22.2111.11	DA22.2121.11
DA22.2321.11	DA22.4111.11	DA22.4121.11	DA22.4321.11	DA22.6111.11	DA22.6121.11
DA22.6321.11	DA22.8111.11	DA22.8121.11	DA22.8321.11	DA22.9111.11	DA22.9121.11
DA22.9321.11					

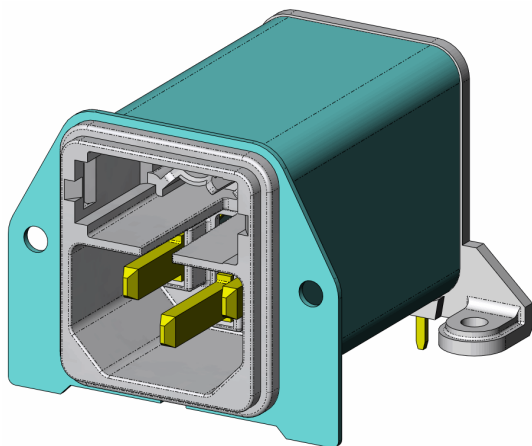
2 Type of change

Product improvement
 Integration of V-Lock cord retention function
 Enlarging of the fuse drawer slot

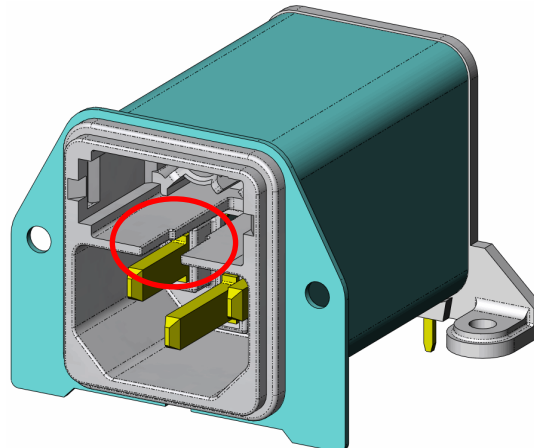
3 Detailed description of change

Fusedrawer slot enlarged.

Old



New



4 Reason of change

Implementation of V-Lock cord retention function.
 Precondition: new fusedrawer required (see PCN 0118.2133).

5 Release date

The change will be rolled-out individually by all part numbers affected starting ww 42/2014 and last approx. 1 months.

DA22					0118.2152	
creation date	created by	release date	released by	notification no.	revision	page
2012-12-17	schaidro	2014-10-14	schaidro	26670	-	1 of 2

6 Impact of change and recommended action

Form: New form is fully backwards compatible (can be used with old fusedrawer, see PCN 0118.2133).
 Fit: n/a
 Function: The new expanded slot allows applying V-Lock cord sets for cord retaining (new fuse drawer necessary).
 Production Site: n/a
 Product Label: n/a

7 Reference Documents / Attachments

Kind of document	Document number	Remarks
PCN fusedrawer 2	0118.2133	
Data sheet Fusedrawer 2		
Data sheet DA22		

DA22					0118.2152	
creation date	created by	release date	released by	notification no.	revision	page
2012-12-17	schaidro	2014-10-14	schaidro	26670	-	2 of 2