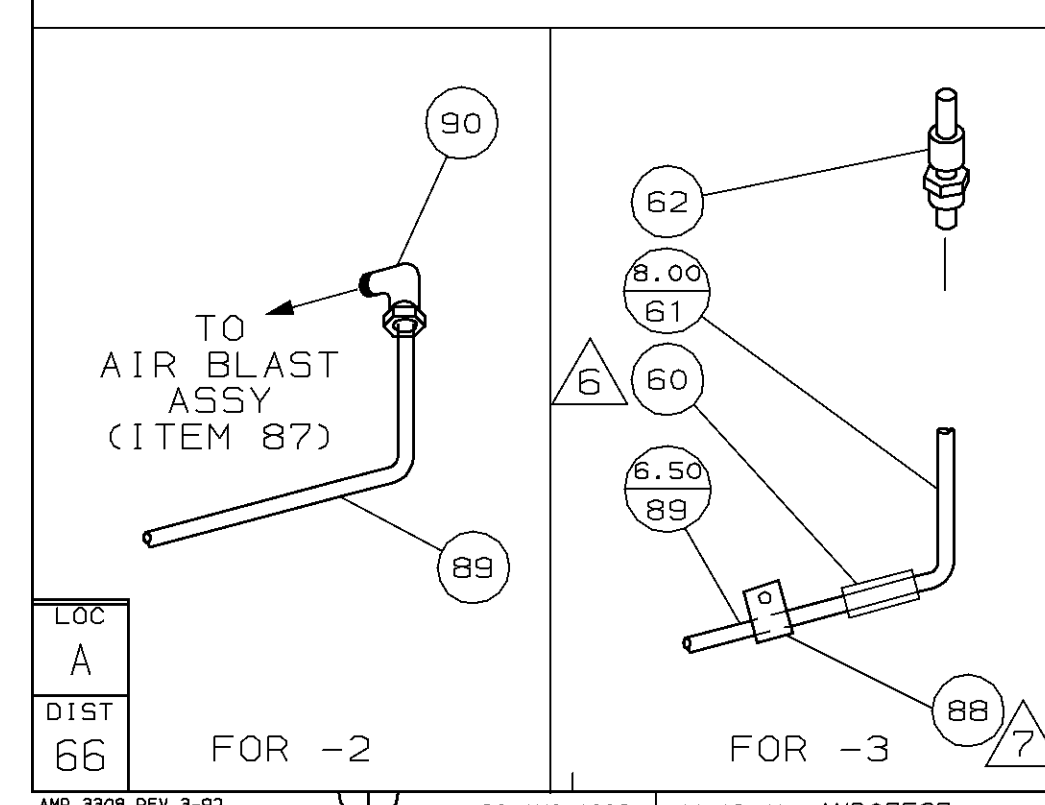
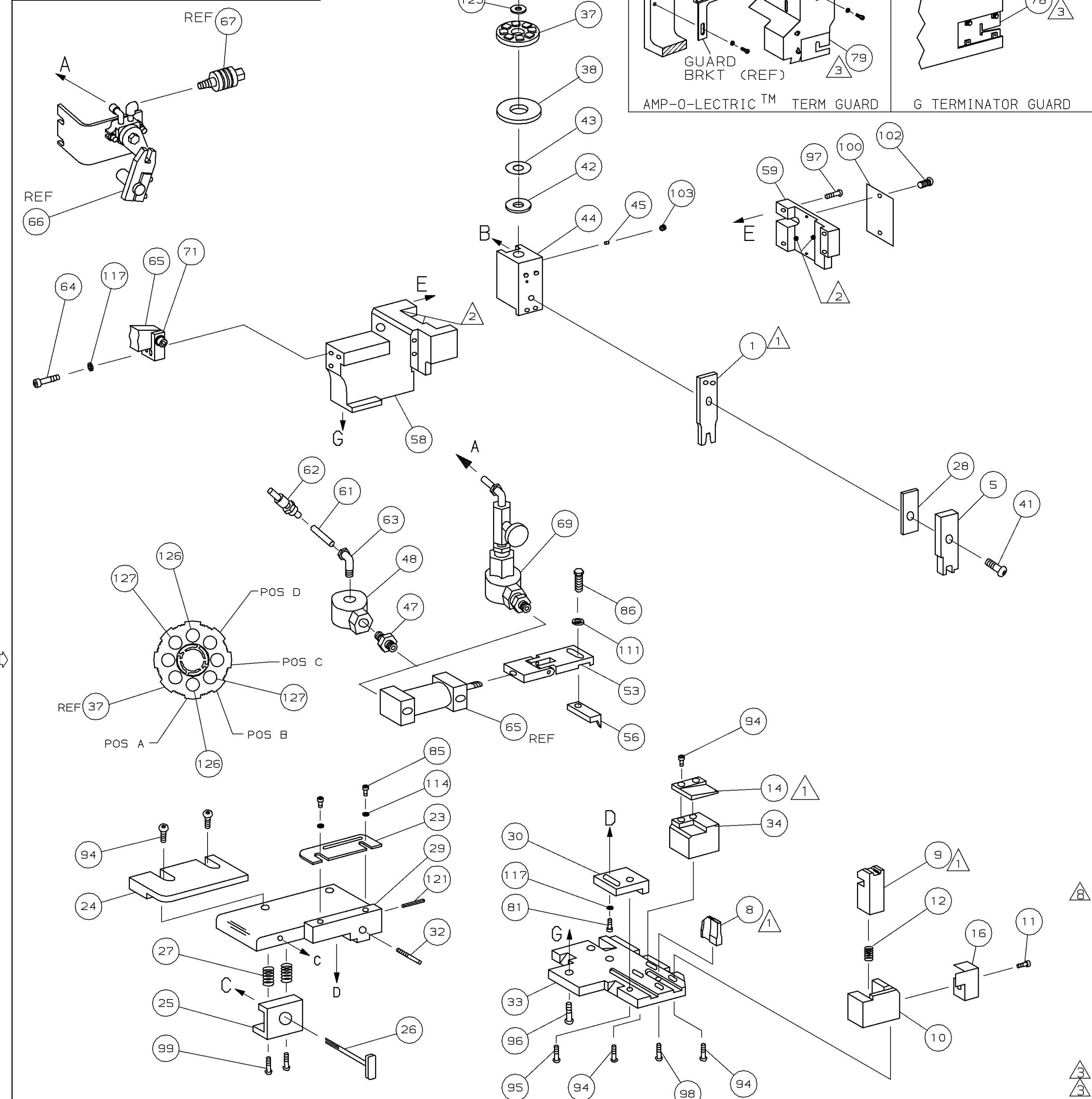


PART NUMBER	REV	FIRST USED
680245 -2	C	565435-5
680245 -3	C	354500-1



- 1 RECOMMENDED SPARE PARTS.
- 2 GREASE LIGHTLY.
- 3 GUARD MUST BE IN PLACE WHEN OPERATING APPLICATOR IN A BENCH MACHINE.
- 4 SEE DRAWING FOR COMPONENTS
- 5 WITH WIRE TRIM FEATURE.
- 6 CENTER ITEM 60 BETWEEN ITEM 61 AND ITEM 89. ATTACH ITEM 60 TO ITEM 89 AND ITEM 61 USING ADHESIVE PN 28829-2.
- 7 INSTALL ITEM 88 TO ITEM 58 USING ITEM 84.
- 8 CUT TO 7.00 INCHES AT ASSY.

TERMINAL NAME: .125 BLADE, AMPLIVAR™ CONTACT

CRIMPING DATA			
PAD LTR	CRIMP HEIGHT	WIRE SIZE	
A	.039 ±.002 [0.99 ±0.05mm]	1100-1600 CMA	
B	.034 ±.002 [0.86 ±0.05mm]	400-1000 CMA	
C	NOT	USED	
D	NOT	USED	
CRIMP	SIZE	TYPE	RANGE
WIRE	.090 [2.29mm]	F	400-1600 CMA
INSUL	-	-	-

WIRE STRIP LENGTH	TERM APPL	SPEC	FEED	APPL INSTRUCTION	SET UP GAGE	LAYOUT
-	-	-	.500	408-8040	458637-1	L1672

QTY	REQD	PER	ASSY	PART NO	DESCRIPTION	ITEM NO	
2	2	.	-	C	5-354779-6	PIN, WIRE DISC (.3270)B	127
2	2	.	-	C	4-354779-4	PIN, WIRE DISC (.3210)A	126
1	1	.	-	A	986950-1	WASHER, FLAT PRECISION	125
1	1	.	-	A	217238-1	DOCUMENTATION PACKAGE	124
1	1	.	-	-	4088040	SF APPL INST 408-8040	123
1	1	.	-	A	4-21028-0	PIN,SLT SPR(φ.093x.75)ST GDE PL	121
1	1	.	-	-	-	-	120
1	1	.	-	-	-	-	119
3	3	.	-	A	21024-5	WASHER, LOCK (#10)ADJ BLOCK	118
2	2	.	-	A	21024-2	WASHER, LOCK (#4)FRONT STP GUIDE	116
1	1	.	-	A	21024-4	WASHER, LOCK (#8)STRIPPER	115
1	1	.	-	A	21009-2	SCR,SKT SET (1/4-20x.25 LW)RAM	114
2	2	.	-	A	21017-2	SCR,DRIVE (#2x.19)ID PLATE	113
1	1	.	-	A	21009-2	SCR,SKT SET (1/4-20x.25 LW)RAM	112
2	2	.	-	A	21017-2	SCR,DRIVE (#2x.19)ID PLATE	111
1	1	.	-	B	461264-1	PLATE, IDENTIFICATION	110
2	2	.	-	A	3-21002-0	SCR,BHC (10-32x.88)DRAG	109
1	1	.	-	A	22733-8	SCR,BHC (8-32x.38 LW)ANVIL	108
4	4	.	-	A	2-21002-9	SCR,BHC (10-32x.75)CAP	107
3	3	.	-	A	2-22733-8	SCR,BHC (1/4-20x.62)HSG	106
1	1	.	-	A	2-21002-7	SCR,BHC (10-32x.50)SG ADJ BLK	105
8	8	.	-	A	2-21002-2	SCR,BHC (8-32x.50)TERM H DWN	104
-	1	.	-	A	22317-3	ELBOW,METAL, .25 T-1/8 NPT	103
1	1	.	-	A	689446-2	AIR BLAST TUBE	102
1	-	.	-	A	23545-1	CLAMP, WIRE	101
-	1	.	-	A	455350-1	AIR BLAST ASSEMBLY	100
1	1	.	-	A	2-22603-1	SCR,HEX HD (8-32x.38)FEED FINGER	99
2	2	.	-	A	1-21000-3	SCR,SHC (4-40x.25)F ST GUIDE	98
1	1	.	-	A	3-21000-4	SCR,SHC (10-32x.38)SG ADJ BL	97
-	REF	.	-	B	455749-1	GUARD, WINDOW	96
REF	-	.	-	B	679532-1	INSERT, GUARD	95
1	1	.	-	B	459610-3	MOUNT, FEED BRACKET	94
-3	-2	.	U/M	DWG SIZE	PART NO	DESCRIPTION	ITEM NO

QTY	REQD	PER	ASSY	PART NO	DESCRIPTION	ITEM NO	
1	1	.	-	B	459610-3	MOUNT, FEED BRACKET	71
-3	-2	.	U/M	DWG SIZE	PART NO	DESCRIPTION	ITEM NO

QTY	REQD	PER	ASSY	PART NO	DESCRIPTION	ITEM NO	
-	2	.	-	BENCH MODEL K	AIRFEED	70	
-	3	.	-	BENCH MODEL G	AIRFEED	69	
-	1	.	-	C	692655-5	AIR FEED VALVE ASSY	68
-	REF	.	-	A	24042-2	VALVE, SHUT OFF	67
-	REF	.	-	C	692655-6	AIR FEED VALVE ASSY	66
1	1	.	-	B	461065-1	AIR FEED ASSY (1 INCH)	65
2	2	.	-	A	3-21000-7	SCR,SHC (10-32x.75)AIR ASSY	64
1	-	.	-	A	983427-6	ELBOW, SWIVEL 1/8 NPT - 1/4 T	63
2	-	.	-	A	23238-1	QUICK DISCONNECT	62
21.00	-	.	IN	A	27319-4	TUBING, POLY-FLO φ.25	61
2.00	-	.	IN	A	27319-3	TUBING, POLY-FLO φ.38	60
1	1	.	-	C	454220-1	CAP, RAM	59
1	1	.	-	D	454485-1	HOUSING	58
1	1	.	-	B	690542-2	PAWL, FEED	57
1	1	.	-	B	461062-1	FEED FINGER ASSY	56
1	1	.	-	A	22374-7	VALVE, QUICK EXHAUST	55
1	-	.	-	A	22304-1	NIPPLE, HEX 1/8 NPT	54
1	1	.	-	A	690191-1	PLUG, NYLON	53
1	1	.	-	C	455673-1	RAM	52
1	1	.	-	A	690125-1	WASHER, LAMINATED	51
1	1	.	-	A	690124-1	WASHER, RAM	50
1	1	.	-	A	7-21002-9	BOLT, CRIMPER (5/16x1.00)	49
1	1	.	-	A	690223-2	SPACER, INSULATION DISC	48
1	1	.	-	D	354777-1	WIRE DISC, PLASTIC	47
1	1	.	-	A	22480-5	WASHER, SPRING	46
1	1	.	-	B	690212-1	POST, RAM	45
1	1	.	-	C	318548-1	SUPPORT, SHEAR	44
1	1	.	-	D	455675-1	PLATE, BASE	43
1	1	.	-	A	690432-3	SCREW, ADJUSTMENT	42
1	1	.	-	B	455689-1	BLOCK, STRIP GUIDE ADJ	41
1	1	.	-	C	455671-1	PLATE, STRIP GUIDE	40
1	1	.	-	C	1-455888-5	SPACER, FRONT SHEAR DEP	39
2	2	.	-	A	1-22284-0	SPRING, DRAG	38
1	1	.	-	B	690546-1	LEVER, DRAG RELEASE	37
1	1	.	-	B	240792-1	DRAG, TERMINAL	36
1	1	.	-	D	6-690504-3	GUIDE, STRIP (REAR)	35
1	1	.	-	A	690438-1	GUIDE, STRIP (FRONT)	34
1	1	.	-	B	455689-1	BLOCK, STRIP GUIDE ADJ	33
1	1	.	-	C	455671-1	PLATE, STRIP GUIDE	32
1	1	.	-	C	1-455888-5	SPACER, FRONT SHEAR DEP	31
2	2	.	-	A	1-22284-0	SPRING, DRAG	30
1	1	.	-	B	690546-1	LEVER, DRAG RELEASE	29
1	1	.	-	B	240792-1	DRAG, TERMINAL	28
1	1	.	-	D	6-690504-3	GUIDE, STRIP (REAR)	27
1	1	.	-	A	690438-1	GUIDE, STRIP (FRONT)	26
1	1	.	-	B	455689-1	BLOCK, STRIP GUIDE ADJ	25
1	1	.	-	C	455671-1	PLATE, STRIP GUIDE	24
1	1	.	-	C	1-455888-5	SPACER, FRONT SHEAR DEP	23
2	2	.	-	A	1-22284-0	SPRING, DRAG	22
1	1	.	-	B	690546-1	LEVER, DRAG RELEASE	21
1	1	.	-	B	240792-1	DRAG, TERMINAL	20
1	1	.	-	D	6-690504-3	GUIDE, STRIP (REAR)	19
1	1	.	-	A	690438-1	GUIDE, STRIP (FRONT)	18
1	1	.	-	B	455689-1	BLOCK, STRIP GUIDE ADJ	17
1	1	.	-	C	455671-1	PLATE, STRIP GUIDE	16
1	1	.	-	C	318563-1	GUARD, CHIP, FRONT	15
1	1	.	-	C	318547-1	SHEAR PLATE, WIRE	14
1	1	.	-	A	5-22280-0	SPRING, SHEAR	13
1	1	.	-	B	690461-1	STOP, SHEAR	12
1	1	.	-	C	690459-1	HOLDER, SHEAR (FRONT)	11
1	1	.	-	C	454276-1	SHEAR, FLOAT (FRONT)	10
1	1	.	-	C	1-805840-1	ANVIL	9
1	1	.	-	C	1-455889-4	DEPRESSOR, SHEAR (FRONT)	8
1	1	.	-	C	318542-3	CRIMPER, WIRE	7
-3	-2	.	U/M	DWG SIZE	PART NO	DESCRIPTION	ITEM NO

QTY	REQD	PER	ASSY	PART NO	DESCRIPTION	ITEM NO	
1	1	.	-	C	318542-3	CRIMPER, WIRE	1
-3	-2	.	U/M	DWG SIZE	PART NO	DESCRIPTION	ITEM NO

THIS DRAWING IS A CONTROLLED DOCUMENT FOR AMP INCORPORATED. IT IS SUBJECT TO CHANGE AND THE CONTROLLING ENGINEERING ORGANIZATION SHOULD BE CONTACTED FOR THE LATEST REVISION.

THIS INFORMATION IS CONFIDENTIAL AND IS DISCLOSED TO YOU ON CONDITION THAT NO FURTHER DISCLOSURE IS MADE BY YOU TO OTHER THAN AMP PERSONNEL WITHOUT WRITTEN AUTHORIZATION FROM AMP INCORPORATED, HARRISBURG, PA.