

NOTES:

REFERENCE STANDARD IEC60169-11

I. ELECTRICAL PERFORMANCE -

NOMINAL IMPEDANCE : 50  $\Omega$   
 FREQUENCY RANGE : DC-3.0 GHz  
 VSWR : 1.100 MAX.  
 INSERTION LOSS : 0.100 dB MAX. (@3.0 GHz)  
 PIM : -160 dBc MAX. (2X43dBm)  
 INSULATION RESISTANCE : 5000 M $\Omega$  MIN.  
 D.W.V : 2500 VRMS  
 CONDUCTOR RESISTANCE : OUTER CONDUCTOR 0.5 m $\Omega$  MAX.  
 INNER CONDUCTOR 1.0 m $\Omega$  MAX.

II. MECHANICAL PERFORMANCE -

RETENTION : 4.00 N - 9.00 N  
 MATING CYCLES : 500 MIN.

III. MATERIAL AND PLATING -

INNER CONDUCTOR : SPRING COPPER ALLOY, PLATING = Ag (5 $\mu$ m MIN.)  
 OUTER CONDUCTOR : BRASS, PLATING = COPPER-TIN-ZINC (2 $\mu$ m MIN.)  
 INSULATOR : PTFE

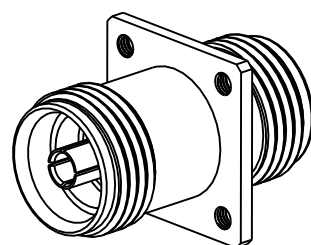
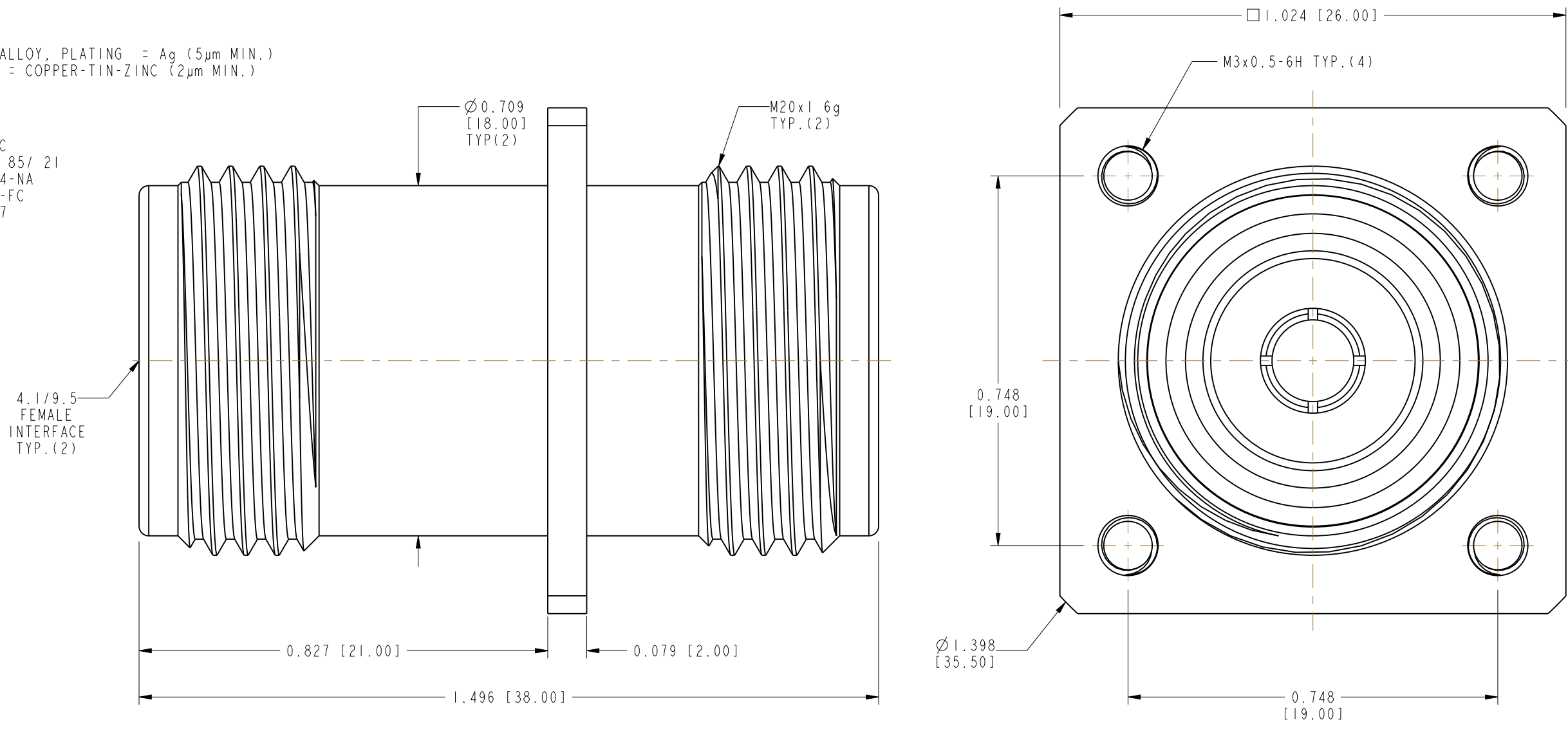
IV. ENVIRONMENTAL -

TEMP. RANGE : -40°C TO +85°C  
 WEATHER STANDAR : IEC 60068 40/ 85/ 21  
 THERMAL SHOCK : IEC 60068-2-14-NA  
 VIBRATION : IEC 60068-2-6-FC  
 SHOCK : IEC 60068-2-27

V. ROHS COMPLIANT

332109		REVISIONS			
DRAWING NO.	REV	DESCRIPTION	DATE	ECO	APPR
THIRD ANGLE PROJ.	A	RELEASE TO MFG.	17-Sep-13	----	AAP/BG
	B	A) -160 dBc WAS: 120 dBc	20-Aug-14	2796	BCG

**CUSTOMER OUTLINE DRAWING**  
 ALL OTHER SHEETS ARE FOR INTERNAL USE ONLY



SCALE 1.000

UNLESS OTHERWISE SPECIFIED, DIMENSIONS ARE IN INCHES AND TOLERANCES ARE: 2 PLACE DECIMAL ±.015 (0,381 mm) 3 PLACE DECIMAL ±.005 (0,127 mm) ANGLES ± 1°	MATERIAL	DRAWN	DATE	TITLE 4.1/9.5 FEMALE TO 4.1/9.5 FEMALE ADAPTER	Amphenol Connex
	SEE NOTES	A ARUN PRABU	05-Sep-13		
NOTICE - These drawings, specifications, or other data (1) are, and remain the property of Amphenol Corp. (2) must be returned upon request; and (3) are confidential and not to be disclosed to any person other than those to whom they are given by Amphenol Corp. The furnishing of these drawings, specifications, or other data by Amphenol Corp., or to any other person to anyone for any purpose is not to be regarded by implication or otherwise in any manner licensing, granting rights or permitting such holder or any other person to manufacture, use or sell any product, process or design, patented or otherwise, that may in any way be related to or disclosed by said drawings, specifications, or other data.	REFERENCE	ENGINEER	DATE	SCALE: 4.0:1 SHEET 1 OF 1	
		A ARUN PRABU	05-Sep-13	DWG SIZE B	DRAWING NO. 332109
		APPROVED	DATE		
		B.C. GLEISSNER	17-Sep-13		
		CAD FILE			