

inspired LED

24V Flexible LED Strip Lights

Mega Bright 75Ω  [®]
C US
265216



Warm White Pure White

Inspired LED's **24 Volt Flexible Strip Lights** are an ideal solution for large LED lighting systems. Available in custom lengths or 12M reels, these unique strips can be cut to length and terminated with solderless end connectors for easy DIY installation. Energy efficient, long lasting, and dimmable with compatible systems, Inspired LED flex strips are the perfect option for any lighting application.

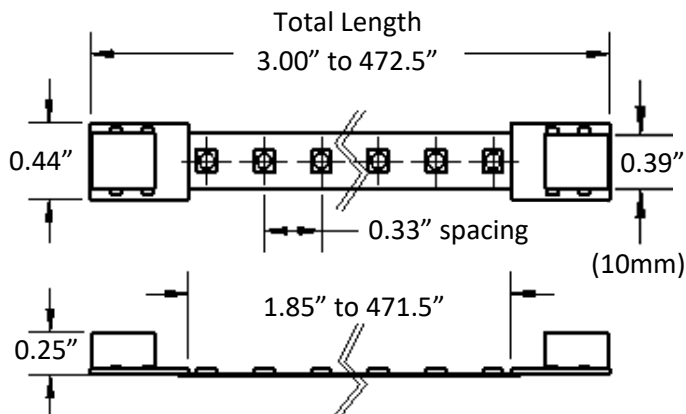
Specifications:

| | Voltage | LED Density | Wattage | Luminosity | Color Temp | CRI |
|------------|---------|-------------------------|------------|------------|------------|-----|
| Warm White | 24V | 36 LEDs/ft., 120 LEDs/m | 6.75 W/ft. | 680 lm/ft. | 2700 K | 81 |
| Pure White | 24V | 36 LEDs/ft., 120 LEDs/m | 6.75 W/ft. | 740 lm/ft. | 4100 K | 82 |

Product Features:

- Size 2835 diodes, 0.33" spacing between each LED
- 10mm flex, cut points available every 2" (6 LEDs)
- Available in custom pre-cut lengths or full 12m reels
- Class 2 DC plug-in connectors (3.5 x 1.3 mm) or screw terminal end connectors available
- Adhesive backing mounts to almost any flat surface
- Minimal heat production, no IR or UV output
- Dimmable with compatible systems
- Rated to last up to 100,000 hours
- CSA C22.2 No. 250.0-08/ANSI/ UL Standard 1598, 8750
- **To be installed in accordance with NEC, using Class 2 24V power supply!**

Product Dimensions:



*Dimensions show in inches

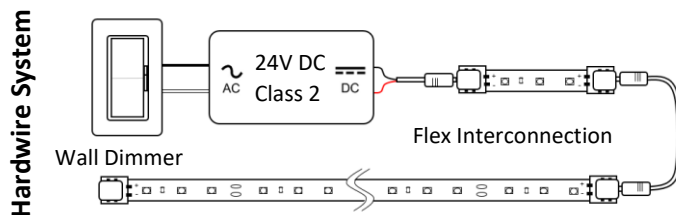
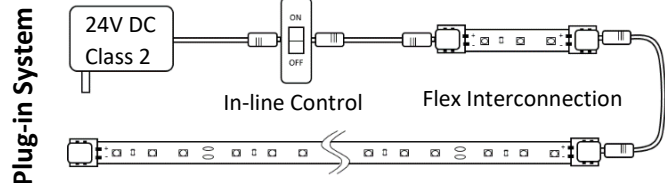
Power Requirements:

| Power Source | Max Length |
|------------------|-----------------|
| 3.75 Amp Plug-in | 145.75" (80 W) |
| 96W Transformer | 151.5" (86 W) |
| 150W Transformer | 240.25" (135 W) |
| 300W Transformer | 480" (270 W) |

*Individual strips over 100" should be powered from the center, strips should not exceed 200"

Installation Instructions:

1. Clean desired mounting surface(s) and test all products prior to installation.
2. Temporarily mount LED flex strips using scotch or painters tape.
3. Connect LED strips with compatible interconnect cables or 16-22 AWG wire.
4. Run cable from LED system to control device and 12V Class 2 power source (see diagrams below for more detail).
5. Test lighting system. When satisfied with placement, peel adhesive backing from components and press firmly to adhere to surface.



inspiredled.com



orders@inspiredled.com



(480) 941-4286