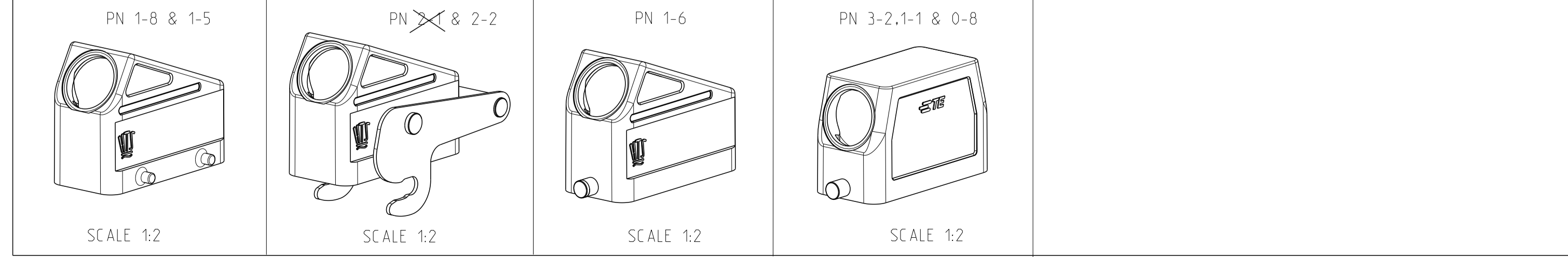
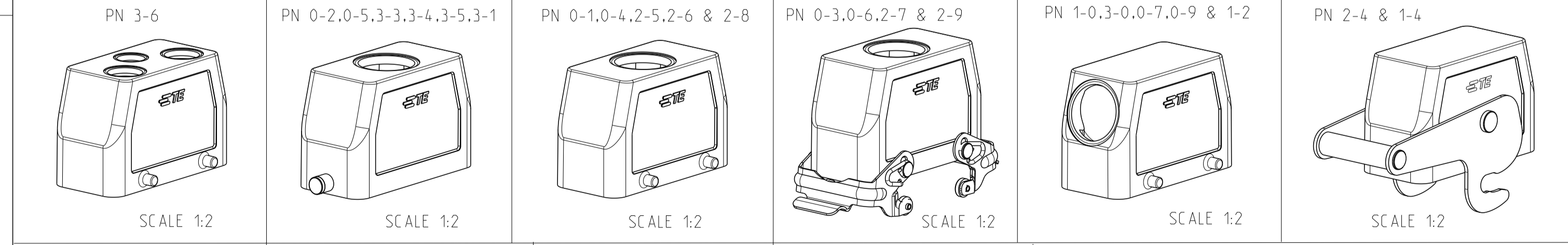
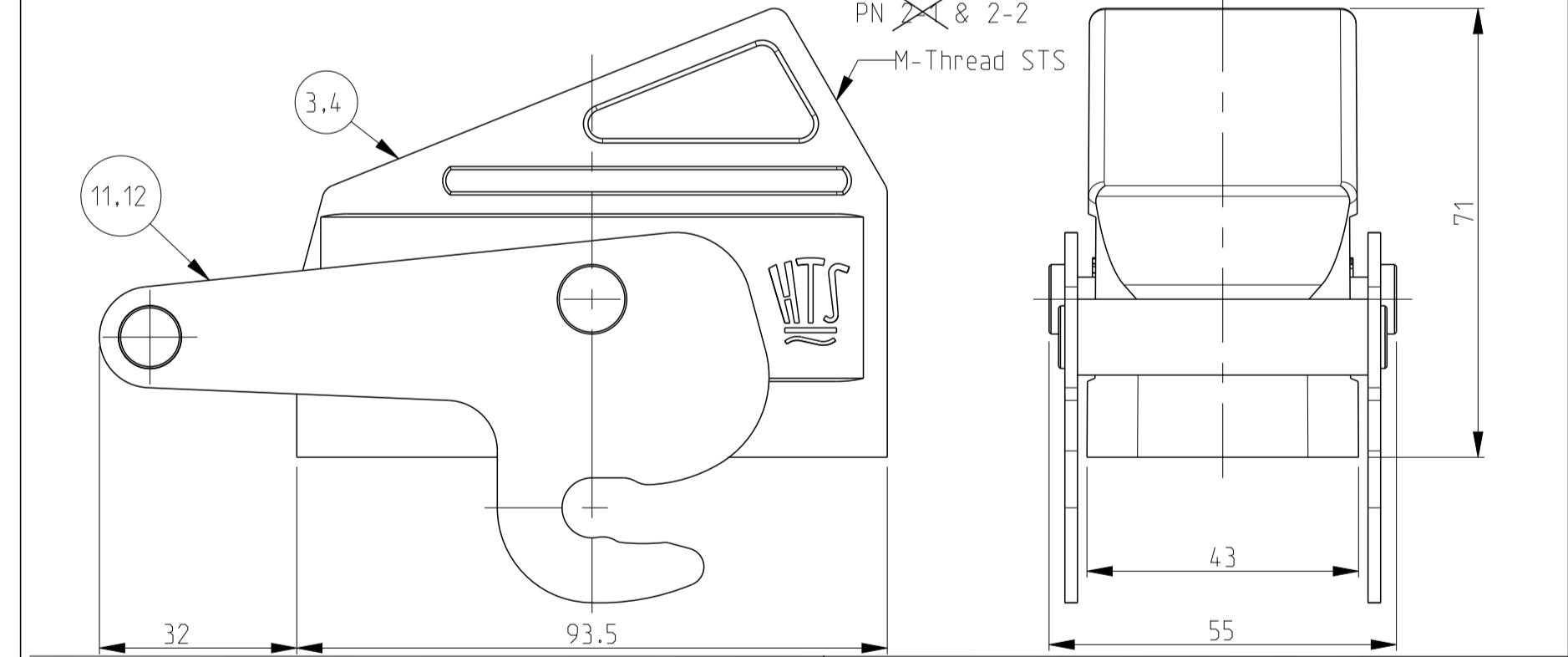
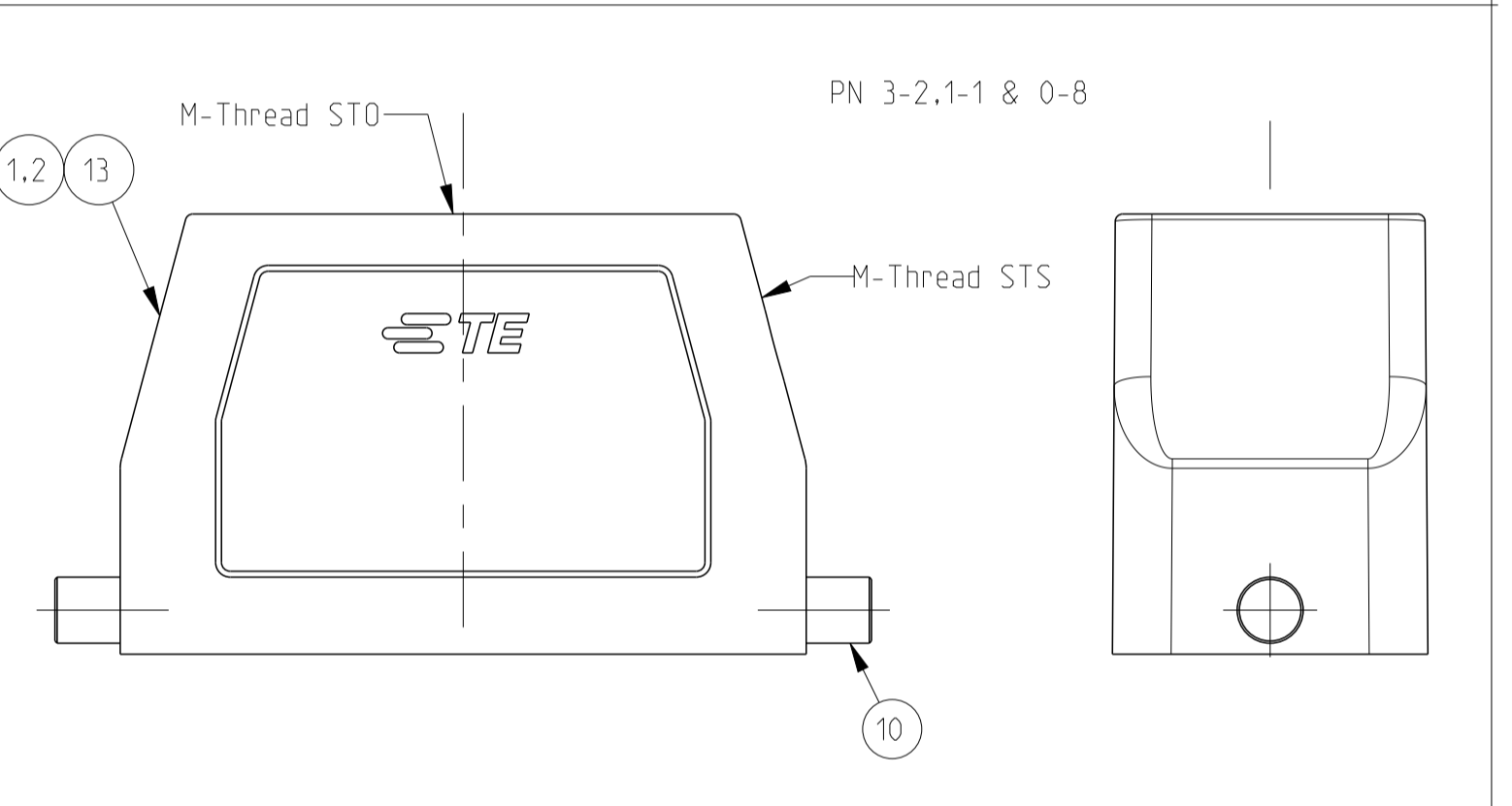
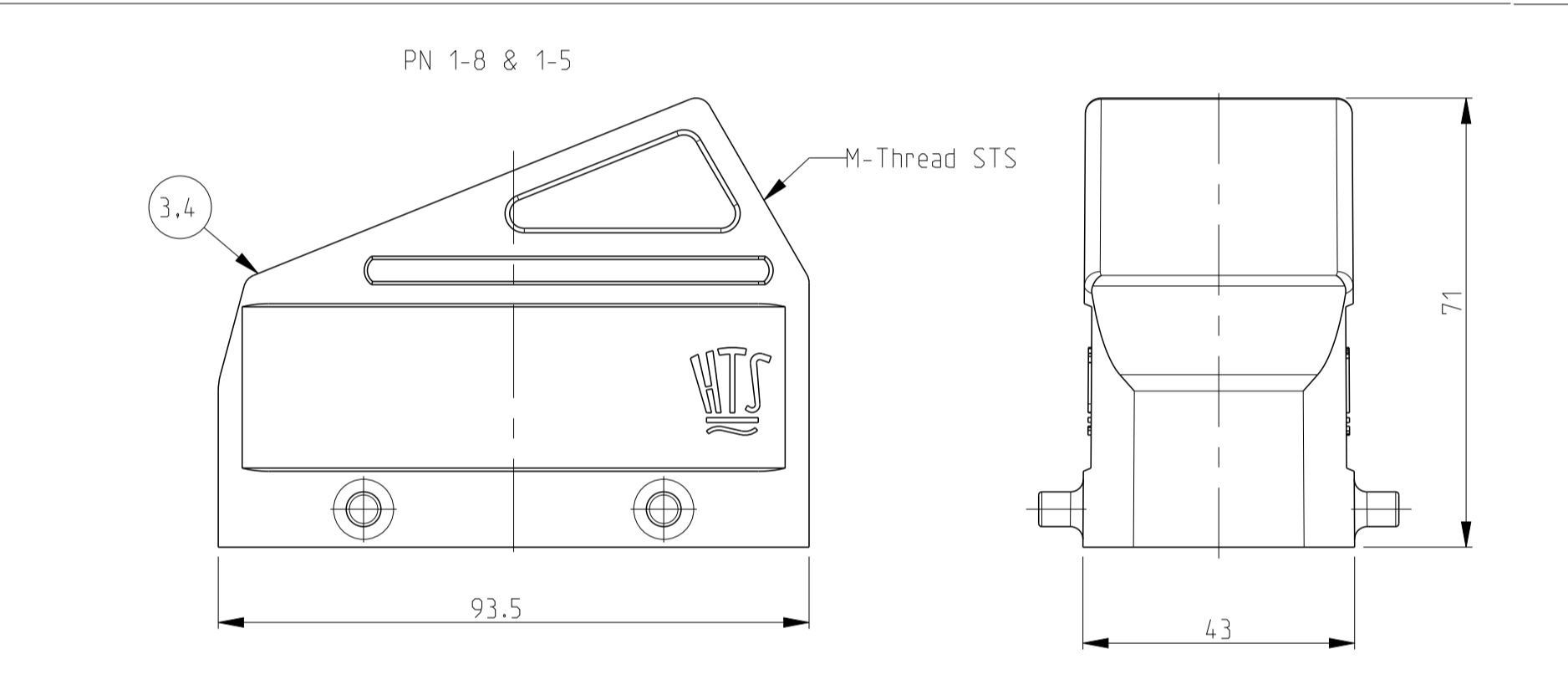
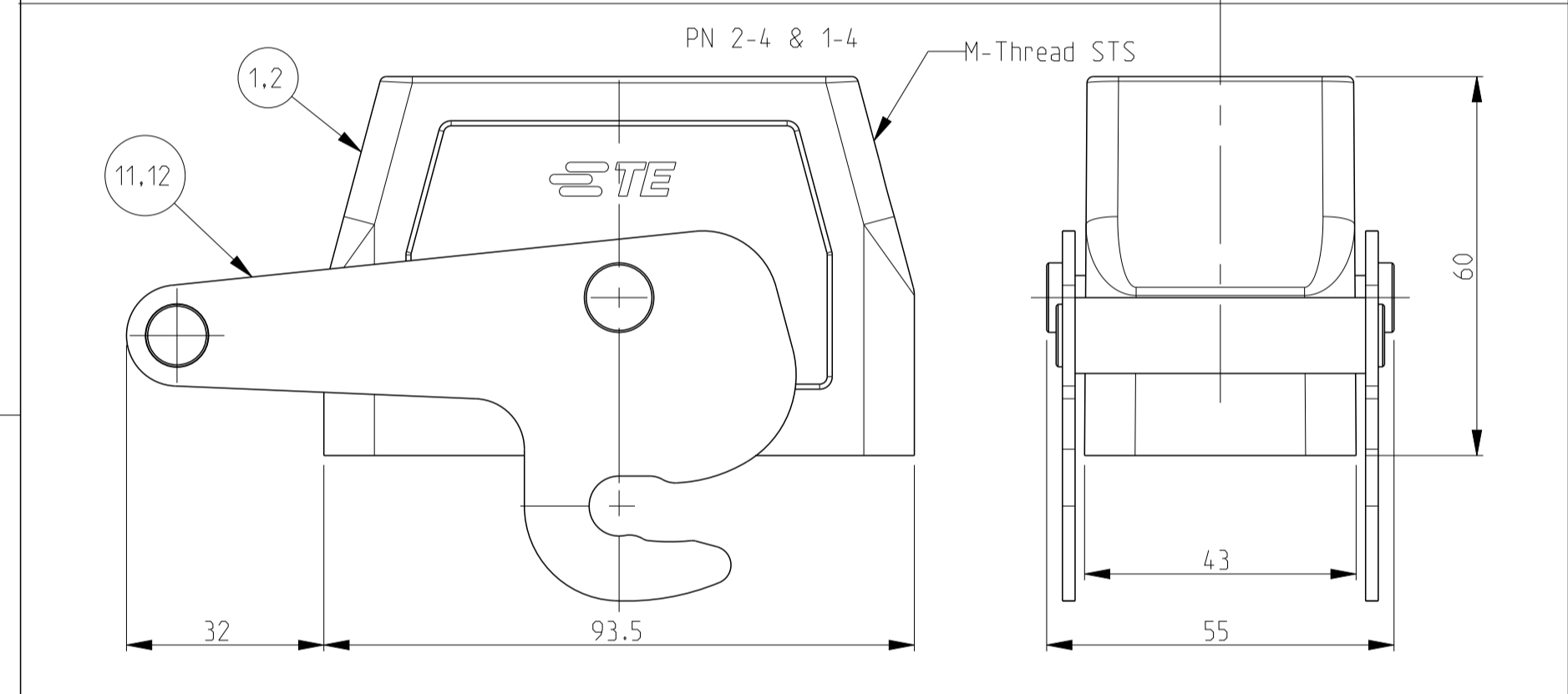
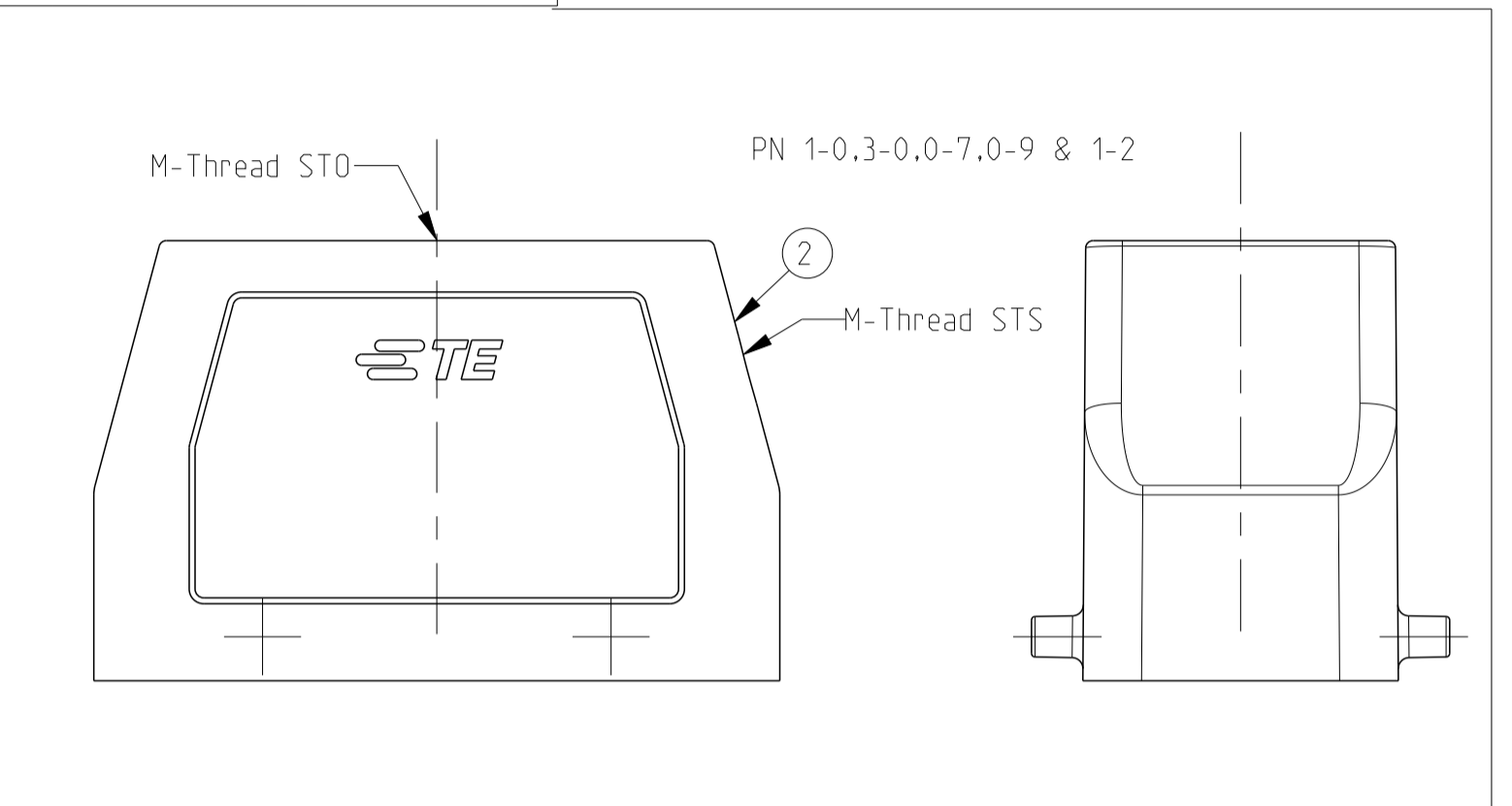
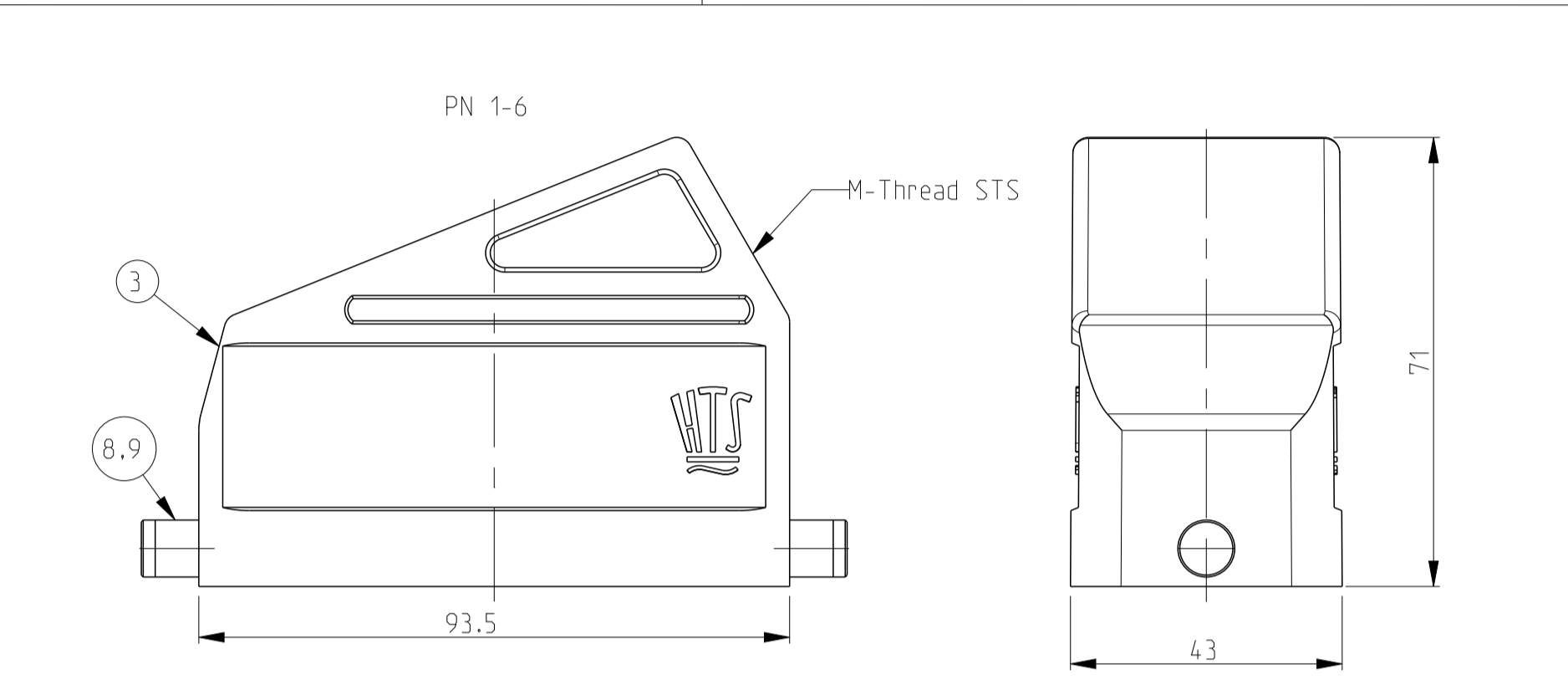
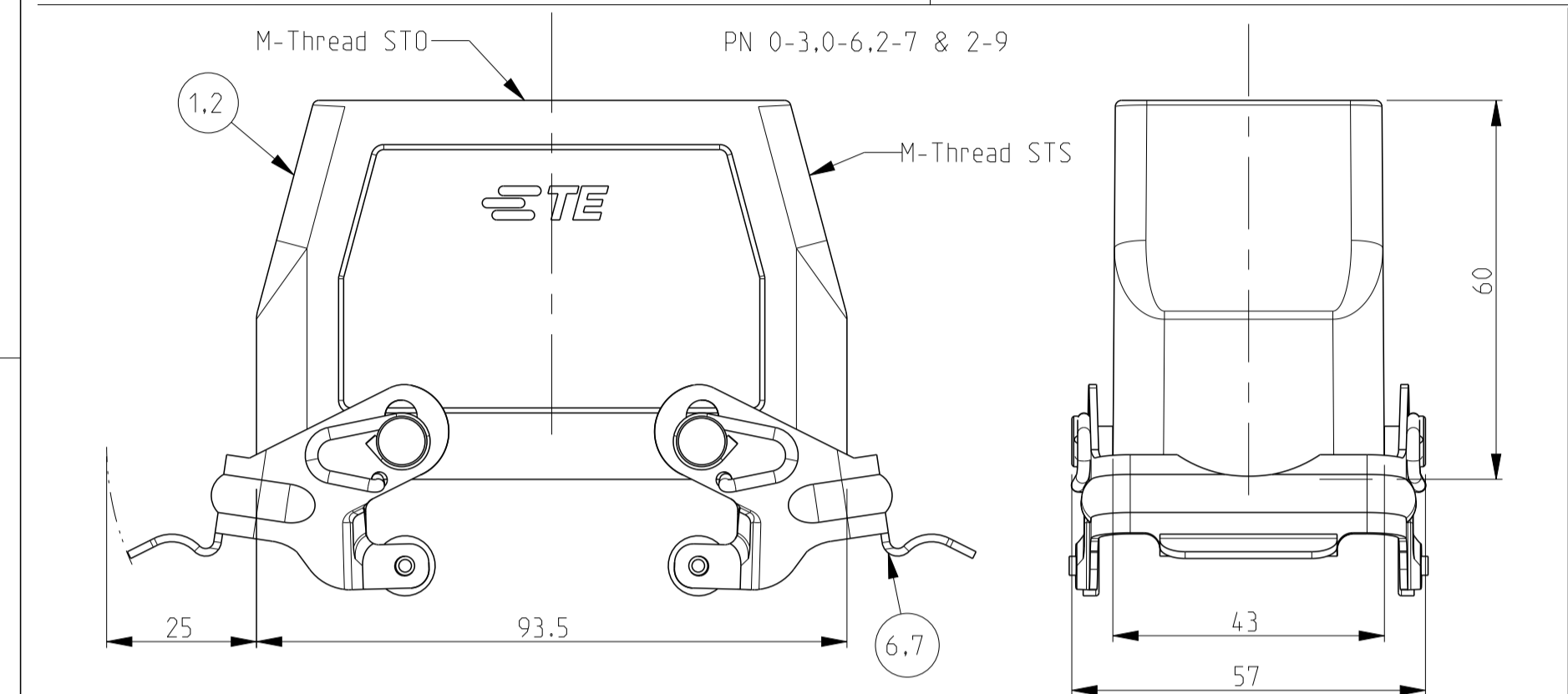
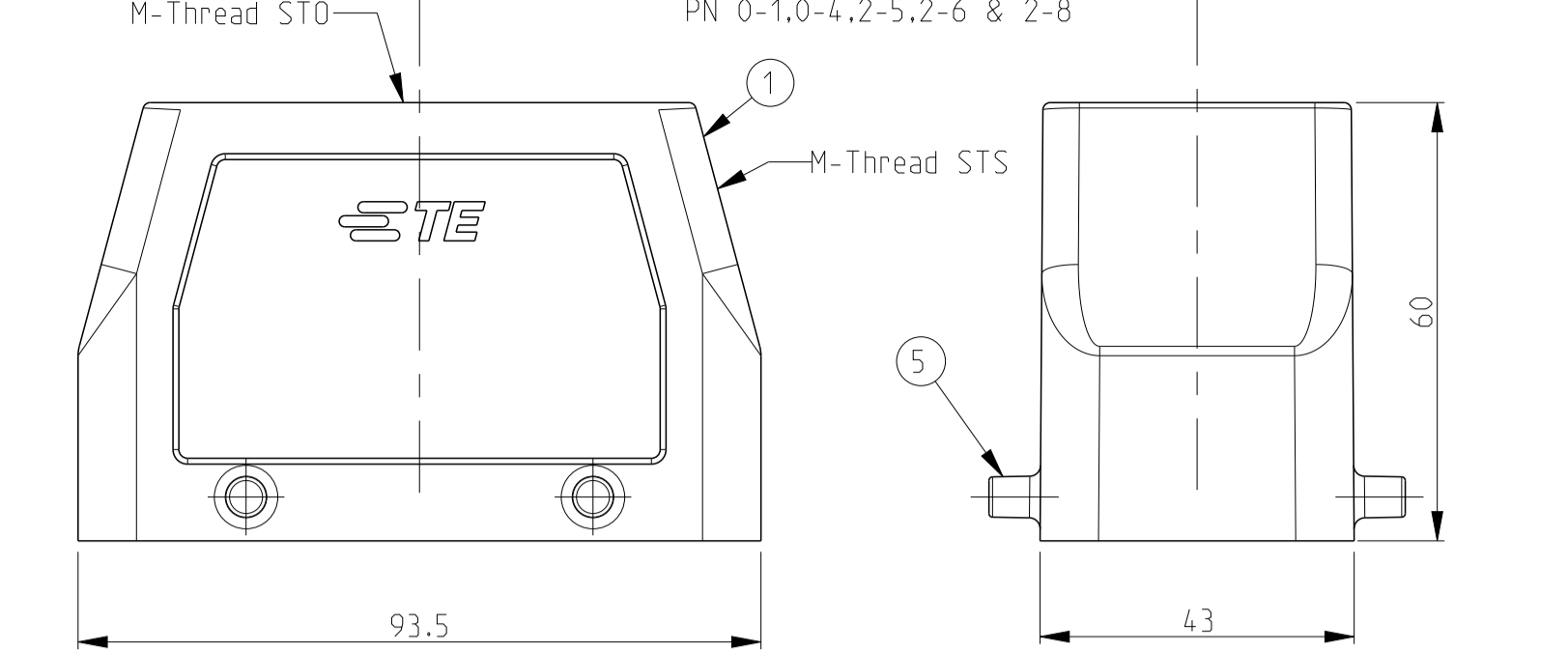
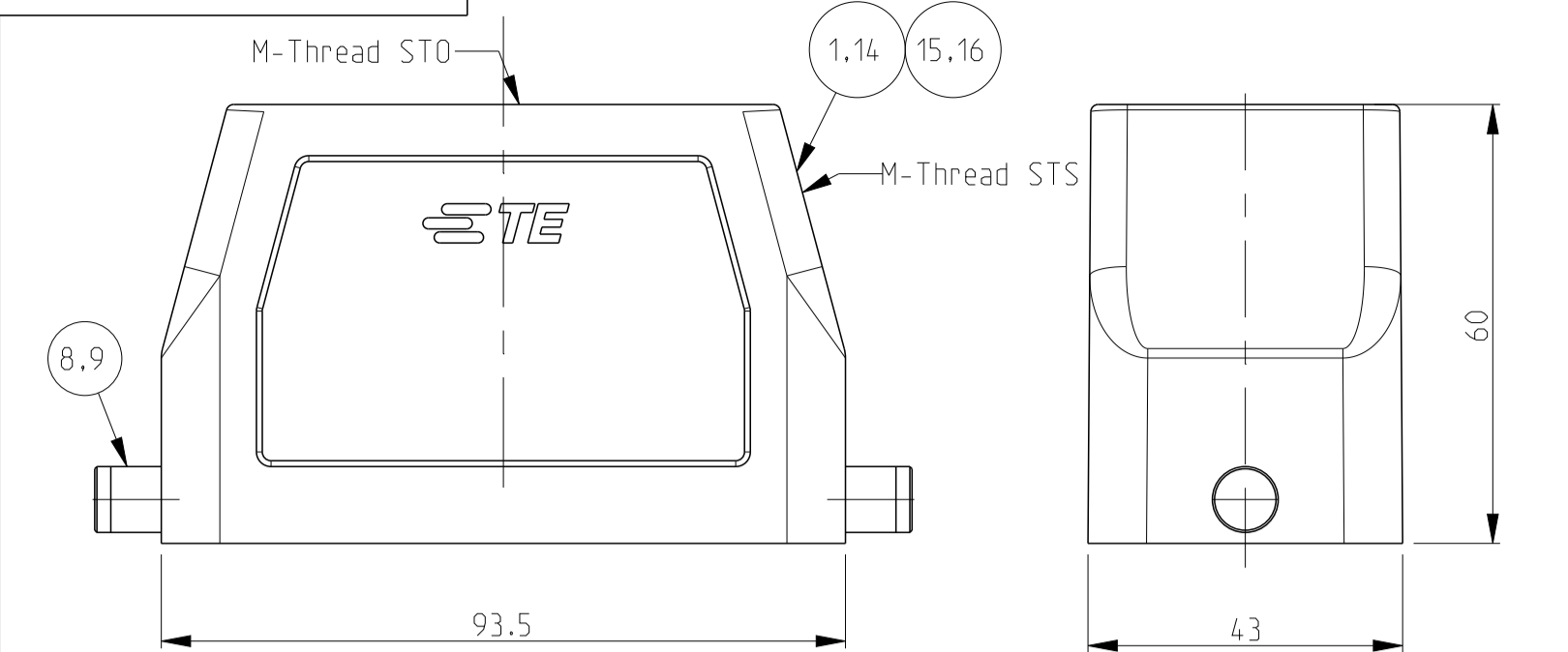
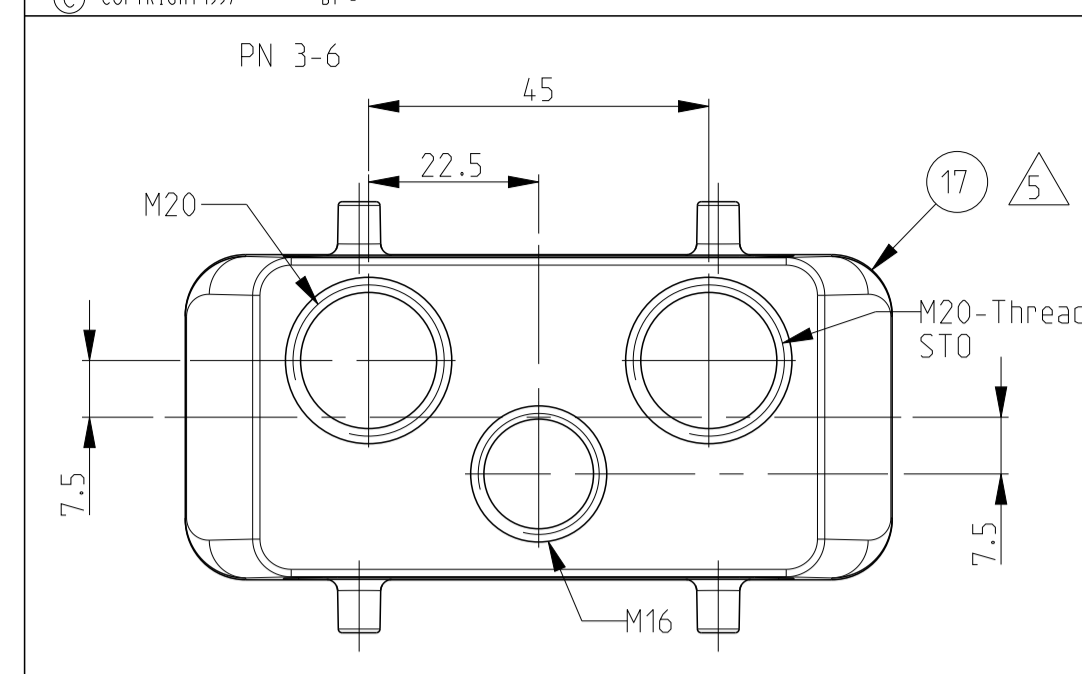


REVISIONS				
P.	LTN.	DESCRIPTION	DATE	DMN. APVD.
B4		ECR-15-016632	28NOV2016	GCM MKO
B5		REVISED PER ECR-16-016780	22AUG2017	NG MKO
B6		ECR-17-014013	26MAR18	SG MKO
B7		ECR-21-123564	15JUL2022	RK JB

- NOTES
- 1 Surface: - Powder varnish grey  
 - Aluminium oxide--Varnish black  
 - Chromital TCP passivation-varnish black
  - 2 Varnish on the inside not necessary
  - 3 Packaging  
 Packaging quantity 5 piece in a box
  - 4 Special Packaging



ITEM NO	DESCRIPTION	MATERIAL	SURFACE	COLOR	ITEM NO	NOTES
17	HB Hood	Aluminium		Grey	17	5
16	HB-EMV Hood	Aluminium	SEE NOTE 1	Black	16	
15	HB Hood	Aluminium		Grey	15	
14	HB Hood	Aluminium		Fire red, RAL 3000	14	
13	HB-EMV Hood	Aluminium	SEE NOTE 1	With out varnish	13	
12	ZB-Clip bolt	Stainless steel	Blank		12	
11	ZB-Clip bolt	Steel	Zinc plated	Blue	11	
10	LB-Clip bolt	Stainless steel	Blank		10	
9	LB-Clip bolt	Steel	Zinc plated	Blue	9	
8	LB-Side clip	Steel	Zinc plated	Blue	8	
7	VS-Locking Clip	Stainless steel	Blank		7	
6	VS-Locking Clip	Steel	Zinc plated	Blue	6	
5	VS-Clip bolt	Stainless steel	Blank		5	
4	HB-K Hood	Aluminium	Aluminium oxide	Black	4	
3	HB Hood	Aluminium		Grey	3	
2	HB-K Hood	Aluminium	Aluminium oxide	Black	2	
1	HB Hood	Aluminium		Grey	1	

ORDERING TEXT

THIS DRAWING IS A CONTROLLED DOCUMENT.

DMN: Schneider 16.01.2002  
 CHK: Schweiger 16.01.2002

PRODUCT SPEC: 108-74001  
 108-74003  
 APPLICATION SPEC: 114-74001  
 114-74004

NAME: Hood  
 HB.16.M32.G

SIZE: A1  
 CAGE CODE: 00779  
 DRAWING NO: C=1106449

RESTRICTED TO: 1 OF 1  
 SCALE: 5:1  
 SHEET: 1 OF 1  
 REV: 87