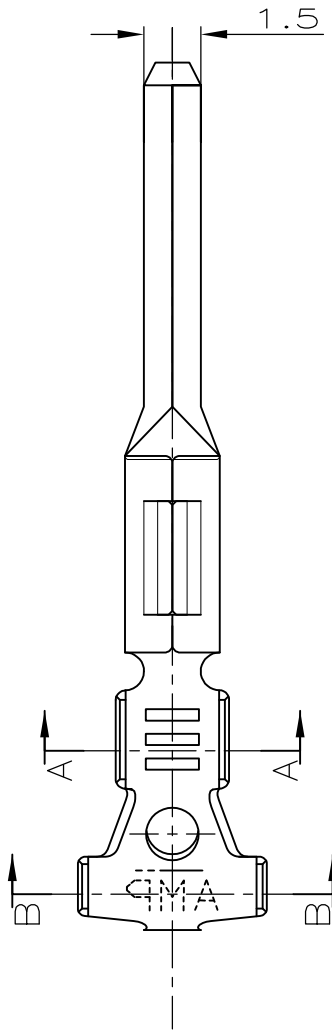
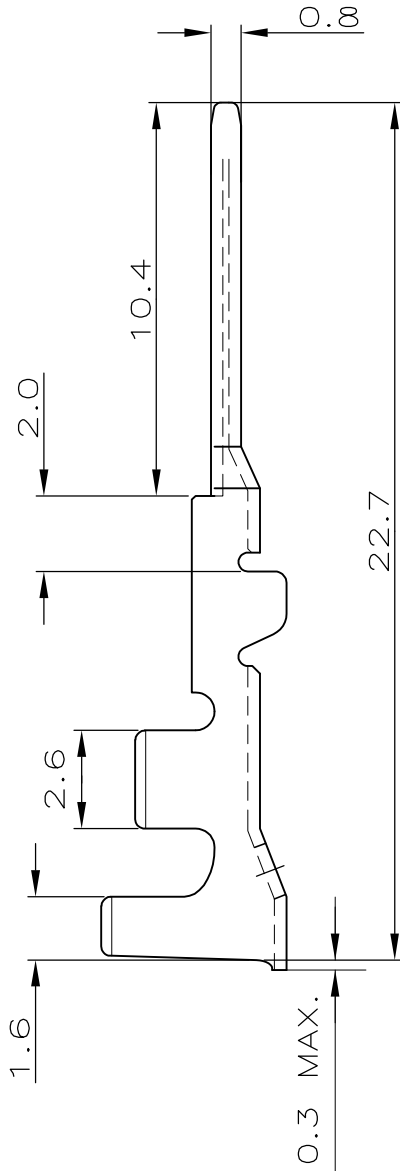
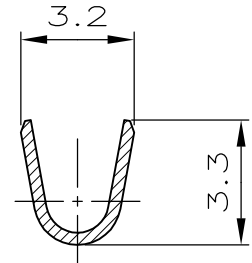


METRIC

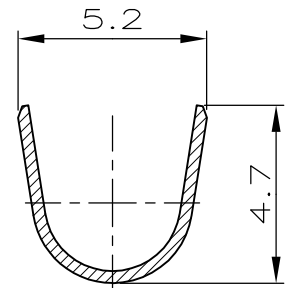
LOC	DIST	REVISIONS					
I	—	P	LTR	DESCRIPTION	DATE	DWN	APVD
		C1		REVISED PER ECO-11-005033	1APR11	RK	HMR



PARTIAL SECTION A-A



PARTIAL SECTION B-B



- ① RICAVATO DAL P/N 282109-1 (MADE FROM P/N 282109-1)
- ② ADATTO PER GOMMINO PASSACAVO 281934-... (SUITABLE FOR SINGLE WIRE SEAL 281934-...)

DIAM. ISOLANTE (INS. DIA. RANGE)	RANGO FILO (WIRE RANGE)
②	0.75-1.5mm ²

PRESTAGNATO (PRE-TIN PLTD.)	OTTONE (BRASS)	① 183024-1
FINITURA / COLORE (FINISH / COLOUR)	MATERIALE (MATERIAL)	NUMERO (PART NUMBER)

CUSTOMER DWG. FOR REFERENCE ONLY

DISEGNO PER CLIENTE SOLO PER RIFERIMENTO

RELEASED FOR PUBLICATION

ALL RIGHTS RESERVED.

THIS DRAWING IS UNPUBLISHED.

© COPYRIGHT - By -

DIMENSIONS:
mm

DWN BASSANO 9 NOV.90

MATERIAL - FINISH -

TE Connectivity

CHK A.BRUNI 9 NOV.90

APVD -

PRODUCT SPEC -

APPLICATION SPEC -

WEIGHT -

NAME
MINI MIC SRS TAB CONTACT (LOOSE PIECE VERSION)

SIZE A4 CAGE CODE 00779 DRAWING NO C-183024 RESTRICTED TO -

CUSTOMER DRAWING

SCALE 5:1 SHEET 1 OF 1 REV C1

TOLERANCES UNLESS OTHERWISE SPECIFIED:

0 PLC	± -
1 PLC	± 0.3
2 PLC	± -
3 PLC	± -
4 PLC	± -
ANGLES	± 2'

