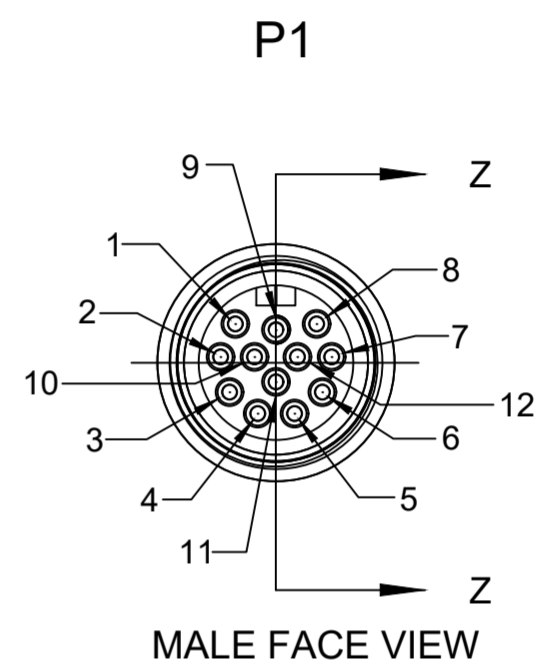
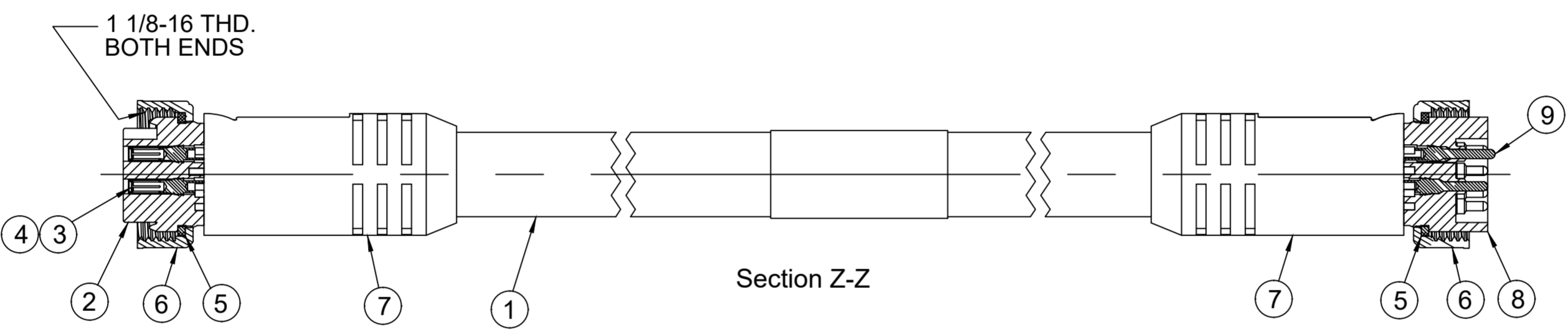
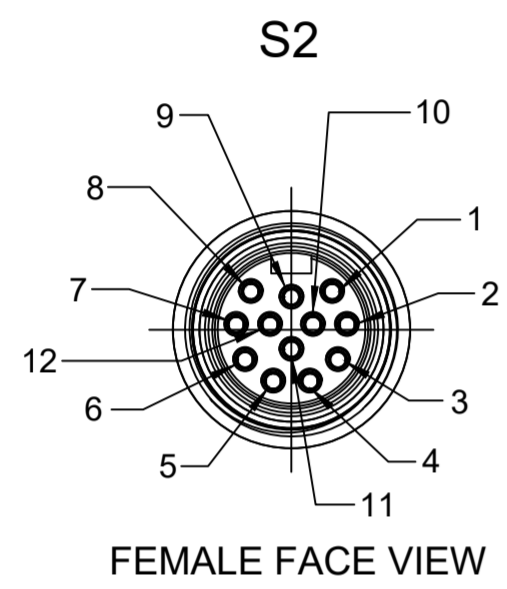
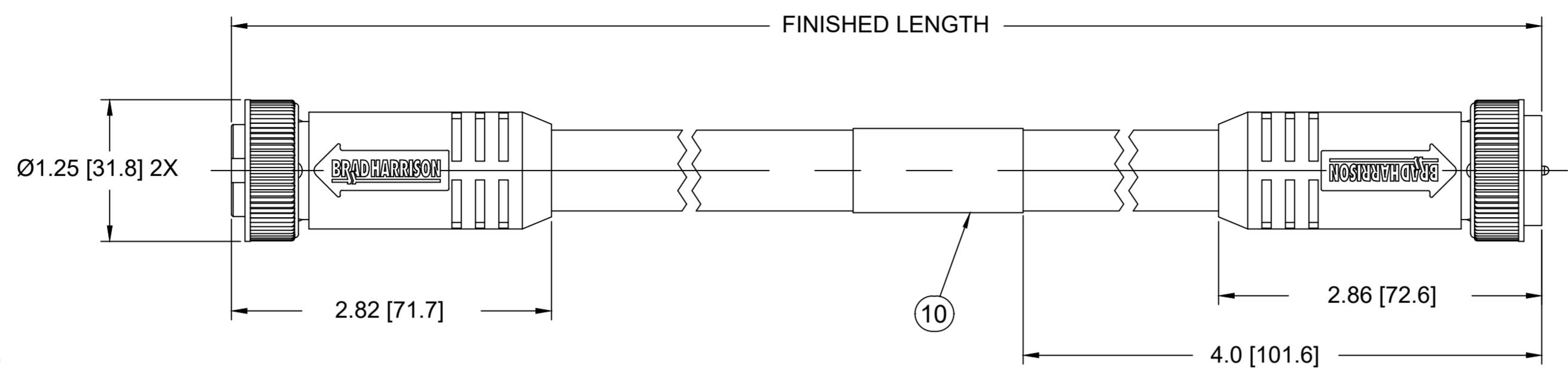
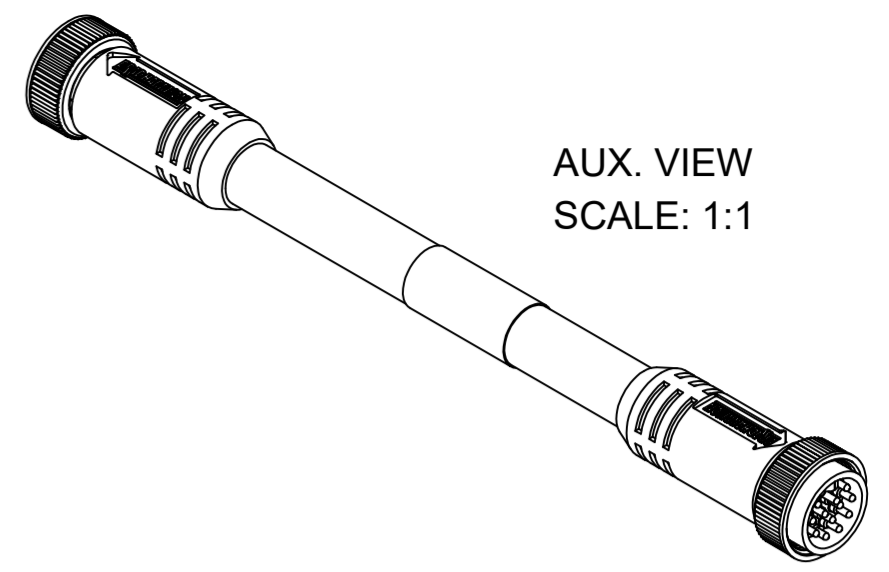


PART NO	ENGINEERING NO.	FINISHED LENGTH
1300120184	332020K04F120	12 FT [3.7M]
1300120211	332020K04M400	40M [131FT 2.8 IN]
1300120758	332020K04M800	80M [262FT 5.6 IN]



- NOTES:
- MATERIAL: AS NOTED
  - FINISH: AS NOTED
  - ELECTRICAL:  
VOLTAGE: 320V PER IEC60664  
600V PER UL2238  
CURRENT: 5A
  - TEMP RATING: -20°TO +90°C
  - PROTECTION: IP67 (WHEN MATED)
  - UL LISTED, FILE: E152210 (B2)
  - ALL DIMS ARE FOR REFERENCE UNLESS NOTED OTHERWISE

## PART NO. MATRIX 332020K04M010

LENGTH  
M010 - 1 METER  
M100 - 10 METER  
F050 - 5 FEET  
F500 - 50 FEET

S2		P1	
1	WHITE	1	
2	GREEN	2	
3	YELLOW	3	
4	GRAY	4	
5	PINK	5	
6	RED	6	
7	BLACK	7	
8	VIOLET	8	
9	GREEN/YELLOW	9	
10	BROWN	10	
11	BLUE	11	
12	GRAY/PINK	12	

WIRING DIAGRAM

CABLE LENGTH TOLERANCES

>.3M [1FT]:	+19mm-0 [+ .75in-0]
.3 - .9M [1 - 3FT]:	+44.5mm-0 [+1.75in-0]
.9 - 1.8M [3 - 6FT]:	+55.6mm-0 [+2.19in-0]
1.8 - 3.7M [6 - 12FT]:	+88.9mm-0 [+3.50in-0]
3.7 - 7.3M [12 - 24FT]:	+165.1mm-0 [+6.50in-0]
7.3-14.6M [24 - 48FT]:	+317.5mm-0 [+12.50in-0]
14.6 - 30.5M [48-100FT]:	+622.3mm-0 [+24.50in-0]
OVER 30M [100FT]	+2% OF FINISHED LENGTH

MECHANICAL CHARACTERISTICS:

TORSIONAL FLEX TEST	20 MILLION CYCLES PER MIL-C-13777G
BEND FLEX TEST	20 MILLION CYCLES PER MIL-C-13777G (B2)
WELD SLAG RESISTANCE	WOODHEAD STANDARD S-300

ITEM	DESCRIPTION	MATERIAL	FINISH
10	LABEL	VINYL	BLACK/YELLOW
9	PIN CONTACT	BRASS	GOLD PLATED
8	INSERT, MALE, 12 POLE	TPE	YELLOW
7	OVERMOLD	TPE	YELLOW
6	COUPLING NUT	ZINC DIE CAST	BLACK
5	FRICTION RING	NYLON	NATURAL
4	SOCKET CONTACT	BRASS	GOLD PLATED
3	SOCKET SLEEVE	STAINLESS STEEL	
2	INSERT, FEMALE, 12 POLE	TPE	YELLOW
1	CABLE, 16-12 HI FLEX	TPEJACKET	YELLOW

FUNCTIONAL SYMBOLS FA=0 FC=0 FP=0	THIS DRAWING CONTAINS INFORMATION THAT IS PROPRIETARY TO MOLEX ELECTRONIC TECHNOLOGIES, LLC AND SHOULD NOT BE USED WITHOUT WRITTEN PERMISSION			
	DIMENSION UNITS	SCALE	CURRENT REV DESC: ADDED MECHANICAL CHARACTERISTICS TABLE, UL IN NOTES AND MODIFIED MATERIAL TABLE.	
	INCH/MM	NTS		
	GENERAL TOLERANCES (UNLESS SPECIFIED)			
DIVISIONAL SYMBOLS		mm	INCH	
	4 PLACES	±----	±----	
	3 PLACES	±----	±----	
	2 PLACES	±----	±----	
1 PLACE	±----	±----		
0 PLACES	±----	±----		
	ANGULAR TOL ± ---- °			
DRAFT WHERE APPLICABLE MUST REMAIN WITHIN DIMENSIONS		THIRD ANGLE PROJECTION	DRAWING	SERIES
			C-SIZE	130012
DOCUMENT STATUS		P1	RELEASE DATE	2020/07/27 17:35:16
DOCUMENT NUMBER		DOC TYPE/DOC PART		REVISION
SD-130012-018		PSD 001		B2
MATERIAL NUMBER		CUSTOMER		SHEET NUMBER
SEE_CHART		GENERAL MARKET		1 OF 1