

### PART No MATRIX

Y	0	X	0	0	1	X	X	X	X	X	X	X	X	X
---	---	---	---	---	---	---	---	---	---	---	---	---	---	---

Y0= ULTRA LOCK 2.0 SINGLE ENDED

POLES:  
3 = 3 POLES  
4 = 4 POLES  
5 = 5 POLES

HEADER:  
001= FEMALE RA

CABLE:  
E03 - 3/4/5x0.34 PVC BLACK  
B30 - 3/4/5x0.34 WSOR BLACK  
H09 - 3/4/5x0.34 PUR-LS0H BLACK

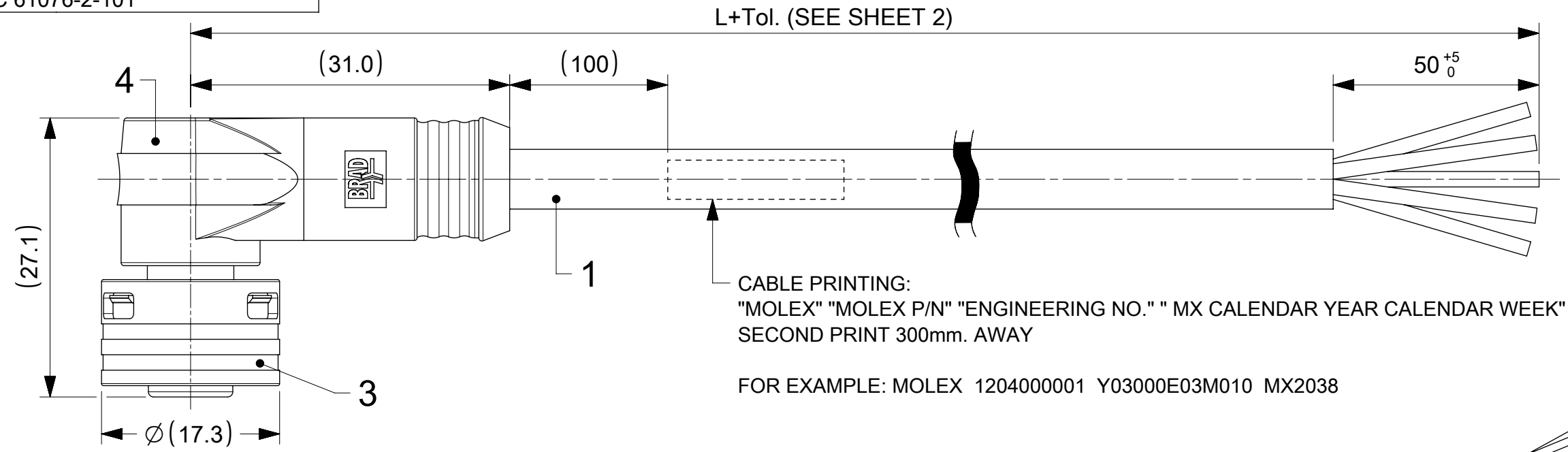
UNIT:  
M = METER  
F = FEET  
C = CENTIMETER  
T = 10M

LENGTH:  
EXAMPLE:  
010 = 1 m  
050 = 5 m  
100 = 10 m

OPTIONS  
X X

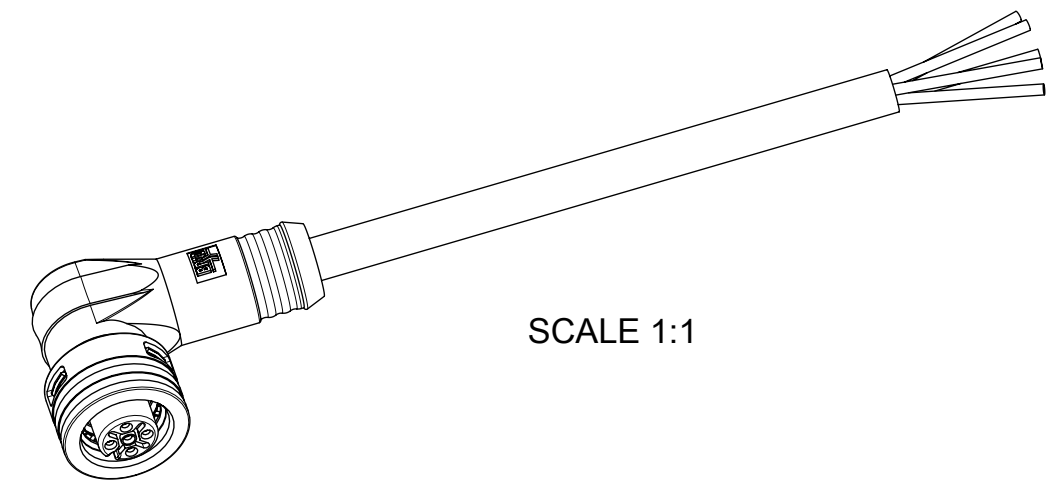
OVERMOLD:  
BLANK = STANDARD BRAD:  
-YELLOW IN THE USA  
-BLACK IN EUROPE  
A = GREY  
E = RED  
G = BLACK  
Y = YELLOW  
H = STD. COLOUR WITH TWO ID-TAG CARRIERS

CODING ACCORDING TO IEC 61076-2-101



NOTES:

- PARTS ACC. TO PRODUCT SPECIFICATION 1204000001 PS P10 AND IN STYLE OF IEC-61076-2-010
- BOM & PART LIST - SEE SHEET 2
- RATED VOLTAGE :  
3, 4 CONTACTS: 250V AC OR DC  
5 CONTACTS: 60V AC OR DC  
RATED CURRENT:  
3, 4, 5 CONTACTS: 4A, DERATING HAS TO BE CONSIDERED  
OVERVOLTAGE CATEGORY: 3  
POLLUTION DEGREE: 3, ONLY IN MATED AND LOCKED CONDITION
- PROTECTION CLASS: IP 67, ONLY IN MATED AND LOCKED CONDITION
- TEMPERATURE RANGE:  
TEMPERATURE PLUG/SOCKET: -40 °C TO +85 °C  
TEMPERATURE CABLE: SEE CABLE LIST
- MECHANICAL OPERATIONS: 100 CYCLES
- MATES WITH ULTRA-LOCK M12 MALE RECEPTACLES
- PACKAGING: THE CORDSETS ARE SINGLE PACKED IN PLASTIC BAGS AND DELIVERED IN CARTON BOXES
- UL CSA FILE REGISTRATION PENDING



FUNCTIONAL SYMBOLS	THIS DRAWING CONTAINS INFORMATION THAT IS PROPRIETARY TO MOLEX ELECTRONIC TECHNOLOGIES, LLC AND SHOULD NOT BE USED WITHOUT WRITTEN PERMISSION	SCALE 2:1		CURRENT REV DESC: NOTES AND CABLE LIST UPDATED		<b>molex</b>		
	mm	GENERAL TOLERANCES (UNLESS SPECIFIED)		EC NO: 736602				
DIVISIONAL SYMBOLS	∇A = 0	4 PLACES	±	DRWN: RSCHIEBER	2023/01/23	PRODUCT CUSTOMER DRAWING		
	∇E = 0	3 PLACES	±	CHK'D: RSILLER	2023/01/31	DOCUMENT NUMBER		
	∇F = 0	2 PLACES	± 0.05	APPR: RSILLER	2023/01/31	1204000224		
		1 PLACE	± 0.3	INITIAL REVISION:		DOC TYPE DOC PART REVISION		
		0 PLACES	± 0.5	DRWN: RSCHIEBER	2020/09/16	PSD 000 A3		
				APPR: RSILLER	2020/09/29	SHEET NUMBER		
	DRAFT WHERE APPLICABLE MUST REMAIN WITHIN DIMENSIONS	THIRD ANGLE PROJECTION	DRAWING	SERIES	MATERIAL NUMBER	CUSTOMER	SHEET NUMBER	
			A3-SIZE	120400	SEE SHEET 2	GENERAL MARKET	1 OF 2	

F	MOLEX NO.	ENGINEERING NO.	LENGHT (MM)
	1204000200	Y03001E03M010	1000
	1204000201	Y03001E03M020	2000
	1204000202	Y03001E03M050	5000
	1204000203	Y03001E03M100	10000
	1204000204	Y03001B30M010	1000
	1204000205	Y03001B30M020	2000
	1204000206	Y03001B30M050	5000
	1204000207	Y03001B30M100	10000
E	1204000208	Y03001H09M010	1000
	1204000209	Y03001H09M020	2000
	1204000210	Y03001H09M050	5000
	1204000211	Y03001H09M100	10000
	1204000212	Y04001E03M010	1000
	1204000213	Y04001E03M020	2000
	1204000214	Y04001E03M050	5000
D	1204000215	Y04001E03M100	10000
	1204000216	Y04001B30M010	1000
	1204000217	Y04001B30M020	2000
	1204000218	Y04001B30M050	5000
	1204000219	Y04001B30M100	10000
	1204000220	Y04001H09M010	1000
	1204000221	Y04001H09M020	2000
	1204000222	Y04001H09M050	5000

MOLEX NO.	ENGINEERING NO.	LENGHT (MM)
1204000223	Y04001H09M100	10000
1204000224	Y05001E03M010	1000
1204000225	Y05001E03M020	2000
1204000226	Y05001E03M050	5000
1204000227	Y05001E03M100	10000
1204000228	Y05001B30M010	1000
1204000229	Y05001B30M020	2000
1204000230	Y05001B30M050	5000
1204000231	Y05001B30M100	10000
1204000232	Y05001H09M010	1000
1204000233	Y05001H09M020	2000
1204000234	Y05001H09M050	5000
1204000235	Y05001H09M100	10000

MOLEX NO.	ENGINEERING NO.	LENGHT (MM)

CABLE LIST												
3P	4P	5P	CABLE TYPE	DESCRIPTION	MATERIAL	FINISH/COLOR	FIXED INSTALLATION *		FLEXIBLE INSTALLATION **		DRAG CHAIN	
							MIN.	MAX.	MIN.	MAX.	MIN.	MAX.
X			E03	CABLE PVC, BLK 3X0.34MM D4.9	PVC	BLACK	-30°C	+80°C	-10°C	+80°C	NOT SUITABLE	
	X		CABLE PVC, BLK 4X0.34MM D5.4									
		X	CABLE PVC, BLK 5X0.34MM(UL/CSA) D5.8									
X			B30	CABLE 3X0.34 TPU BK D4.80 TPE UNSH DCS	PUR WSOR	BLACK	-40°C	+90°C	-25°C	+80°C	-5°C	+60°C
	X		CABLE 4X0.34 TPU BK D5.10 TPE UNSH DCS									
		X	CABLE 5X0.34 TPU BK D5.50 TPE UNSH DCS									
X			H09	CABLE PUR;BLK 3X0.34MM-LSOH;UL D4.4	PUR-LS0H	BLACK	-40°C	+80°C	-25°C	+80°C	+5°C	+60°C
	X		CABLE PUR;BLK 4X0.34MM-LSOH;UL D4.7									
		X	CABLE PUR BLK 5X0.34MM LSZH UL D5.0									

CABLE LENGTH TOLERANCES	
LENGTH	TOLERANCE
0m-1m	+40 mm
>1m-5m	+60 mm
>5m-10m	+80 mm
>10m-20m	+140 mm
>20m-30m	+160 mm
>30m	+1% length

\* FIXED POSITION WITHOUT ACCIDENTAL CRUSHING OF VIBRATION.  
\*\* FREE MOTION WITHOUT PERIODIC RECURRENCE OR FORCED GUIDANCE.

BILL OF MATERIAL							
3P	4P	5P	ITEM	QTY	DESCRIPTION	MATERIAL	FINISH/COLOR
X	X	X	1	-	CABLE	SEE CABLE LIST	SEE CABLE LIST
X	X	X	2	3/4/5	CONTACT 10 FE STA AU CR WRA 0.14-0.50	BRASS	GOLD OVER NICKEL PLATED
X			3	1	PLG U12 3P AC FE PA UNSH	-	-
	X				PLG U12 4P AC FE PA UNSH		
		X			PLG U12 5P AC FE PA UNSH		
X	X	X	4	1	OVERMOLD	TPC	SEE MATRIX
				2	I/D CARRIER DIA 4-7MMX30MM	PVC	TRANSPARENT

FUNCTIONAL SYMBOLS	THIS DRAWING CONTAINS INFORMATION THAT IS PROPRIETARY TO MOLEX ELECTRONIC TECHNOLOGIES, LLC AND SHOULD NOT BE USED WITHOUT WRITTEN PERMISSION		<b>molex</b>			
$\nabla_A = 0$	DIMENSION UNITS: <b>mm</b>	SCALE: <b>1:1</b>				
$\nabla_E = 0$	GENERAL TOLERANCES (UNLESS SPECIFIED)		EC NO: 736602		2023/01/23	
$\nabla_{E'} = 0$	ANGULAR TOL $\pm 1.0^\circ$		DRWN: RSCHIEBER	2023/01/31		
DIVISIONAL SYMBOLS	4 PLACES $\pm$		CHK'D: RSILLER	2023/01/31		
	3 PLACES $\pm$		APPR: RSILLER	2023/01/31		
	2 PLACES $\pm 0.05$		INITIAL REVISION:	DOCUMENT NUMBER		
	1 PLACE $\pm 0.3$		DRWN: RSCHIEBER	2020/09/16	1204000224	
	0 PLACES $\pm 0.5$		APPR: RSILLER	2020/09/29	PSD 000 A3	
	DRAFT WHERE APPLICABLE MUST REMAIN WITHIN DIMENSIONS	THIRD ANGLE PROJECTION	DRAWING	SERIES	MATERIAL NUMBER	
			A3-SIZE	120400	SEE PART LIST	
				CUSTOMER	GENERAL MARKET	
				SHEET NUMBER	2 OF 2	