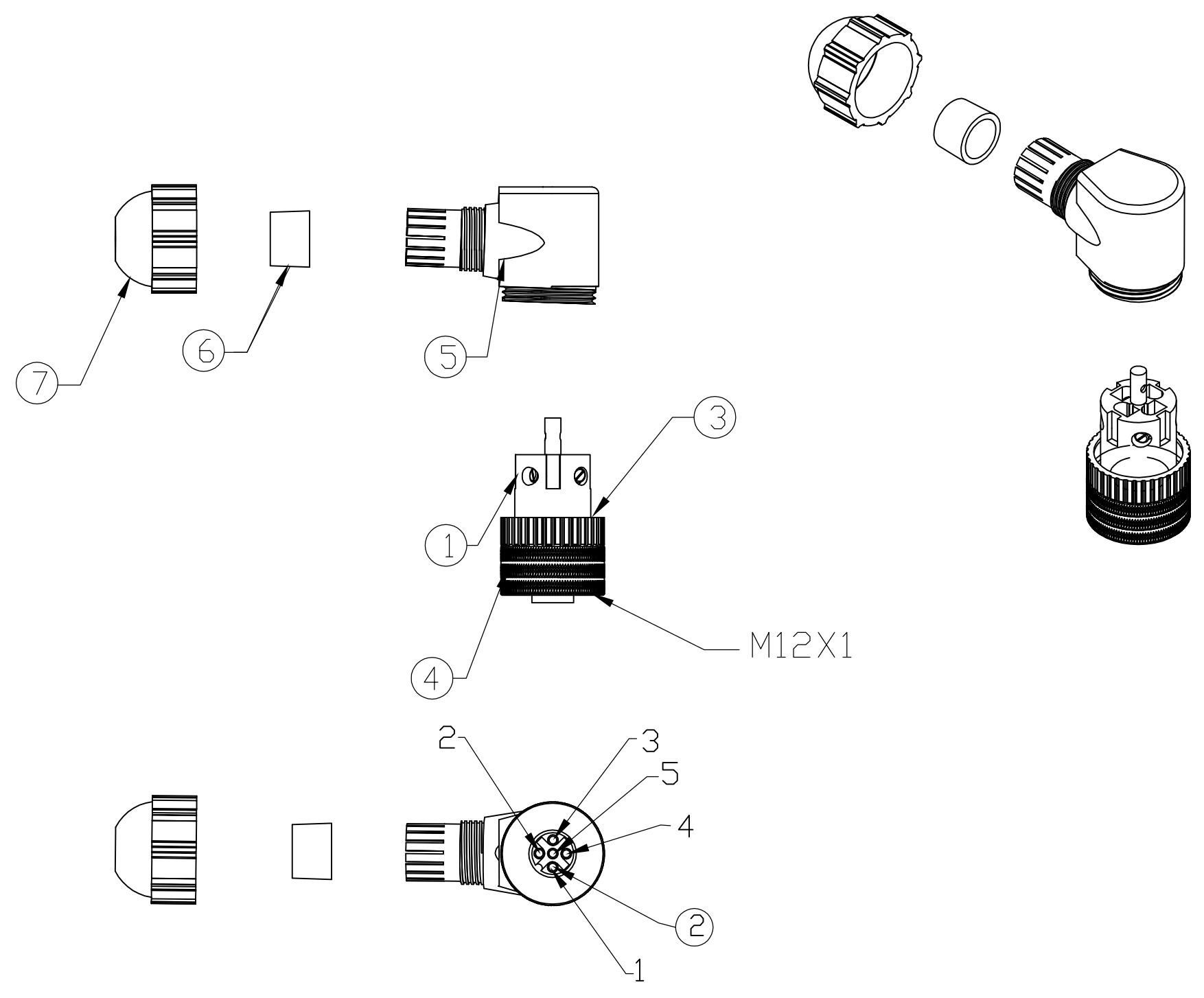
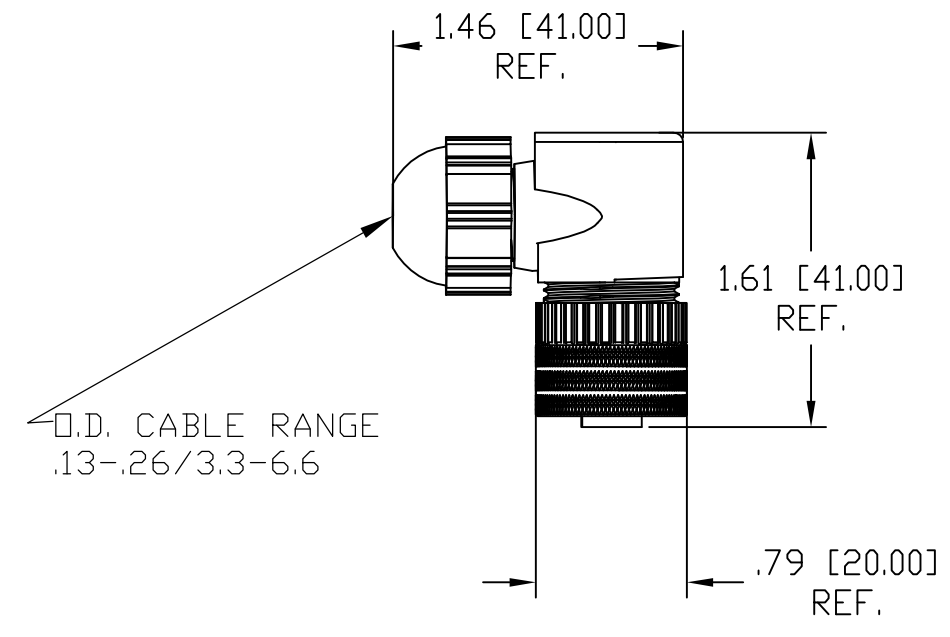
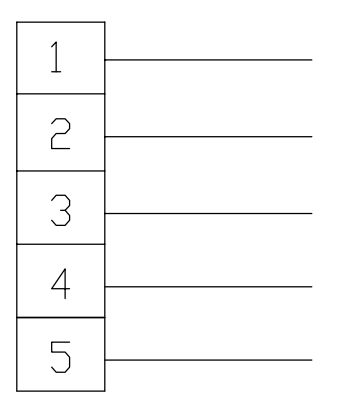


MATERIAL NUMBER	ENGINEERING NUMBER
1200710044	8A5001-31



FEMALE FACE VIEW



WIRING CHART

VOLTAGE RATING	30VAC/36VDC
AMPERAGE RATING	4 AMPS
PROTECTION	IP67
OPERATING TEMPERATURE	-25°C TO 90°C
CSA CERTIFICATIONS	CSA CERTIFIED, FILE NO. LR6837

ITEM		COMPONENT	MATERIAL	FINISH
1	1	INSERT	POLYAMIDE	BLACK
2	5	CONTACTS	COPPER ALLOY	SILVER PLATED
3	1	O-RING	NITRILE	BLACK
4	1	COUPLING NUT	BRASS	NICKEL PLATED
5	1	MOLDED BODY	POLYAMIDE	BLACK
6	1	GROMMET	NITRILE	BLACK
7	1	CORD GRIP BODY	POLYAMIDE	BLACK

RELEASE EC NO: WEU2010-0045 DRWN: TWOLDEGE 8/18/09 CH'KD: BWOODMAN APPR: JFMURPHY 2009/08/21	DESCRIPTION REV	QUALITY SYMBOL	GENERAL TOLERANCES (UNLESS SPECIFIED)	DIMENSION STYLE	SCALE	DESIGN UNITS	THIRD ANGLE PROJECTION	
		$\nabla=0$ $\sphericalangle=0$	4 PLACES ±--- 3 PLACES ±--- 2 PLACES ±--- 1 PLACE ±0.3	mm INCH ±--- ±--- ±--- ±--- ±--- ±.01 ±--- ±---	DRAWN BY DATE TWOLDEGE 2009/08/18 CHECKED BY DATE BWOODMAN 2009/08/18 APPROVED BY DATE	TITLE MIC 5P FEMALE ATTACH 90D .13-.26 O.D. CABLE RANGE PG7 CABLE FITTING	INCH	MOLEX INCORPORATED
		DRAFT WHERE APPLICABLE MUST REMAIN WITHIN DIMENSIONS	ANGULAR ±---°	MATERIAL NO. 1200710044	DOCUMENT NO. SD-120071-010	SHEET NO. 1 OF 1		
		SIZE C	THIS DRAWING CONTAINS INFORMATION THAT IS PROPRIETARY TO MOLEX INCORPORATED AND SHOULD NOT BE USED WITHOUT WRITTEN PERMISSION					