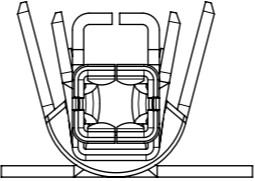
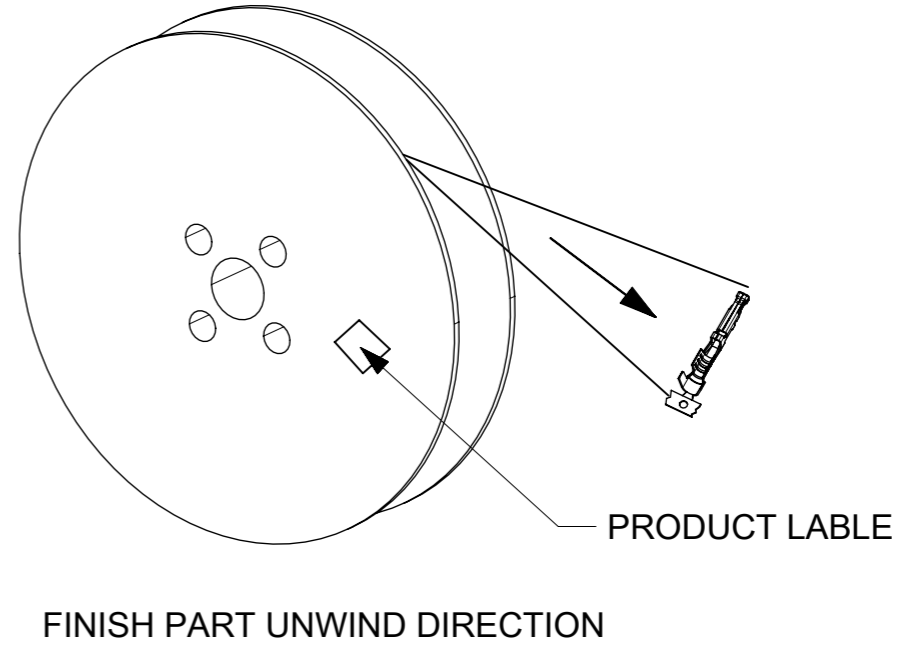
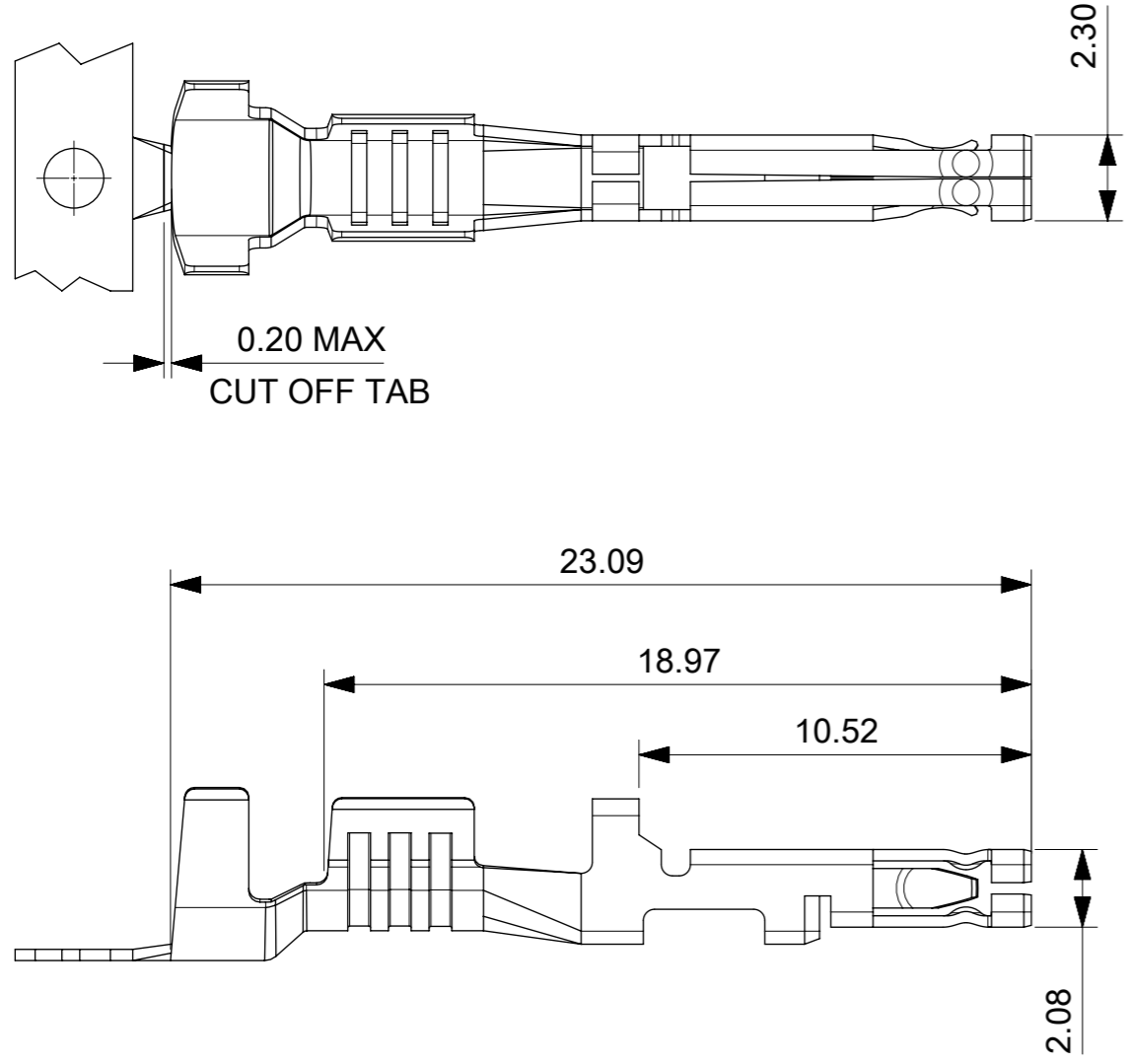
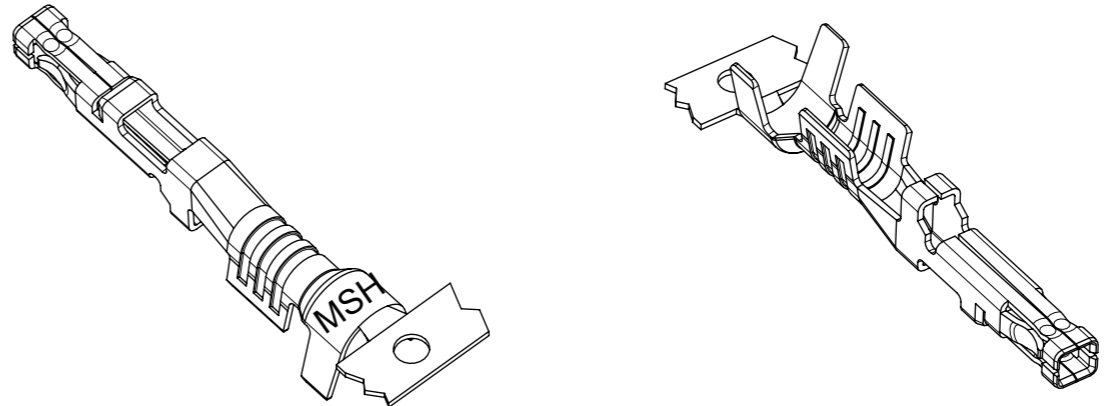
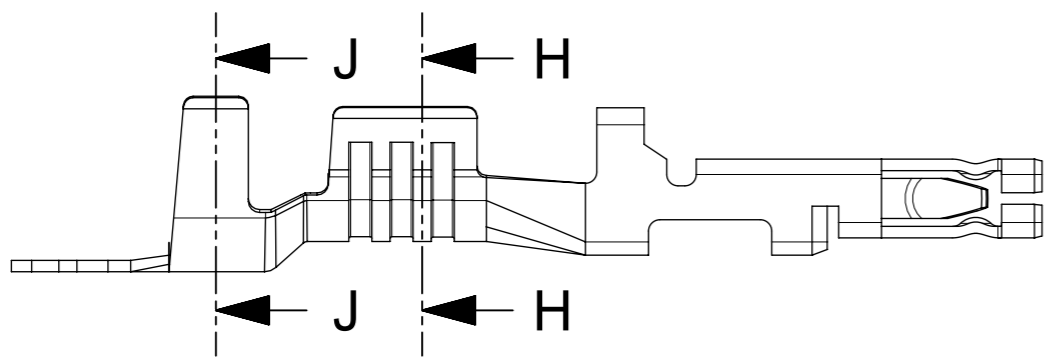


WIRE GAUGE		PART NUMBER	PLATING OPTION	LUBED	DIM "A"
NORMAL CRIMP	DOUBLE CRIMP				
10AWG	N/A	76823-0345	HOT DIP TIN PREPLATE-OVERALL 1.0µm(40µ") MIN	YES	14.00
12AWG	2x16AWG	76823-0343			13.00
14/16AWG	2x18AWG OR 2x20AWG	76823-0344			
10AWG	N/A	172063-0335	15µ" GOLD 0.38µm(15µ") GOLD CONTACT AREA,1.5µm(60µ")-2.5µm(100µ") MATTE TIN, OVER 1.25µm(50µ")-2.5µm(100µ") NICKEL OVERALL	YES	14.00
12AWG	2x16AWG	172063-0333			13.00
14/16AWG	2x18AWG OR 2x20AWG	172063-0334			
10AWG	N/A	172063-1335	30µ" GOLD 0.76µm(30µ") GOLD CONTACT AREA,1.5µm(60µ")-2.5µm(100µ") MATTE TIN, OVER 1.25µm(50µ")-2.5µm(100µ") NICKEL OVERALL	YES	14.00
12AWG	2x16AWG	172063-1333			13.00
14/16AWG	2x18AWG OR 2x20AWG	172063-1334			

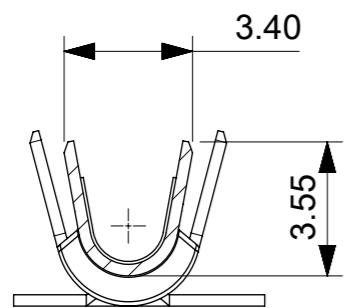


- NOTES:
1. MATERIAL: HIGH CONDUCTIVITY COPPER ALLOY.
  2. FINISH: SEE CHART.
  3. PRODUCT SPECIFICATION: 1720631000-PS/1054171000-PS.
  4. PACKAGING SPECIFICATION: REEL PER 768230200
  5. TERMINAL USED WITH MOLEX SERIES RECEPTACLE:17169202XX/200456
  6. APPLICATION SPECIFICATION: 768232000-AS

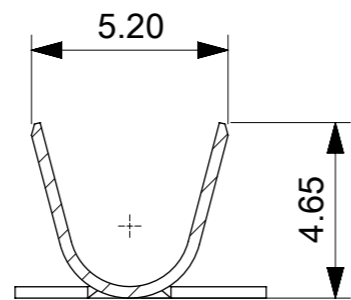
THIS DRAWING CONTAINS INFORMATION THAT IS PROPRIETARY TO MOLEX ELECTRONIC TECHNOLOGIES, LLC AND SHOULD NOT BE USED WITHOUT WRITTEN PERMISSION									
DIMENSION UNITS		SCALE		CURRENT REV DESC:					
mm		NTS							
GENERAL TOLERANCES (UNLESS SPECIFIED)				EC NO: 722781				MEGA-FIT FEMALE TERMINAL FOR 14/16, 12AWG, AND 10AWG WIRE	
ANGULAR TOL ± 3.0 °				DRWN: WYATTH5 2022/10/20					
4 PLACES ±				CHK'D: XQZHANG 2022/10/27				PRODUCT CUSTOMER DRAWING	
3 PLACES ±				APPR: XQZHANG 2022/10/27					
2 PLACES ± 0.25				INITIAL REVISION:				DOCUMENT NUMBER	
1 PLACE ± 0.35				DRWN: YXZHENG 2016/12/15				768230200	
0 PLACES ±				APPR: YXZHENG 2018/08/06				PSD 000 C3	
DRAFT WHERE APPLICABLE MUST REMAIN WITHIN DIMENSIONS		THIRD ANGLE PROJECTION		DRAWING		SERIES		SHEET NUMBER	
				A3-SIZE		76823		1 OF 3	



14/16AWG WIRE STYLES

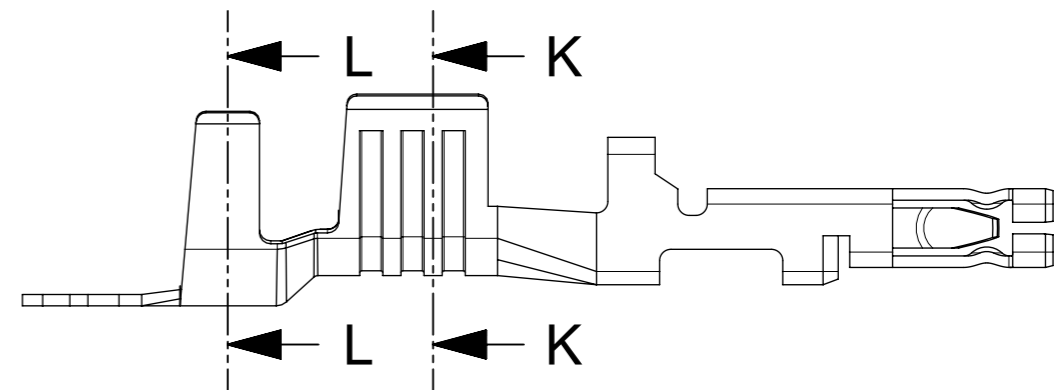


SECTION H-H

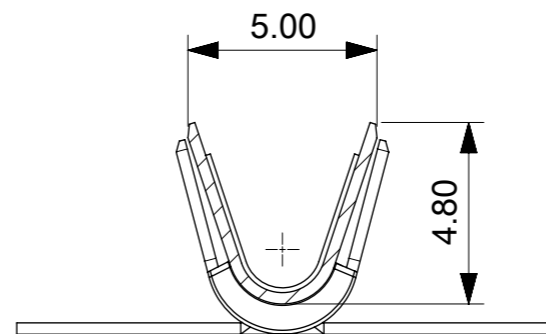


SECTION J-J

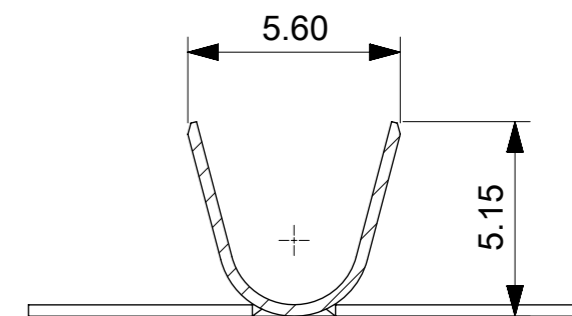
CONDUCTOR AND INSULATION 14/16AWG



12 AWG WIRE STYLES



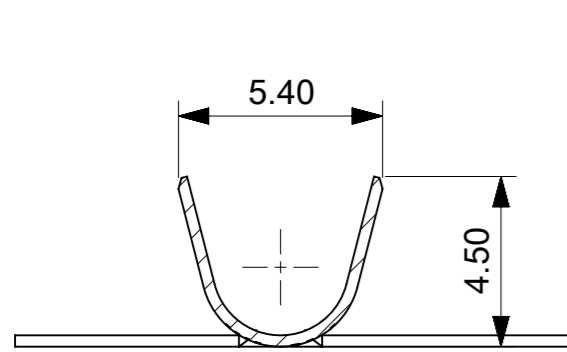
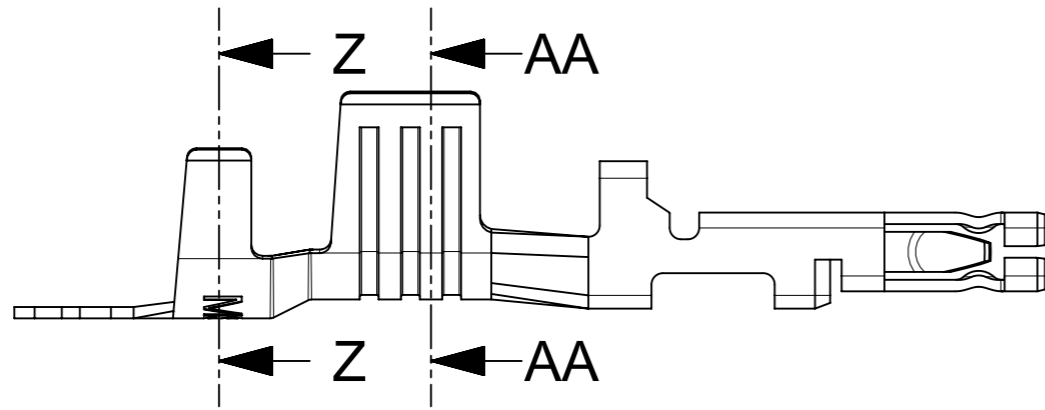
SECTION K-K



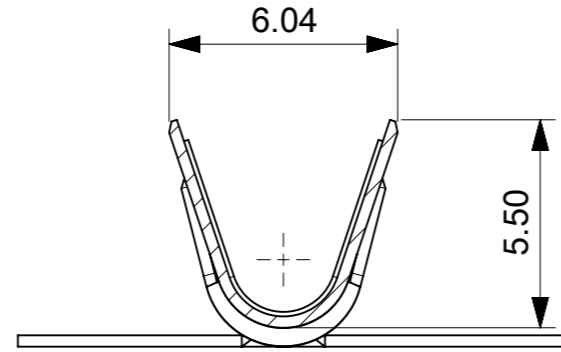
SECTION L-L

CONDUCTOR AND INSULATION 12AWG

THIS DRAWING CONTAINS INFORMATION THAT IS PROPRIETARY TO MOLEX ELECTRONIC TECHNOLOGIES, LLC AND SHOULD NOT BE USED WITHOUT WRITTEN PERMISSION									
DIMENSION UNITS	SCALE	CURRENT REV DESC:							
mm	NTS								
GENERAL TOLERANCES (UNLESS SPECIFIED)		EC NO: 722781			MEGA-FIT FEMALE TERMINAL FOR 14/16, 12AWG, AND 10AWG WIRE				
ANGULAR TOL ± 3.0°		DRWN: WYATTH5 2022/10/20							
4 PLACES ±	CHK'D: XQZHANG 2022/10/27			PRODUCT CUSTOMER DRAWING					
3 PLACES ±	APPR: XQZHANG 2022/10/27								
2 PLACES ± 0.25	INITIAL REVISION:			DOCUMENT NUMBER		DOC TYPE	DOC PART	REVISION	
1 PLACE ± 0.35	DRWN: YXZHENG 2016/12/15			768230200		PSD	000	C3	
0 PLACES ±	APPR: YXZHENG 2018/08/06			MATERIAL NUMBER		CUSTOMER		SHEET NUMBER	
DRAFT WHERE APPLICABLE MUST REMAIN WITHIN DIMENSIONS	THIRD ANGLE PROJECTION	DRAWING	SERIES	SEE TABLE		GENERAL MARKET		2 OF 3	

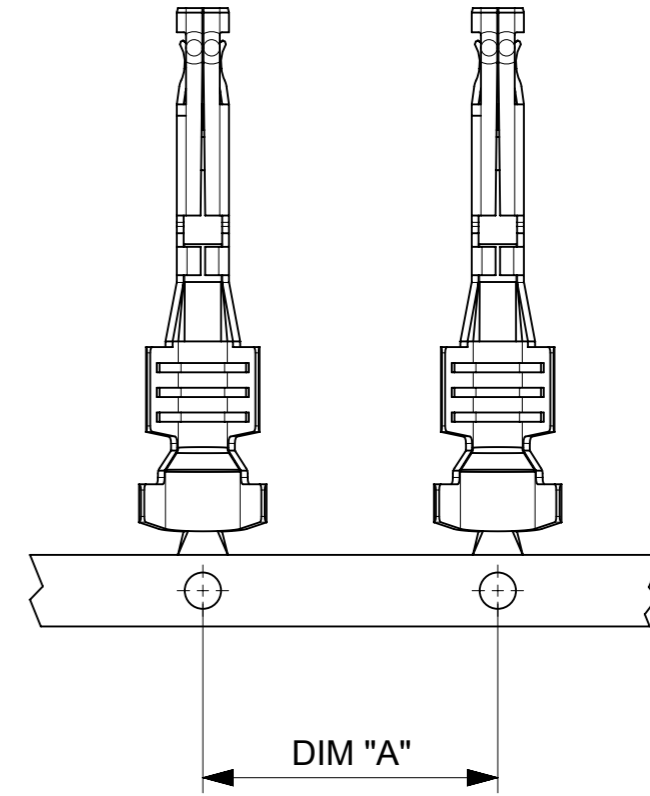


SECTION Z-Z



SECTION AA-AA

CONDUCTOR AND INSULATION 10AWG



THIS DRAWING CONTAINS INFORMATION THAT IS PROPRIETARY TO MOLEX ELECTRONIC TECHNOLOGIES, LLC AND SHOULD NOT BE USED WITHOUT WRITTEN PERMISSION									
DIMENSION UNITS	SCALE	CURRENT REV DESC:							
mm	NTS								
GENERAL TOLERANCES (UNLESS SPECIFIED)		EC NO: 722781			MEGA-FIT FEMALE TERMINAL FOR 14/16, 12AWG, AND 10AWG WIRE				
ANGULAR TOL ± 3.0°		DRWN: WYATTH5 2022/10/20							
4 PLACES ±	CHK'D: XQZHANG 2022/10/27			PRODUCT CUSTOMER DRAWING					
3 PLACES ±	APPR: XQZHANG 2022/10/27								
2 PLACES ± 0.25	INITIAL REVISION:			DOCUMENT NUMBER		DOC TYPE	DOC PART	REVISION	
1 PLACE ± 0.35	DRWN: YXZHENG 2016/12/15			768230200		PSD	000	C3	
0 PLACES ±	APPR: YXZHENG 2018/08/06			MATERIAL NUMBER		CUSTOMER		SHEET NUMBER	
DRAFT WHERE APPLICABLE MUST REMAIN WITHIN DIMENSIONS	THIRD ANGLE PROJECTION	DRAWING	SERIES	SEE TABLE		GENERAL MARKET		3 OF 3	