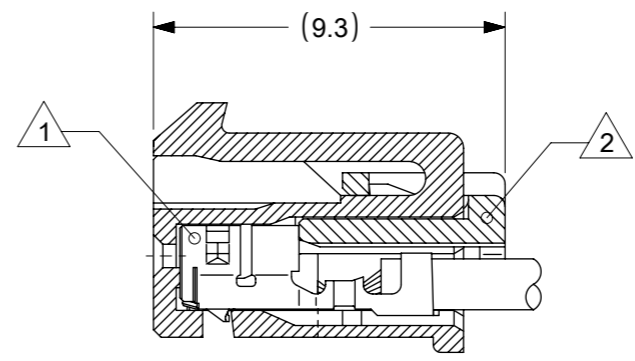
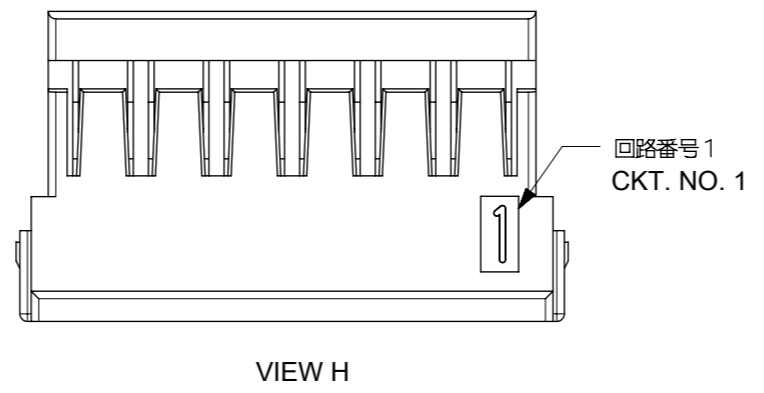
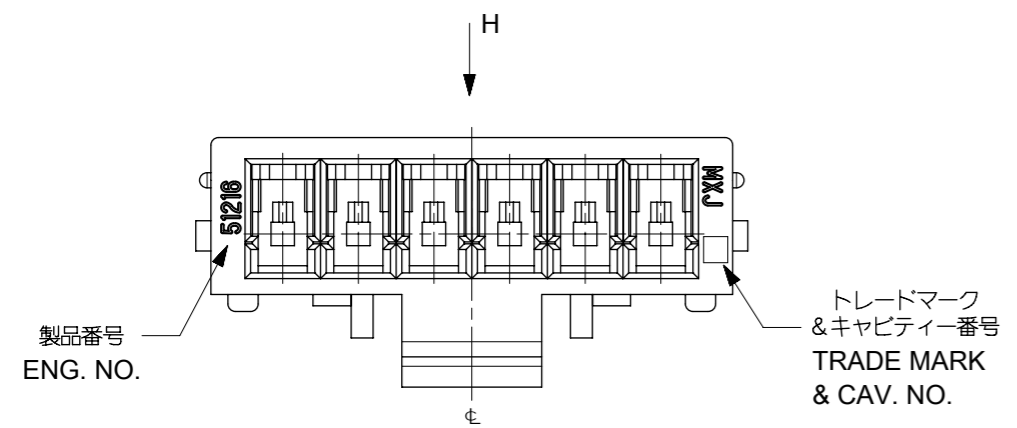
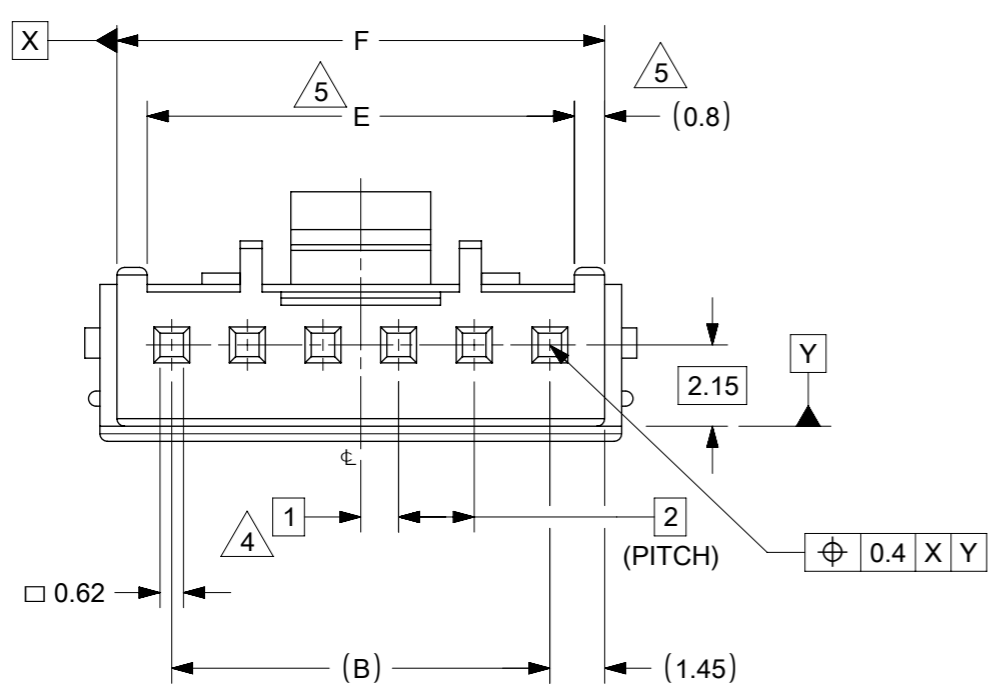
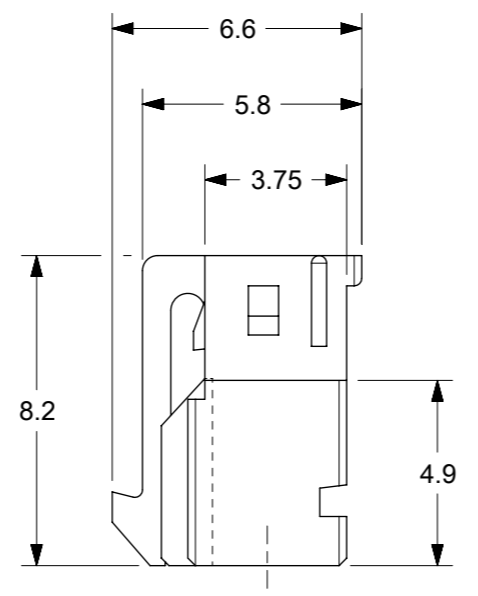
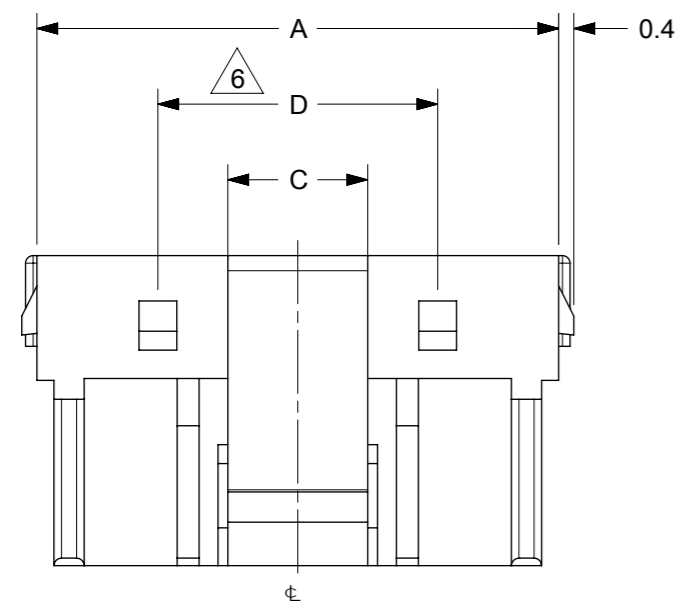


注記
NOTES

- 1 適合ターミナル : 59370 シリーズ
APPLICABLE TERMINAL : 59370 SERIES
- 2 適合リテーナー : 51217 シリーズ
APPLICABLE RETAINER : 51217 SERIES
- 3. 嵌合相手 : 55487、55755シリーズ
MATE WITH : 55487、55755
- 4 偶数極に適用。
APPLY EVEN CIRCUIT PRODUCTS.
- 5 4~15 極に適用。
APPLY 4-15 CIRCUITS.
- 6 5~15 極に適用。
APPLY 5-15 CIRCUITS.
- 7. ELVおよびRoHS適合品
ELV AND RoHS COMPLIANT
- 8.ハウジングの色 (MATERIAL NO. の下1桁に対応) :
HSG COLOR: WHITE : 51216-***0
 BLACK : 51216-***1
 RED : 51216-***2
 YELLOW : 51216-***3
 BLUE : 51216-***4
 GREEN : 51216-***6



ターミナル及びリテーナー装着状態図
TERMINAL & RETAINER ASSEMBLY DRAWING



30.9	29.3	7.4	3.7	28	31.8	51216-150*	15
28.9	27.3	7.4	3.7	26	29.8	51216-140*	14
26.9	25.3	7.4	3.7	24	27.8	51216-130*	13
24.9	23.3	7.4	3.7	22	25.8	51216-120*	12
22.9	21.3	7.4	3.7	20	23.8	51216-110*	11
20.9	19.3	7.4	3.7	18	21.8	51216-100*	10
18.9	17.3	7.4	3.7	16	19.8	51216-090*	9
16.9	15.3	7.4	3.7	14	17.8	51216-080*	8
14.9	13.3	7.4	3.7	12	15.8	51216-070*	7
12.9	11.3	7.4	3.7	10	13.8	51216-060*	6
10.9	9.3	7.4	3.7	8	11.8	51216-050*	5
8.9	7.3	X	3.7	6	9.8	51216-040*	4
6.9	X	X	3.7	4	7.8	51216-030*	3
4.9	X	X	2.2	2	5.8	51216-020*	2
F	E	D	C	B	A	MATERIAL NO.	CKT.

材料 MATERIAL	PBTP, UL94V-0
仕上げ FINISH	— / —
適用電線範囲 WIRE RANGE	— / —
被覆外径 INS. RANGE	— / —

THIS DRAWING CONTAINS INFORMATION THAT IS PROPRIETARY TO MOLEX ELECTRONIC TECHNOLOGIES, LLC AND SHOULD NOT BE USED WITHOUT WRITTEN PERMISSION

DIMENSION UNITS: mm SCALE: NTS

GENERAL TOLERANCES (UNLESS SPECIFIED): ANGULAR TOL ± 3.0°

4 PLACES ±
3 PLACES ±
2 PLACES ± 0.2
1 PLACE ± 0.2
0 PLACES ± 0.2

DRAFT WHERE APPLICABLE MUST REMAIN WITHIN DIMENSIONS

EC NO: 667105
DRWN: SUGEEB
CHK'D: GGA
APPR: GGA

2021/05/26
2021/06/29
2021/06/29

INITIAL REVISION:
DRWN: T.YASUI
APPR: M.FUKUSHIMA

2000/02/22
2000/02/22

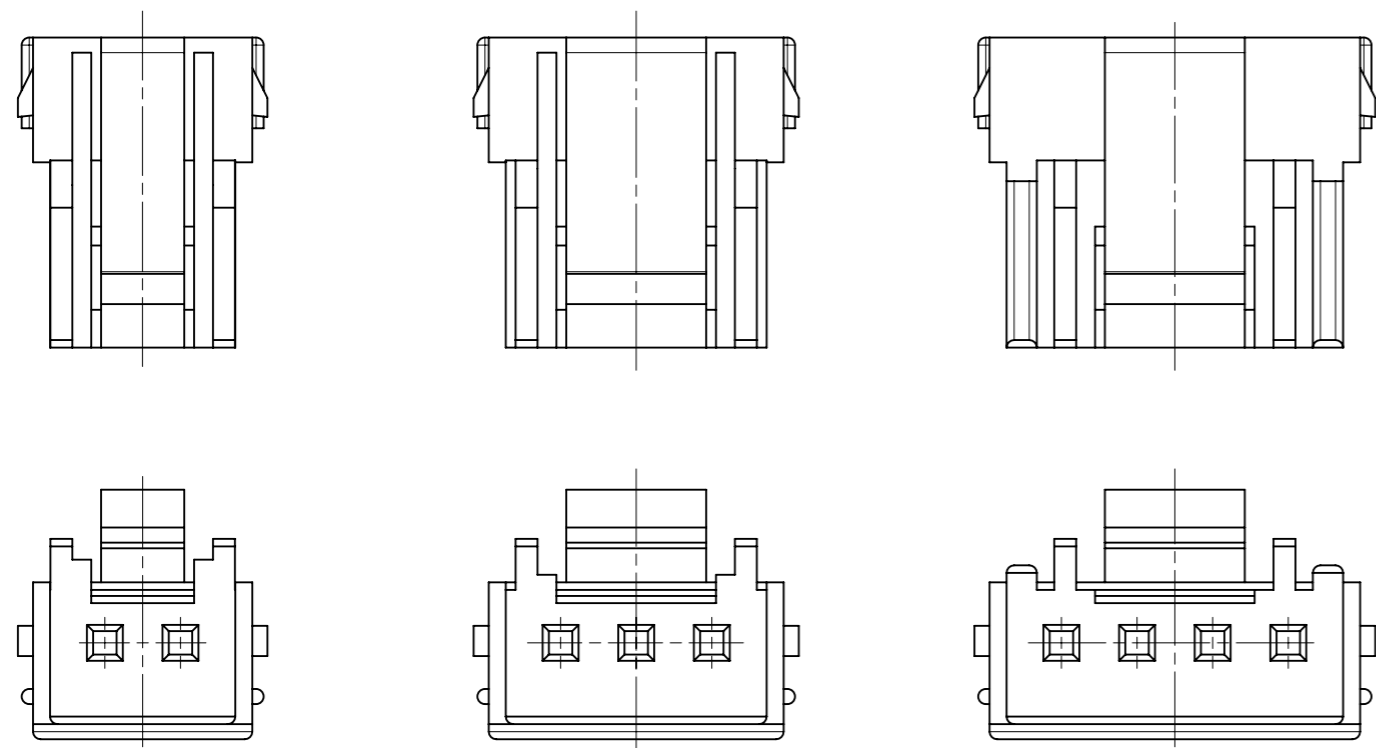
THIRD ANGLE PROJECTION

DRAWING: A3-SIZE SERIES: 51216

MATERIAL NUMBER: SEE TABLE CUSTOMER: GENERAL MARKET

DOCUMENT NUMBER: SD-51216-004 DOC TYPE: PSD DOC PART: 001 REVISION: D2

SHEET NUMBER: 1 OF 2




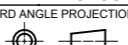
2 CKTS.

3 CKTS.

4 CKTS.

極数レイアウト図
LAYOUT OF EACH CKTS.

白 WHITE	黒 BLACK	赤 RED	黄 YELLOW	青 BLUE	緑 GREEN
512161500	512161501			512161504	
512161400	512161401			512161404	
512161300	512161301			512161304	
512161200	512161201			512161204	
512161100				512161104	
512161000	512161001			512161004	
512160900	512160901			512160904	
512160800	512160801			512160804	
512160700	512160701			512160704	
512160600	512160601			512160604	
512160500	512160501	512160502		512160504	
512160400	512160401		512160403	512160404	
512160300	512160301			512160304	
512160200	512160201		512160203	512160204	512160206
R MATERIAL NO.	R MATERIAL NO.	R MATERIAL NO.	R MATERIAL NO.	R MATERIAL NO.	R MATERIAL NO.

THIS DRAWING CONTAINS INFORMATION THAT IS PROPRIETARY TO MOLEX ELECTRONIC TECHNOLOGIES, LLC AND SHOULD NOT BE USED WITHOUT WRITTEN PERMISSION									
DIMENSION UNITS	SCALE	CURRENT REV DESC: OBSOLETE PART NUMBER AS PER PCN#508517			 2.0MM WIRE TO BOARD RECEPTACLE HOUSING				
mm	NTS								
GENERAL TOLERANCES (UNLESS SPECIFIED)		EC NO: 667105			PRODUCT CUSTOMER DRAWING				
ANGULAR TOL	± 3.0°	DRWN: SUGEEB			DOCUMENT NUMBER				
4 PLACES	±	CHK'D: GGA			SD-51216-004				
3 PLACES	±	APPR: GGA			DOC TYPE				
2 PLACES	± 0.2	INITIAL REVISION:			DOC PART				
1 PLACE	± 0.2	DRWN: T.YASUI			REVISION				
0 PLACES	± 0.2	APPR: M.FUKUSHIMA			D2				
DRAFT WHERE APPLICABLE MUST REMAIN WITHIN DIMENSIONS		THIRD ANGLE PROJECTION	DRAWING	SERIES	MATERIAL NUMBER	CUSTOMER	SHEET NUMBER		
			A3-SIZE	51216	SEE TABLE	GENERAL MARKET	2 OF 2		