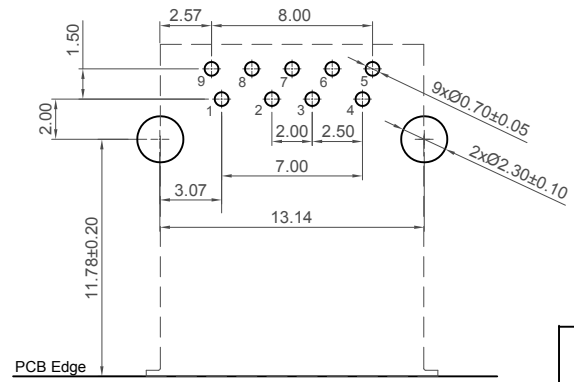
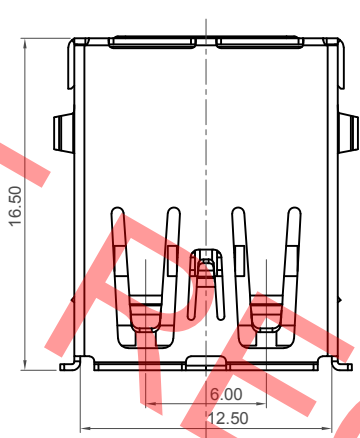
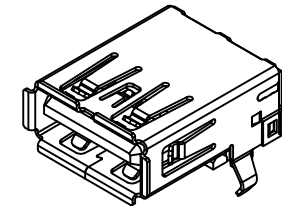


NOT FOR DEMO



Designed to comply with physical, electrical and environmental requirements of full size USB Standard Compliance (USB3.0).



**Recommended P.C.B Layout**  
as viewed from component side  
□ Component Outline

**Specifications**

**Material**

Plastic Housing: PBT, UL94V-0, Blue  
Contact Terminal: Copper Alloy  
Metallic Shell: Copper Alloy

**Plating**

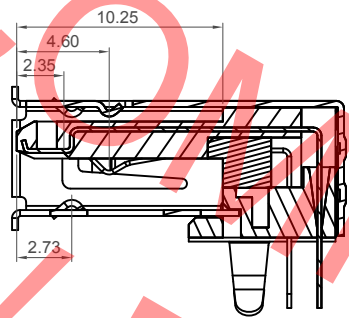
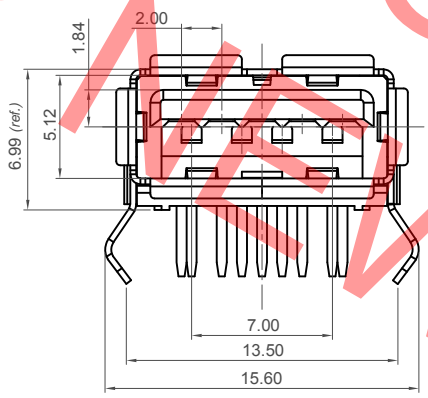
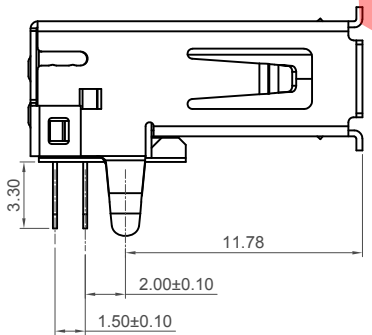
Underplating: Nickel  
Contact Area: 30µ" Gold  
Solder Tails: 100µ" min. Tin  
Metallic Shell: Nickel

**Electrical**

Voltage Rating: 100V  
Current Rating:  
0.25 A (Signal Pins 2,3,5,6,7,8,9)  
1.8 A (Power Pins 1,4)  
Operating Temperature: -55°C to +85°C  
Contact Resistance: 30 mΩ max.  
Insulating Resistance: 1000 MΩ min.  
Dielectric Withstand Voltage: 100V AC

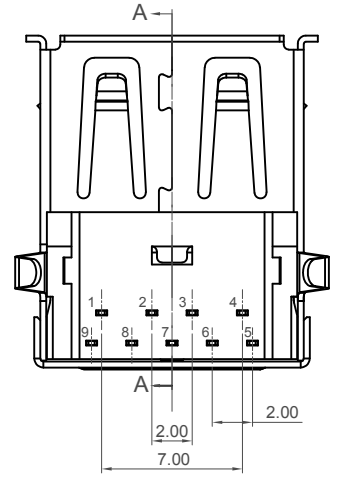
**Mechanical & Environmental**

Mating Force: 35N max.  
Unmating Force: 10N initial, 8N min. after test  
Durability: 5,000 Cycles

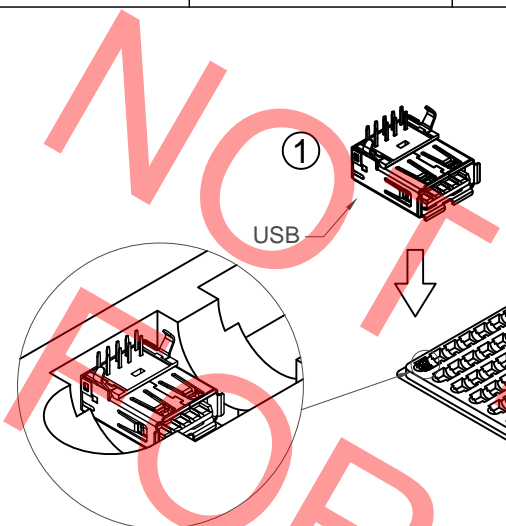


Section A-A

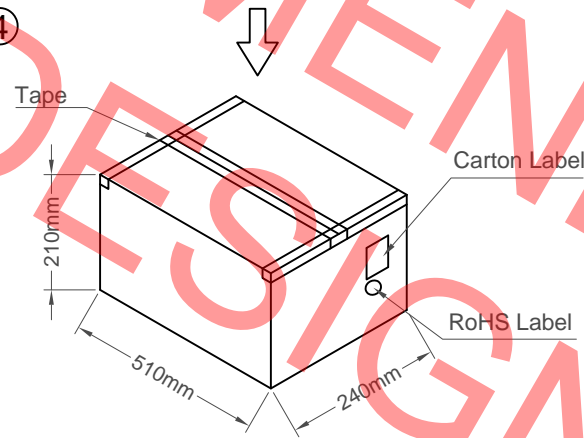
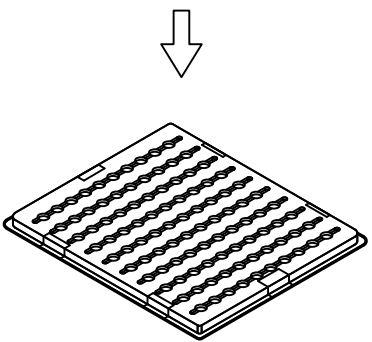
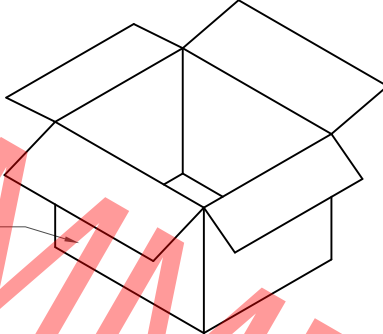
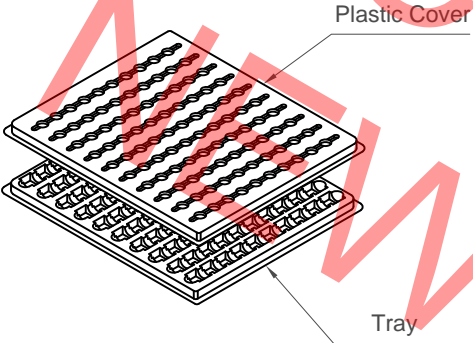
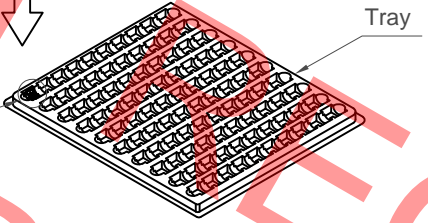
Ordering Grid  
**USB1075-30-P-B**  
Request Samples and Quotation  
Contact Plating: 30 = 30µ" Gold  
Insulator Material: P = PBT  
Packing Options: B = Tray (100 per tray)



|                               |                  |  |   |   |   |  |
|-------------------------------|------------------|--|---|---|---|--|
| Part Number<br>USB1075        |                  | Product Description<br>USB 3.0 Receptacle, Type A, Through Hole,<br>Horizontal, 9 Pin, Top Mount, with Kinked Shell Stakes |   |   |   |  |
| Drawing Date<br>16th May 2011 |                  |  |   |   |   |  |
| By                            | CC               | Tolerances (Except as Noted)   | Units:  | This drawing is confidential and copyright of Global Connector Technology, Ltd (GCT).<br>This drawing must not be copied or disclosed without written consent. E & OE | Not to Scale<br>Drawn By<br>AJO<br>Sheet No.<br>1/2 |  |
| Detail                        | USB1075<br>E PCN | Length<br>X.X ± 0.40<br>X.XX ± 0.25<br>X.XXX ± 0.05  | Angle<br>X.X° ± 2°<br>X.XX° ± 1°<br>X.XXX° ± 0.5° |   |   |  |
| Revision                      | E2               |  |   |   |   |  |
| Date                          | 28/04/21         |  |   |   |   |  |



| Products P/N | PCS/Tray | Trays/Carton | PCS/Carton |
|--------------|----------|--------------|------------|
| USB1075      | 100      | 30           | 3000       |



|              |                  |  |                      |
|--------------|------------------|--|----------------------|
| Part Number  |                  | Product Description  |                      |
| USB1075      |                  | USB 3.0 Receptacle, Type A, Through Hole, Horizontal, 9 Pin, Top Mount, with Kinked Shell Stakes |                      |
| Drawing Date |                  | 16th May 2011  |                      |
| By           | CC               | Tolerances (Except as Noted)   | Units:               |
| Detail       | USB1075<br>E PCN | Length<br>X.X ± 0.40<br>X.XX ± 0.25<br>X.XXX ± 0.05  | Metric (mm)          |
| Revision     | E2               | Angle<br>X.X° ± 2°<br>X.XX° ± 1°<br>X.XXX° ± 0.5°  | 3rd Angle Projection |
| Date         | 28/04/21         |  |                      |



© This drawing is confidential and copyright of Global Connector Technology, Ltd (GCT). This drawing must not be copied or disclosed without written consent. E & OE



|              |              |               |
|--------------|--------------|---------------|
| Not to Scale | Drawn By AJO | Sheet No. 2/2 |
|--------------|--------------|---------------|