

1

2

3

4

A

A

B

B

C

C

D

D

U_J1
J1.SchDoc

U_J2
J2.SchDoc

U_J3
J3.SchDoc

U_J4
J4.SchDoc

U_DDR4-TERM
DDR4-TERM.SchDoc

U_B64
B64.SchDoc

U_B65
B65.SchDoc

U_B66
B66.SchDoc

U_B_GT
B_GT.SchDoc

U_B_GT_2
B_GT_2.SchDoc

U_B_PS_GT
B_PS_GT.SchDoc

U_PS_DDR
PS_DDR.SchDoc

U_B_MIO
B_MIO.SchDoc

U_B_HD
B_HD.SchDoc

U_Clock
Clock.SchDoc

U_CONFIG
CONFIG.SchDoc

U_DDR4-RAM
DDR4-RAM.SchDoc

U_DDR4-RAM_2
DDR4-RAM_2.SchDoc

U_DDR4-RAM_3
DDR4-RAM_3.SchDoc

U_DDR4-RAM_4
DDR4-RAM_4.SchDoc

U_DDR4-TERM
DDR4-TERM.SchDoc

U_ZU_POWER
ZU_POWER.SchDoc

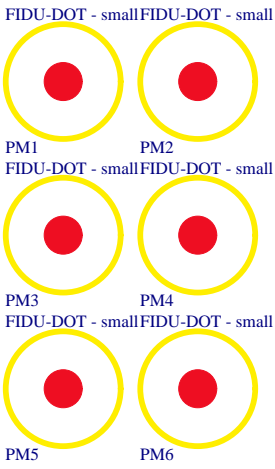
U_ZU_PS_POWER
ZU_PS_POWER.SchDoc

U_POWER
POWER.SchDoc

U_POWER_2
POWER_2.SchDoc

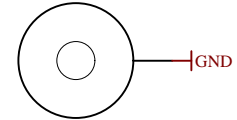
U_POWER_3
POWER_3.SchDoc

U_POWER_4
POWER_4.SchDoc

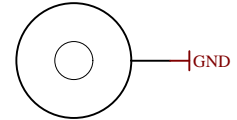


LOGO1
TE Logo PRINT Layer
LOGO PRINT

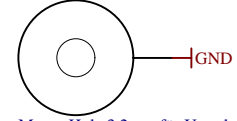
Serial
Serialnumber 6,3 x 6.3mm



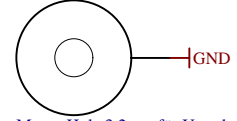
Mount.Hole 3.2mm für Unterlegscheibe



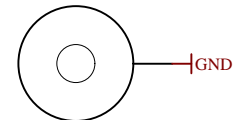
Mount.Hole 3.2mm für Unterlegscheibe



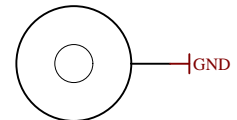
Mount.Hole 3.2mm für Unterlegscheibe



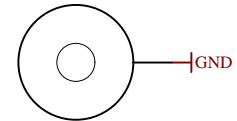
Mount.Hole 3.2mm für Unterlegscheibe



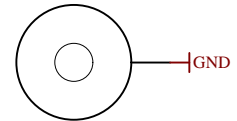
Mount.Hole 3.2mm für Unterlegscheibe



Mount.Hole 3.2mm für Unterlegscheibe



Mount.Hole 3.2mm für Unterlegscheibe



Mount.Hole 3.2mm für Unterlegscheibe

Assembly variant	6BE21-A
Created by	VY
Modified by	VY
Modified at	2019-07-08
SVN Revision	8500



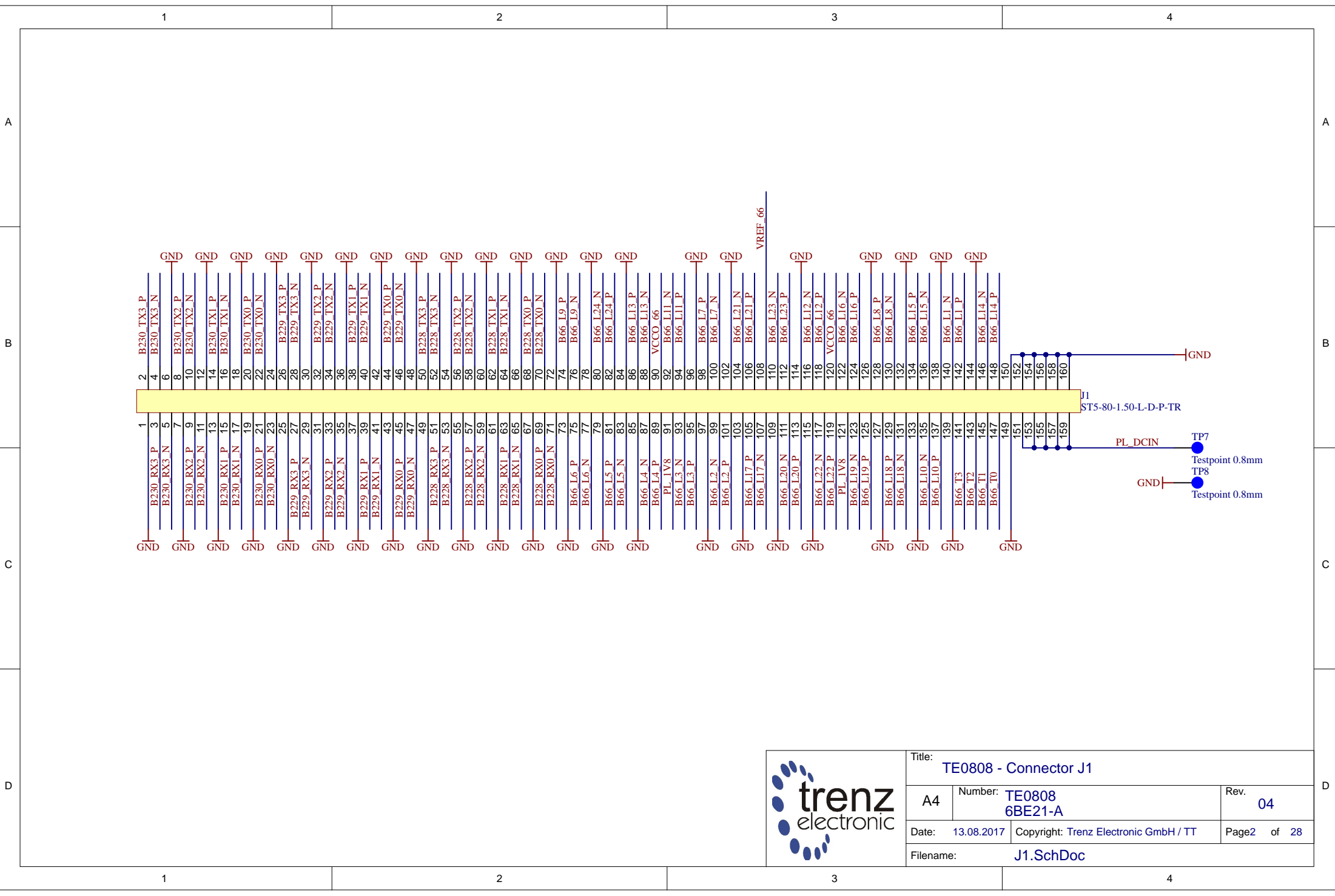
Title: TE0808		
A4	Number: TE0808 6BE21-A	Rev. 04
Date: 13.08.2017	Copyright: Trenz Electronic GmbH / TT	Page1 of 28
Filename: TE0808.SchDoc		

1

2

3

4



Title: TE0808 - Connector J1		
A4	Number: TE0808 6BE21-A	Rev. 04
Date: 13.08.2017	Copyright: Trenz Electronic GmbH / TT	Page2 of 28
Filename: J1.SchDoc		

1

2

3

4

A

A

B

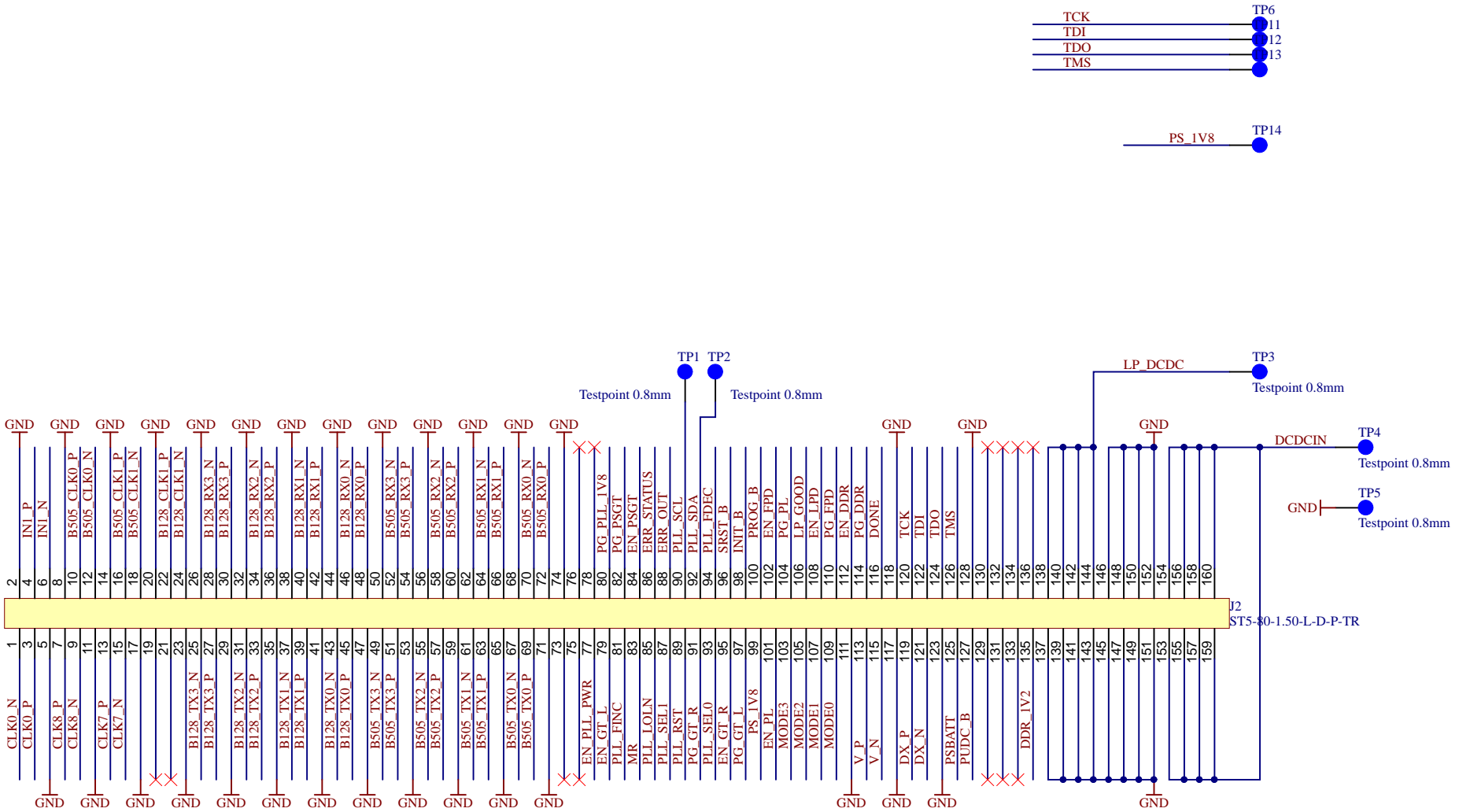
B


C

C

D

D



			Title: TE0808 - Connector J2	
			A4	Number: TE0808 6BE21-A
Date: 13.08.2017		Copyright: Trenz Electronic GmbH / TT		Page3 of 28
Filename: J2.SchDoc				

1

2

3

4

1

2

3

4

A

A

B

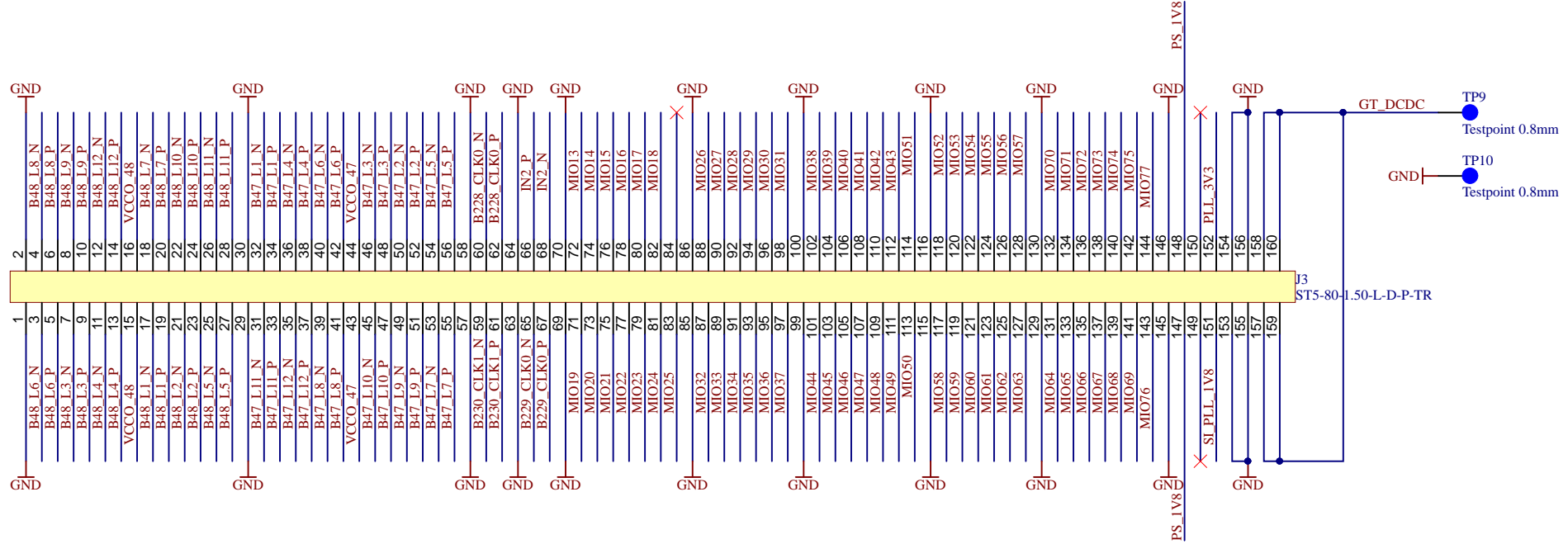
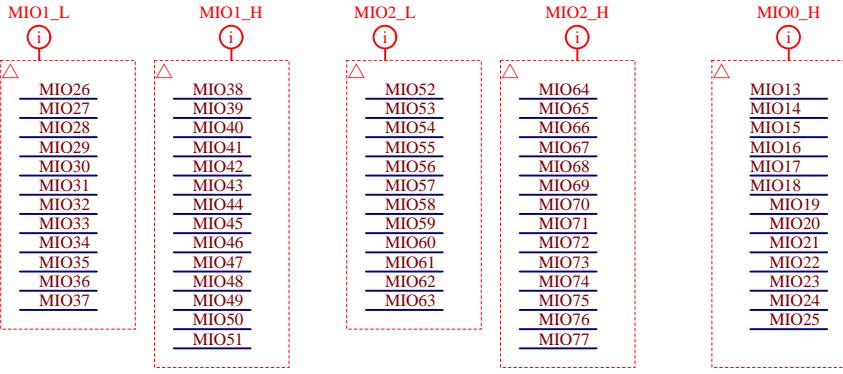
B

C

C

D

D



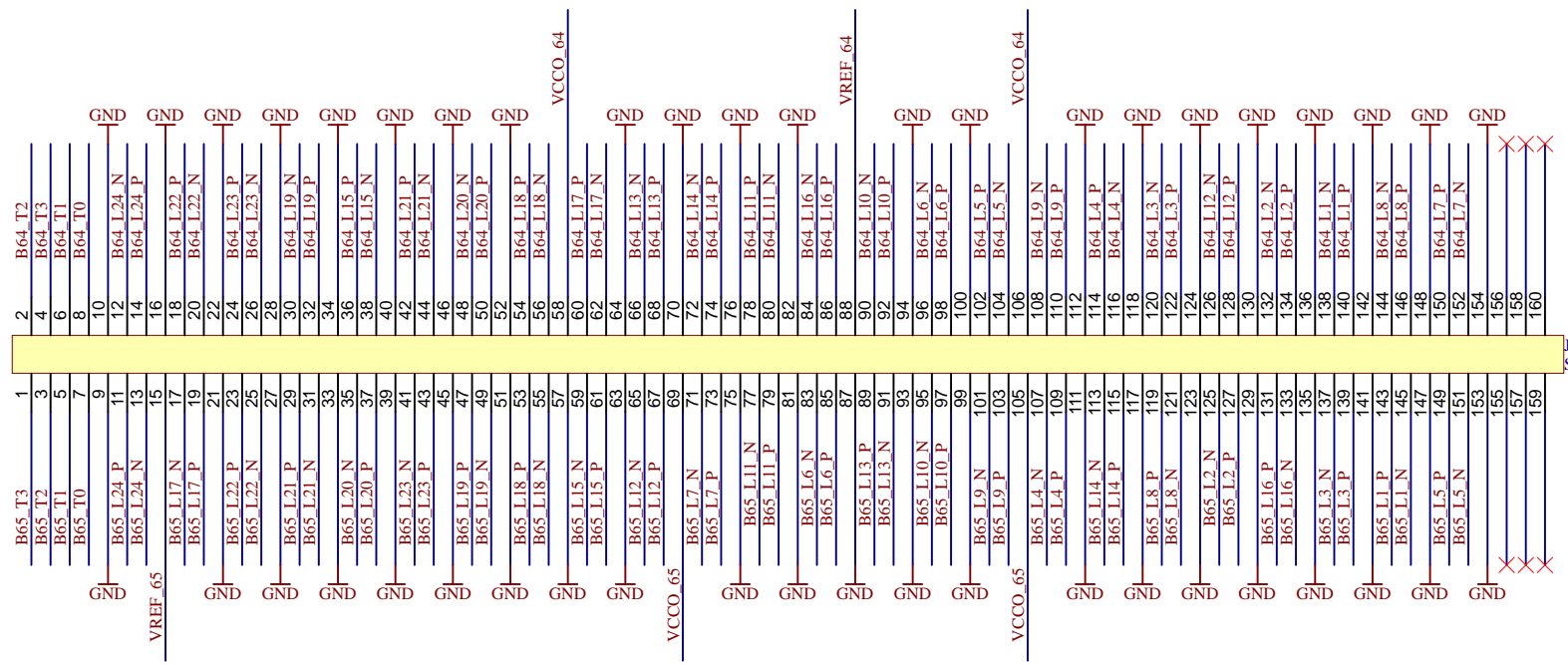
Title: TE0808 - Connector J3		
A4	Number: TE0808 6BE21-A	Rev. 04
Date: 13.08.2017	Copyright: Trenz Electronic GmbH / TT	Page4 of 28
Filename: J3.SchDoc		

1

2

3

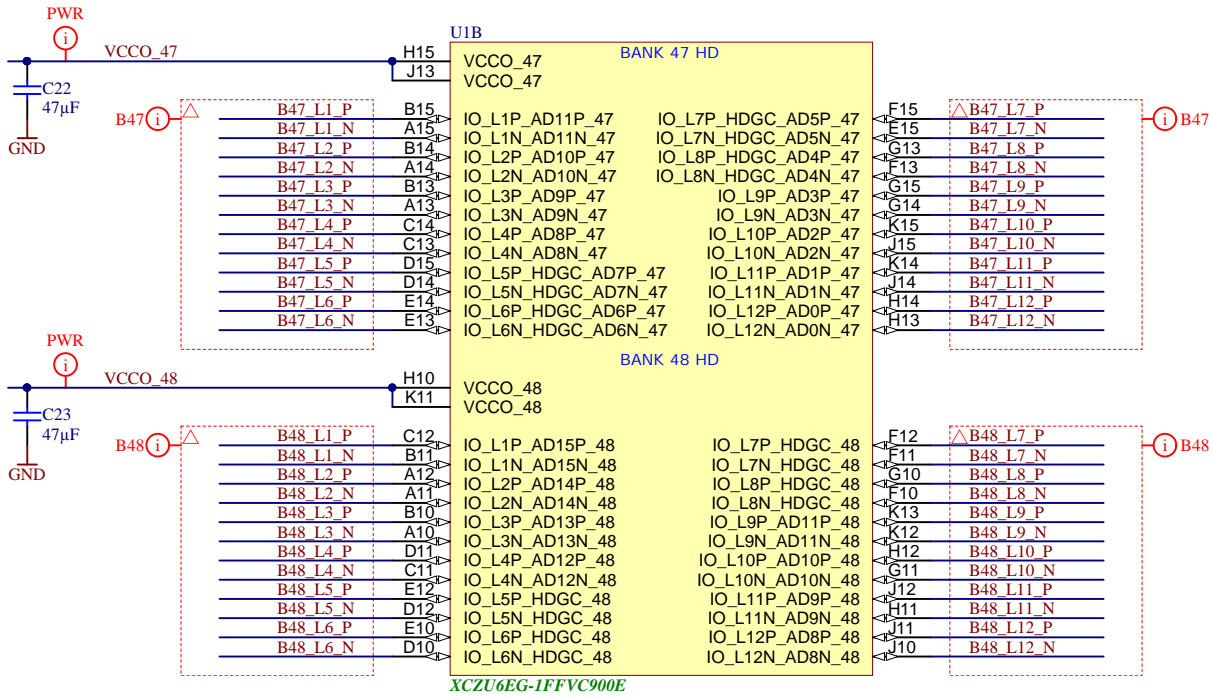
4



J4
ST5-80-1.50-L-D-P-TR



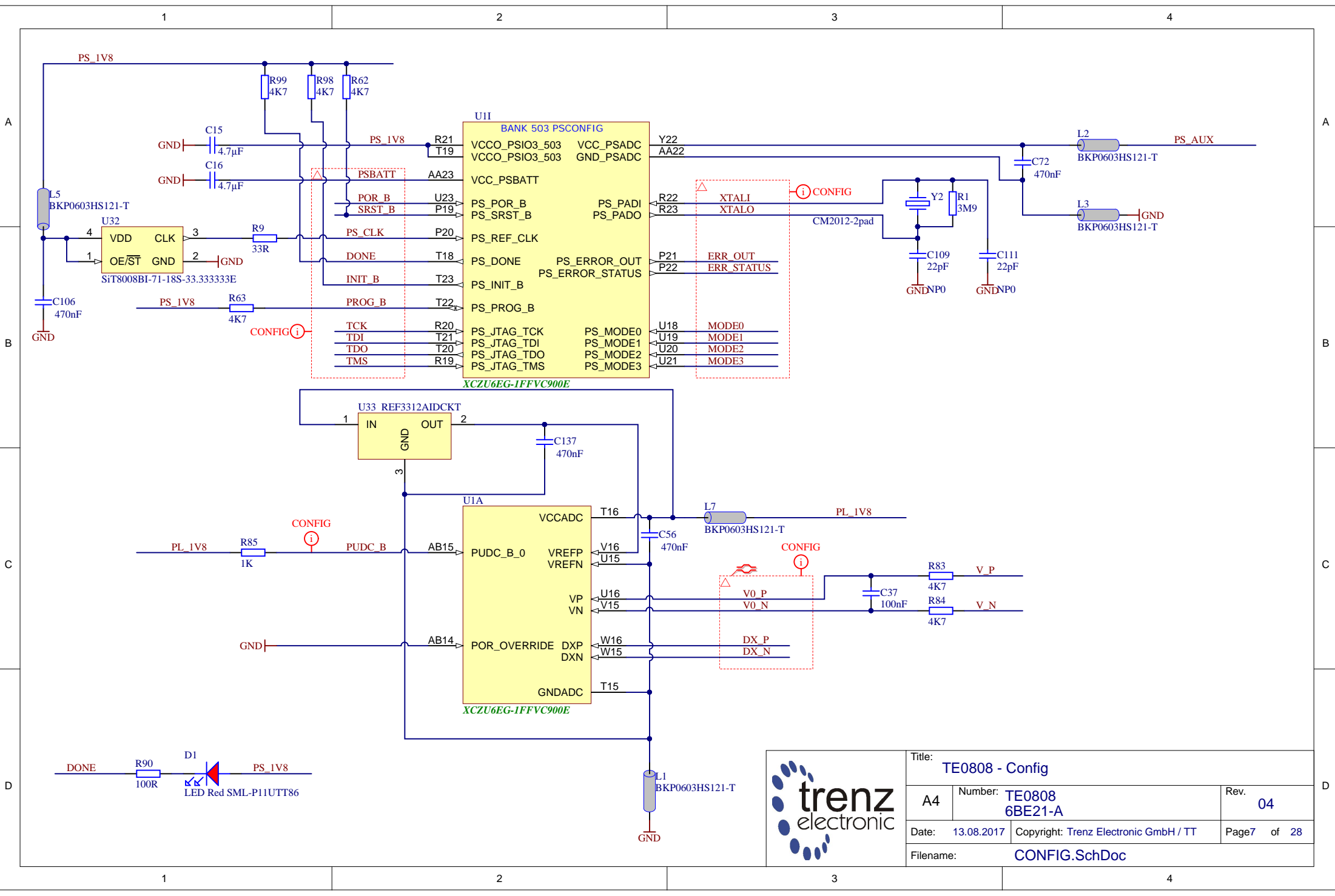
Title: TE0808 - Connector J4		
A4	Number: TE0808 6BE21-A	Rev. 04
Date: 13.08.2017	Copyright: Trenz Electronic GmbH / TT	Page5 of 28
Filename: J4.SchDoc		



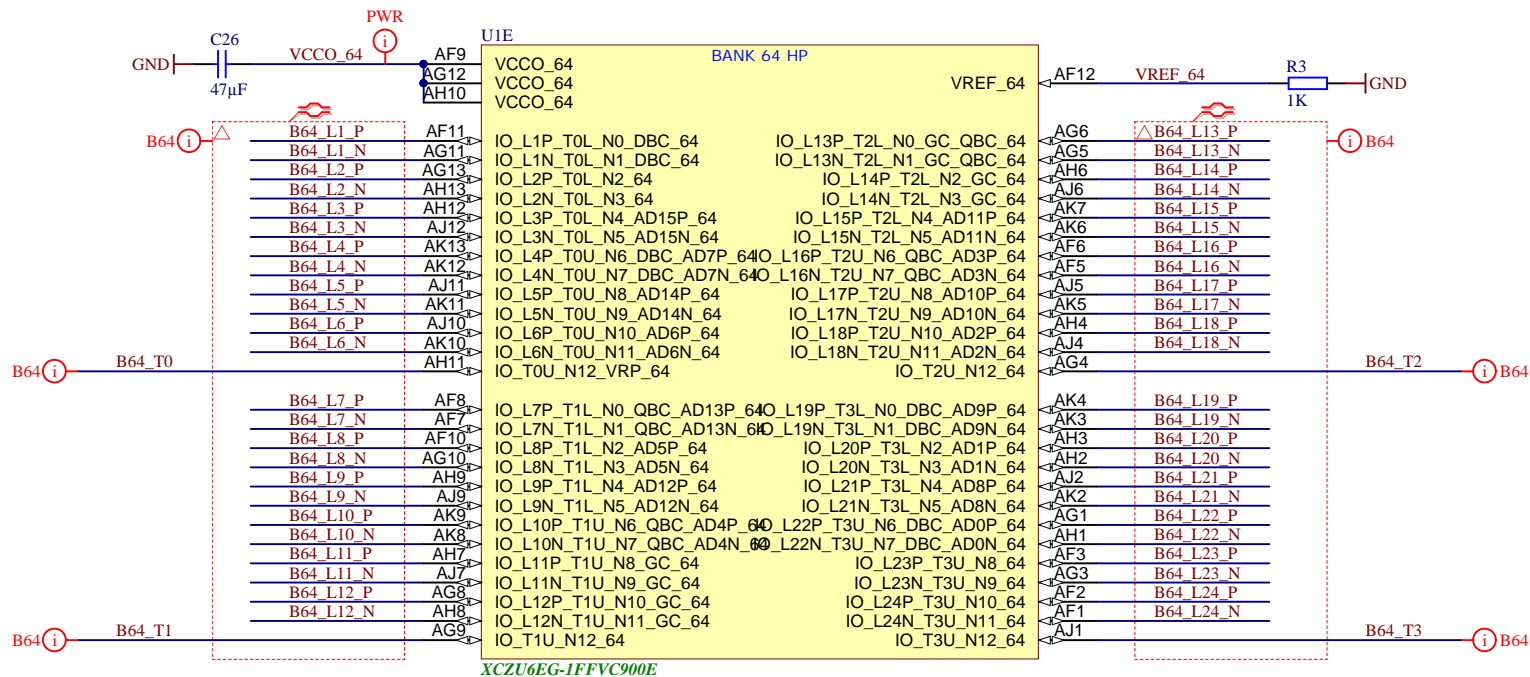
XCZU6EG-1FFVC900E



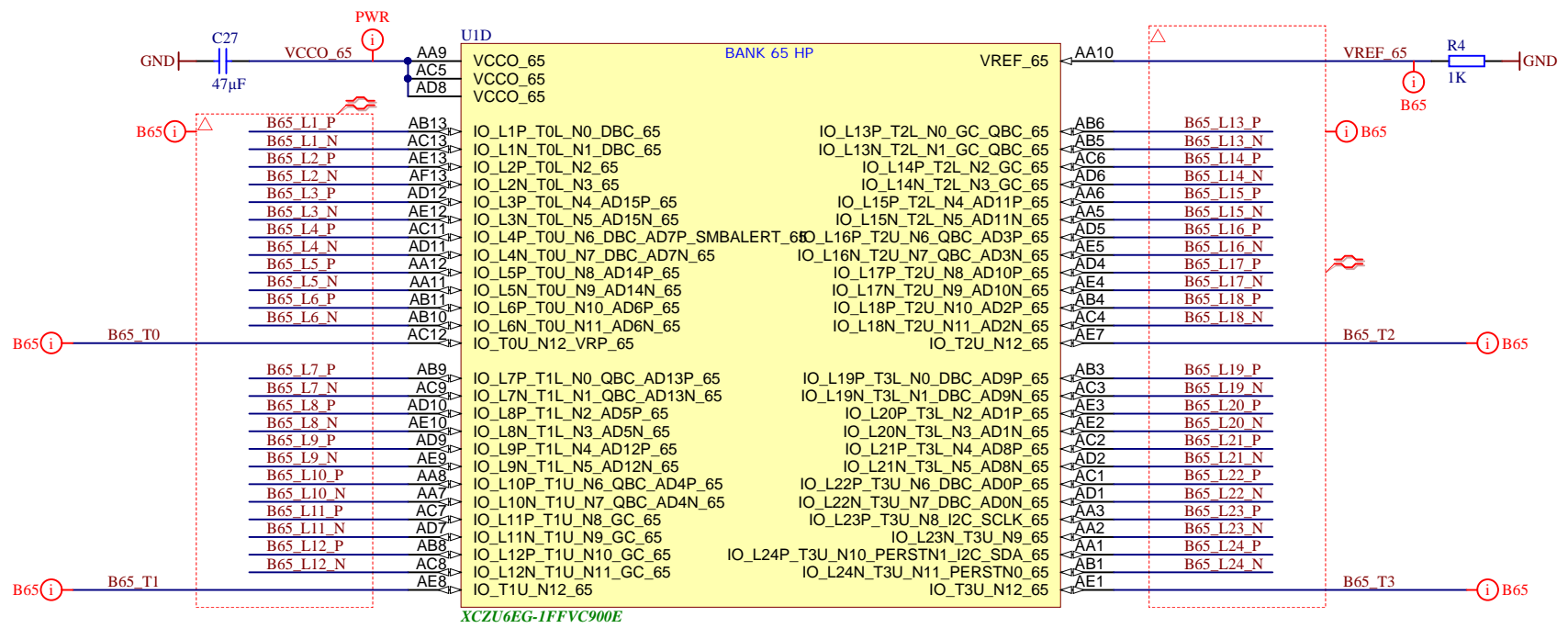
Title: TE0808 - B47HD and B48HD		
A4	Number: TE0808 6BE21-A	Rev. 04
Date: 13.08.2017	Copyright: Trenz Electronic GmbH / TT	Page6 of 28
Filename: B_HD.SchDoc		



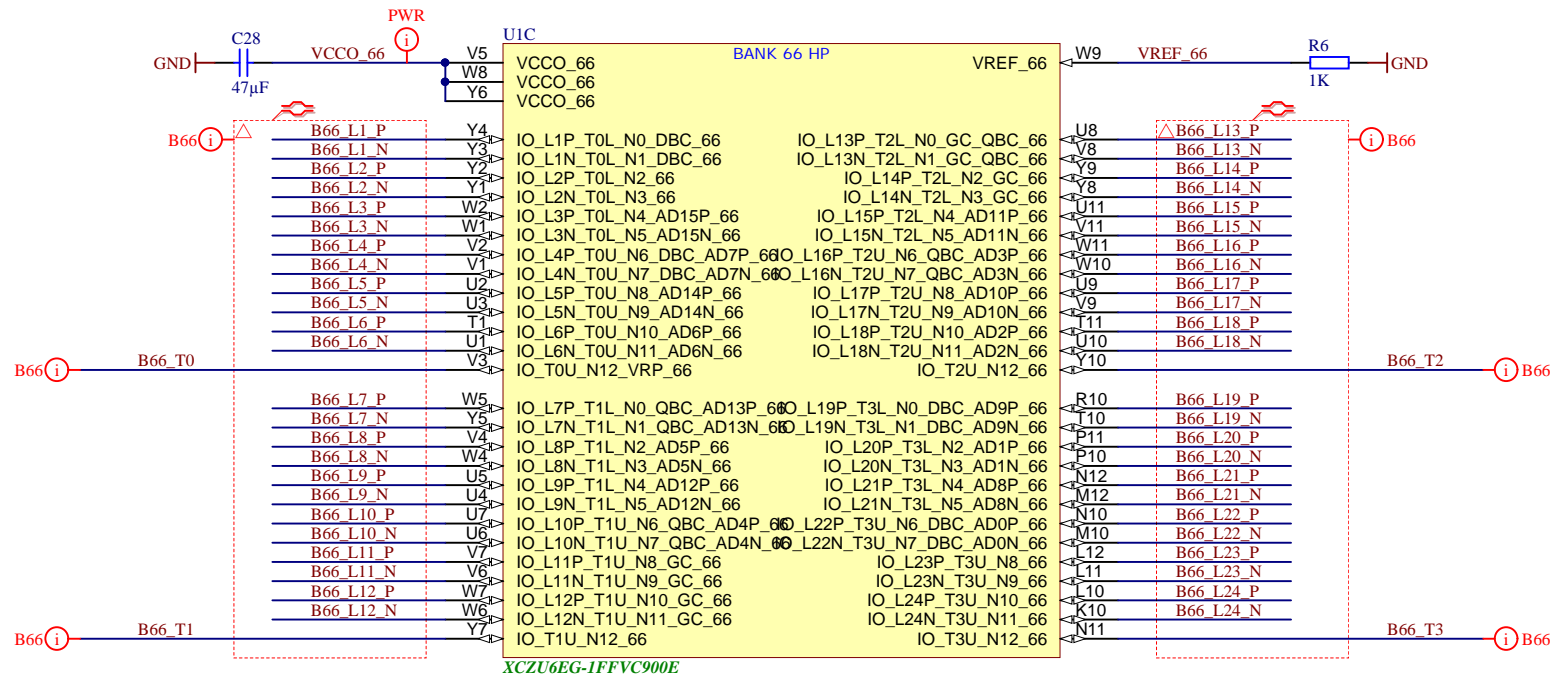
Title: TE0808 - Config		
A4	Number: TE0808 6BE21-A	Rev. 04
Date: 13.08.2017	Copyright: Trenz Electronic GmbH / TT	Page 7 of 28
Filename: CONFIG.SchDoc		



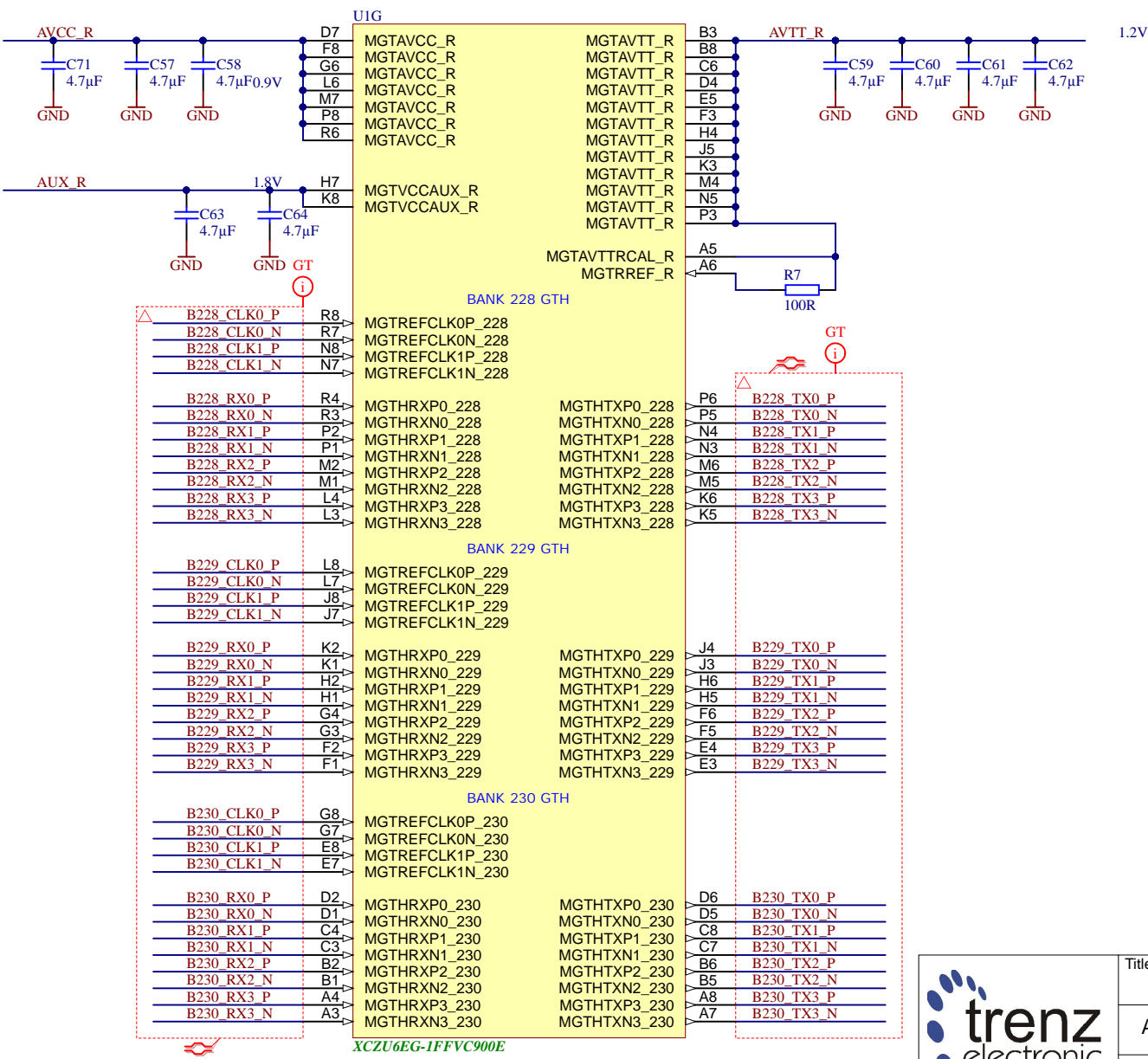
Title: TE0808 - B64		
A4	Number: TE0808 6BE21-A	Rev. 04
Date: 13.08.2017	Copyright: Trenz Electronic GmbH / TT	Page 8 of 28
Filename: B64.SchDoc		



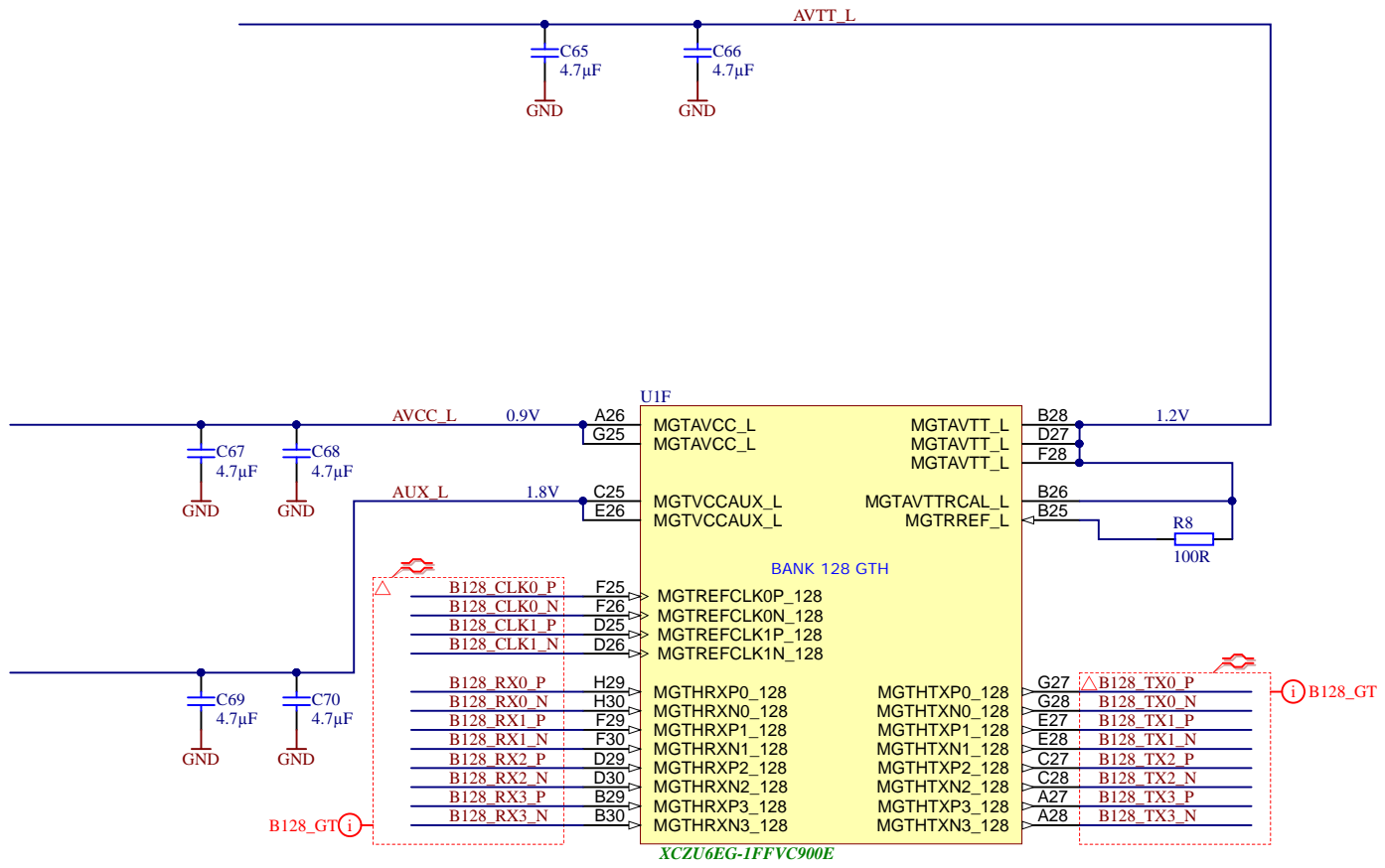
Title: TE0808 - B65		
A4	Number: TE0808 6BE21-A	Rev. 04
Date: 13.08.2017	Copyright: Trenz Electronic GmbH / TT	Page9 of 28
Filename: B65.SchDoc		



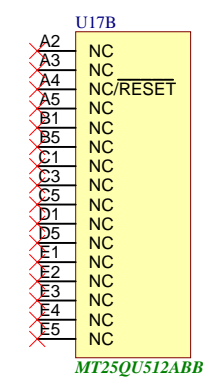
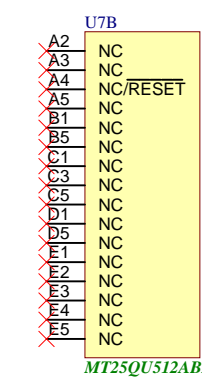
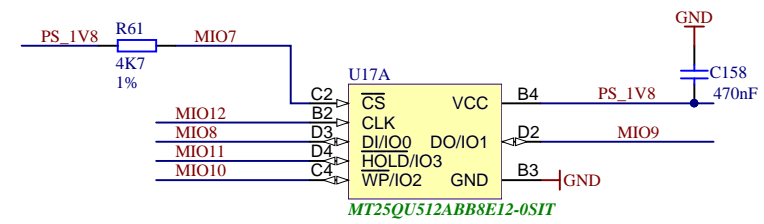
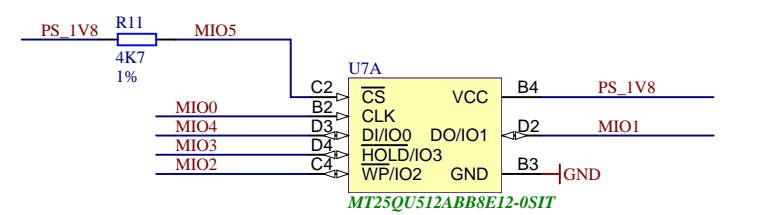
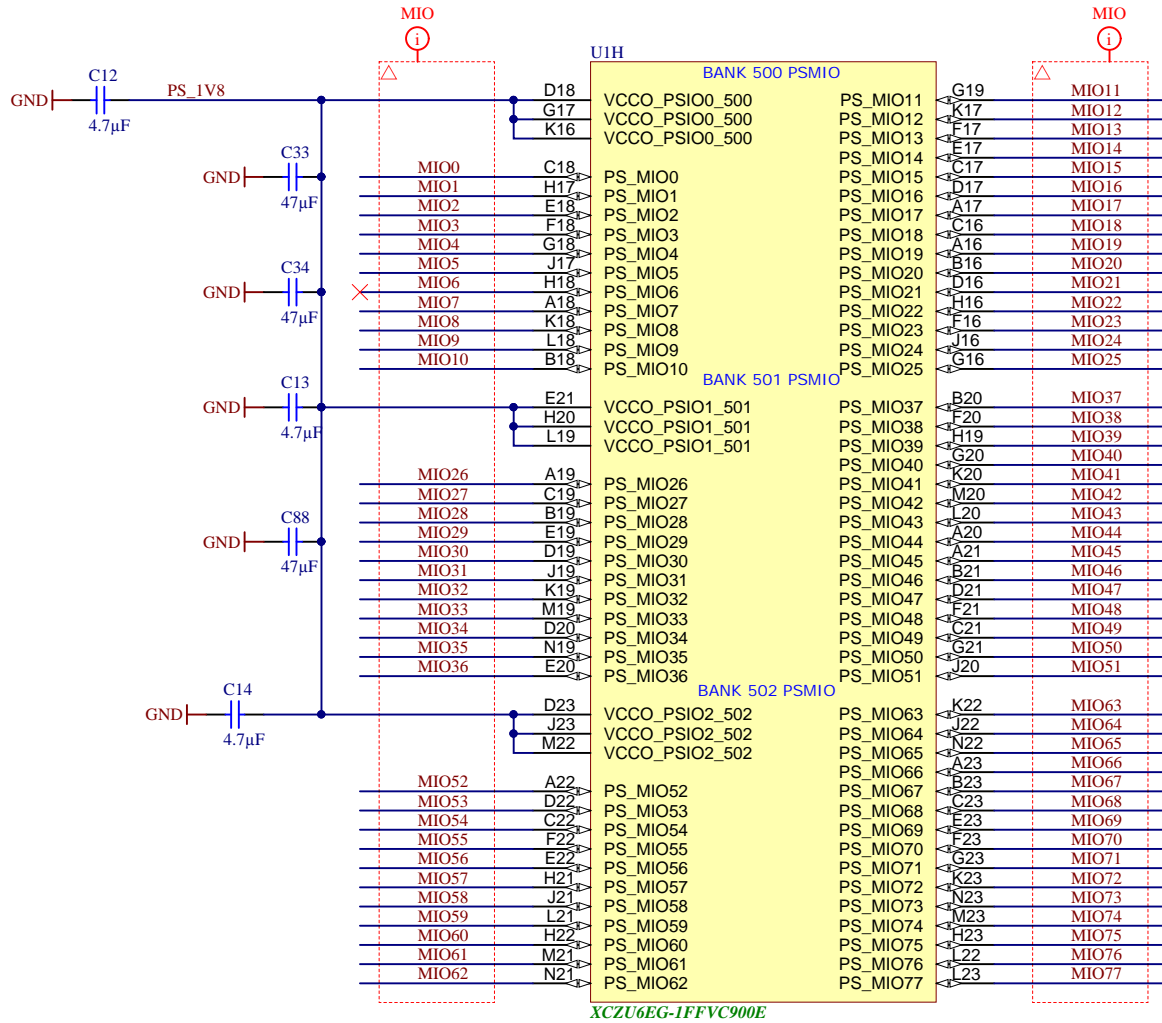
Title: TE0808 - B66		
A4	Number: TE0808 6BE21-A	Rev. 04
Date: 13.08.2017	Copyright: Trenz Electronic GmbH / TT	Page 10 of 28
Filename: B66.SchDoc		



Title: TE0808 - B228GTH_B229GTH_B230GTH		
A4	Number: TE0808 6BE21-A	Rev. 04
Date: 13.08.2017	Copyright: Trenz Electronic GmbH / TT	Page 11 of 28
Filename: B_GT.SchDoc		

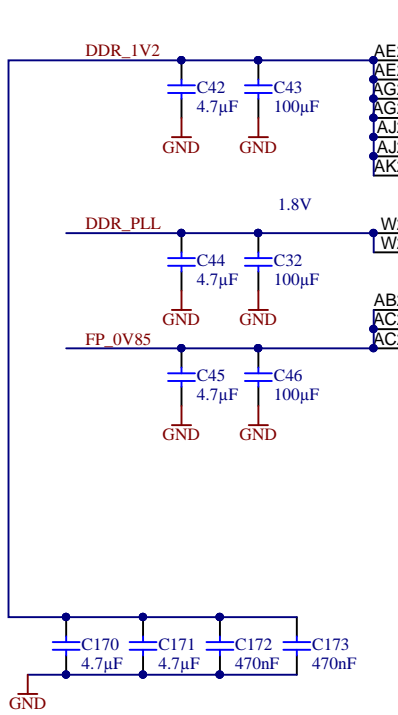


	Title: TE0808 - B128GTH	
	A4	Number: TE0808 6BE21-A
	Date: 13.08.2017	Copyright: Trenz Electronic GmbH / TT
	Page 12	of 28
Filename: B_GT_2.SchDoc		Rev. 04



trenz electronic

Title: TE0808 - MIO Banks		
A4	Number: TE0808 6BE21-A	Rev. 04
Date: 13.08.2017	Copyright: Trenz Electronic GmbH / TT	Page 13 of 28
Filename: B_MIO.SchDoc		



UIJ BANK 504 PSDDR			
VCCO_PSDDR_504	PS_DDR_CK0	AJ26	DDR4-CLK0_P
VCCO_PSDDR_504	PS_DDR_CK_N0	AJ27	DDR4-CLK0_N
VCCO_PSDDR_504	PS_DDR_CKE0	AJ25	DDR4-CKE0
VCCO_PSDDR_504		AG23	XXXX
VCCO_PSDDR_504	PS_DDR_CK1	AG24	XXXX
VCCO_PSDDR_504	PS_DDR_CK_N1	AH27	XXXX
VCCO_PSDDR_504		AH27	XXXX
	PS_DDR_A0	AK25	DDR4-A0
VCC_PSDDR_PLL	PS_DDR_A1	AK28	DDR4-A1
VCC_PSDDR_PLL	PS_DDR_A2	AK27	DDR4-A2
	PS_DDR_A3	AH24	DDR4-A3
	PS_DDR_A4	AK24	DDR4-A4
VCC_PSINTFP_DDR	PS_DDR_A5	AJ30	DDR4-A5
VCC_PSINTFP_DDR	PS_DDR_A6	AE22	DDR4-A6
VCC_PSINTFP_DDR	PS_DDR_A7	AE25	DDR4-A7
	PS_DDR_A8	AE23	DDR4-A8
	PS_DDR_A9	AE24	DDR4-A9
	PS_DDR_A10	AD22	DDR4-A10
	PS_DDR_A11	AH23	DDR4-A11
	PS_DDR_A12	AF21	DDR4-A12
	PS_DDR_A13	AG21	DDR4-A13
	PS_DDR_A14	AF22	DDR4-A14
	PS_DDR_A15	AF23	DDR4-A15
	PS_DDR_A16	AD21	DDR4-A16
	PS_DDR_A17	AD20	DDR4-A17
	PS_DDR_CS_N0	AJ24	DDR4-CS
	PS_DDR_CS_N1	AG25	XXXX
	PS_DDR_BA0	AG26	DDR4-BA0
	PS_DDR_BA1	AF25	DDR4-BA1
	PS_DDR_BG0	AF26	DDR4-BG0
	PS_DDR_BG1	AD26	XXXX
	PS_DDR_PARITY	AC14	DDR4-PAR
	PS_DDR_RAM_RST_N	AC16	DDR4-RESET
	PS_DDR_ACT_N	AC17	DDR4-ACT
	PS_DDR_ALERT_N	AD19	DDR4-ALERT
	PS_DDR_ZQ	AC23	R2 240R GND
	PS_DDR_ODT0	AJ29	DDR4-ODT0
	PS_DDR_ODT1	AH26	XXXX

XCZU6EG-1FFVC900E

UIK BANK 504 PSDDR			
DQ0	AK17	PS_DDR_DQ0	PS_DDR_DQ32
DQ1	AH17	PS_DDR_DQ1	PS_DDR_DQ33
DQ2	AJ17	PS_DDR_DQ2	PS_DDR_DQ34
DQ3	AH16	PS_DDR_DQ3	PS_DDR_DQ35
DQ4	AK15	PS_DDR_DQ4	PS_DDR_DQ36
DQ5	AK14	PS_DDR_DQ5	PS_DDR_DQ37
DQ6	AJ14	PS_DDR_DQ6	PS_DDR_DQ38
DQ7	AH14	PS_DDR_DQ7	PS_DDR_DQ39
DQ8	AK19	PS_DDR_DQ8	PS_DDR_DQ40
DQ9	AK18	PS_DDR_DQ9	PS_DDR_DQ41
DQ10	AJ19	PS_DDR_DQ10	PS_DDR_DQ42
DQ11	AH19	PS_DDR_DQ11	PS_DDR_DQ43
DQ12	AK21	PS_DDR_DQ12	PS_DDR_DQ44
DQ13	AK22	PS_DDR_DQ13	PS_DDR_DQ45
DQ14	AH21	PS_DDR_DQ14	PS_DDR_DQ46
DQ15	AJ22	PS_DDR_DQ15	PS_DDR_DQ47
DQ16	AG14	PS_DDR_DQ16	PS_DDR_DQ48
DQ17	AG15	PS_DDR_DQ17	PS_DDR_DQ49
DQ18	AG16	PS_DDR_DQ18	PS_DDR_DQ50
DQ19	AF16	PS_DDR_DQ19	PS_DDR_DQ51
DQ20	AD14	PS_DDR_DQ20	PS_DDR_DQ52
DQ21	AD16	PS_DDR_DQ21	PS_DDR_DQ53
DQ22	AD15	PS_DDR_DQ22	PS_DDR_DQ54
DQ23	AD17	PS_DDR_DQ23	PS_DDR_DQ55
DQ24	AE17	PS_DDR_DQ24	PS_DDR_DQ56
DQ25	AE18	PS_DDR_DQ25	PS_DDR_DQ57
DQ26	AE20	PS_DDR_DQ26	PS_DDR_DQ58
DQ27	AE19	PS_DDR_DQ27	PS_DDR_DQ59
DQ28	AG18	PS_DDR_DQ28	PS_DDR_DQ60
DQ29	AH18	PS_DDR_DQ29	PS_DDR_DQ61
DQ30	AG19	PS_DDR_DQ30	PS_DDR_DQ62
DQ31	AG20	PS_DDR_DQ31	PS_DDR_DQ63
		PS_DDR_DQ64	PS_DDR_DQ65
DDR4-DQS0_P	AJ15	PS_DDR_DQS_P0	PS_DDR_DQS_N0
DDR4-DQS0_N	AJ16	PS_DDR_DQS_N0	PS_DDR_DQS_P1
DDR4-DQS1_P	AJ20	PS_DDR_DQS_P1	PS_DDR_DQS_N1
DDR4-DQS1_N	AJ21	PS_DDR_DQS_N1	PS_DDR_DQS_P2
DDR4-DQS2_P	AE15	PS_DDR_DQS_P2	PS_DDR_DQS_N2
DDR4-DQS2_N	AF15	PS_DDR_DQS_N2	PS_DDR_DQS_P3
DDR4-DQS3_P	AF17	PS_DDR_DQS_P3	PS_DDR_DQS_N3
DDR4-DQS3_N	AF18	PS_DDR_DQS_N3	PS_DDR_DQS_P4
DDR4-DQS4_P	AB24	PS_DDR_DQS_P4	PS_DDR_DQS_N4
DDR4-DQS4_N	AB25	PS_DDR_DQS_N4	PS_DDR_DQS_P5
DDR4-DQS5_P	V26	PS_DDR_DQS_P5	PS_DDR_DQS_N5
DDR4-DQS5_N	V27	PS_DDR_DQS_N5	PS_DDR_DQS_P6
DDR4-DQS6_P	AC28	PS_DDR_DQS_P6	PS_DDR_DQS_N6
DDR4-DQS6_N	AC29	PS_DDR_DQS_N6	PS_DDR_DQS_P7
DDR4-DQS7_P	W29	PS_DDR_DQS_P7	PS_DDR_DQS_N7
DDR4-DQS7_N	Y29	PS_DDR_DQS_N7	PS_DDR_DQS_P8
	AG29	PS_DDR_DQS_P8	PS_DDR_DQS_N8
	AH29	PS_DDR_DQS_N8	
		PS_DDR_DM0	AK16
		PS_DDR_DM1	AK20
		PS_DDR_DM2	AE14
		PS_DDR_DM3	AF20
		PS_DDR_DM4	AB26
		PS_DDR_DM5	V24
		PS_DDR_DM6	AC30
		PS_DDR_DM7	Y30
		PS_DDR_DM8	AE29

XCZU6EG-1FFVC900E

Title: TE0808 - PS_DDR

A4	Number: TE0808 6BE21-A	Rev. 04
Date: 13.08.2017	Copyright: Trenz Electronic GmbH / TT	Page 14 of 28
Filename: PS_DDR.SchDoc		

1

2

3

4

A

A

B

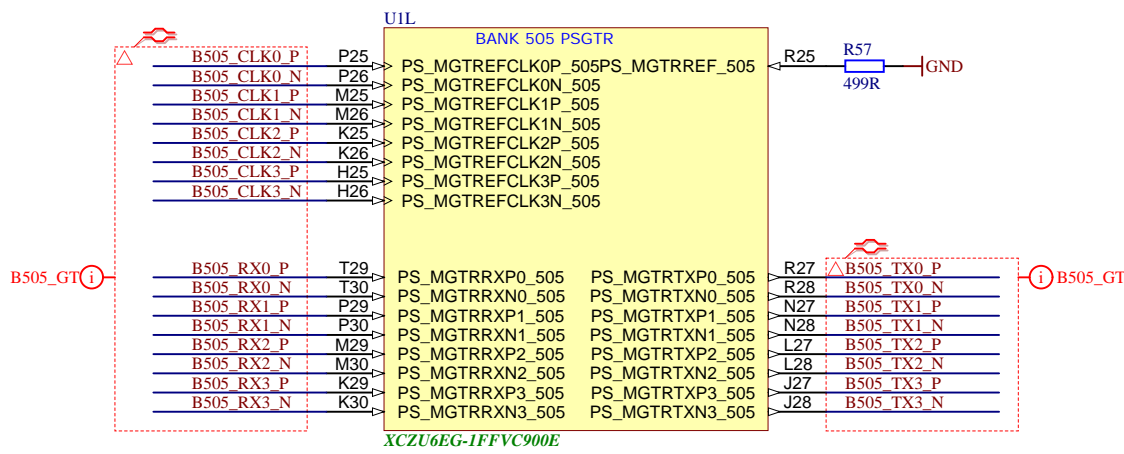
B


C

C

D

D



	Title: TE0808 - PS_GT		
	A4	Number: TE0808 6BE21-A	Rev. 04
	Date: 13.08.2017	Copyright: Trenz Electronic GmbH / TT	Page 15 of 28
	Filename: B_PS_GT.SchDoc		

1

2

3

4

1

2

3

4

A

A

B

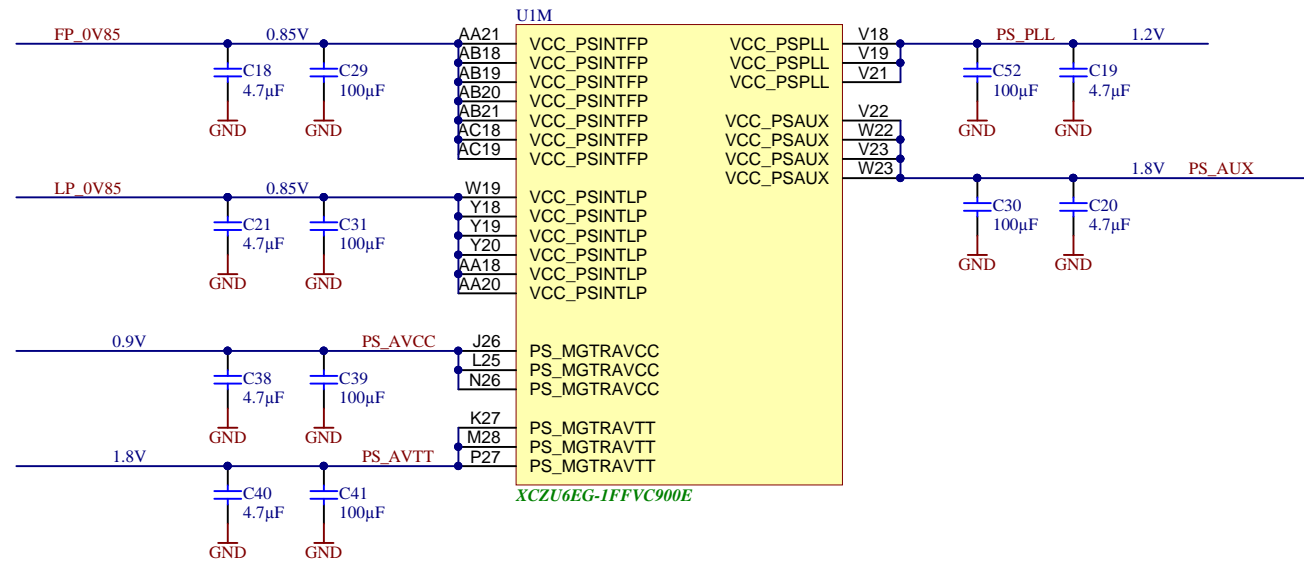
B

C

C

D


D



U1M

VCC_PSINTFP	VCC_PSPLL
VCC_PSINTFP	VCC_PSPLL
VCC_PSINTFP	VCC_PSPLL
VCC_PSINTFP	VCC_PSPLL
VCC_PSINTFP	VCC_PSAUX
VCC_PSINTFP	VCC_PSAUX
VCC_PSINTFP	VCC_PSAUX
VCC_PSINTFP	VCC_PSAUX
VCC_PSINTLP	VCC_PSINTLP
VCC_PSINTLP	VCC_PSINTLP
VCC_PSINTLP	VCC_PSINTLP
VCC_PSINTLP	VCC_PSINTLP
VCC_PSINTLP	VCC_PSINTLP
VCC_PSINTLP	VCC_PSINTLP
PS_MGTRAVCC	PS_MGTRAVCC
PS_MGTRAVCC	PS_MGTRAVCC
PS_MGTRAVCC	PS_MGTRAVCC
PS_MGTRAVTT	PS_MGTRAVTT
PS_MGTRAVTT	PS_MGTRAVTT
PS_MGTRAVTT	PS_MGTRAVTT

XCZU6EG-1FFVC900E

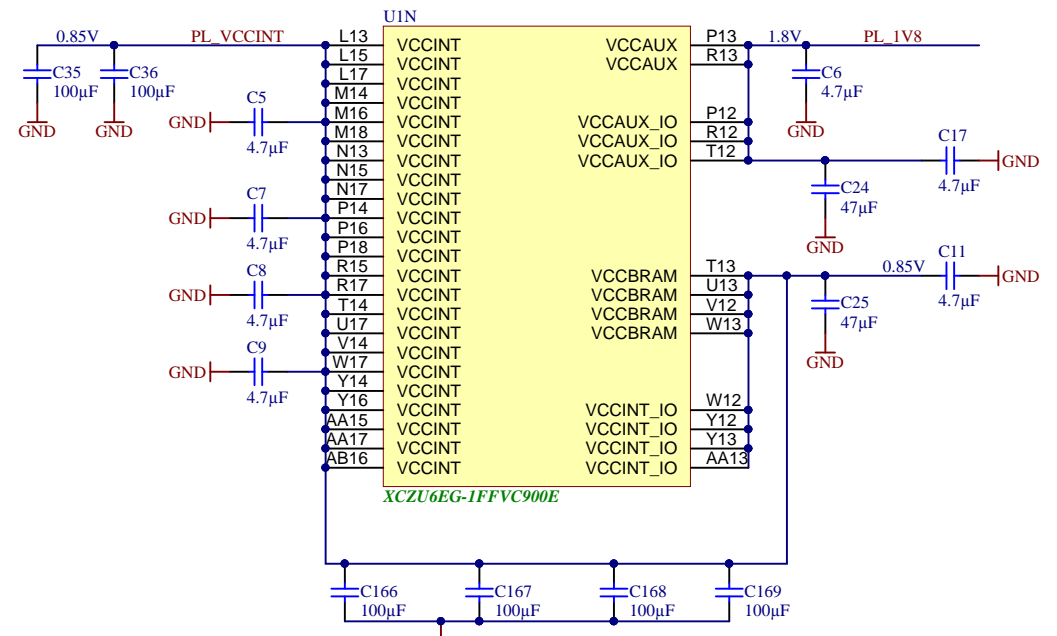
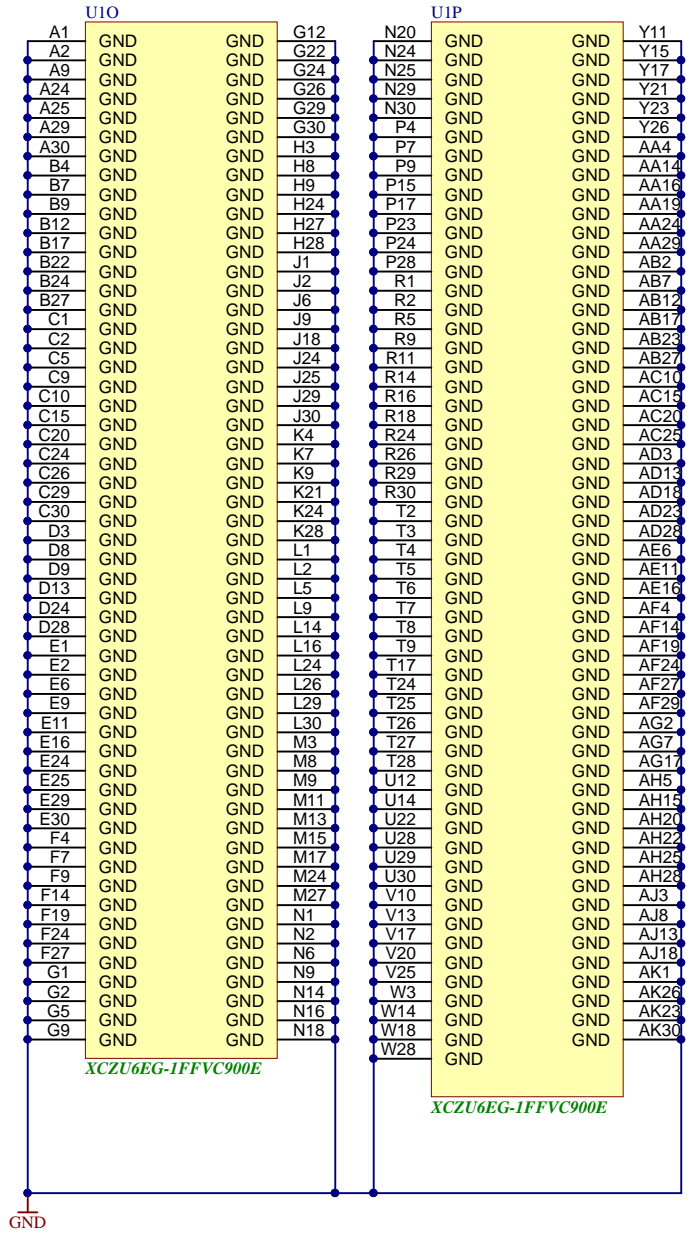
	Title: TE0808 - ZU_PS_POWER		
	A4	Number: TE0808 6BE21-A	Rev. 04
	Date: 13.08.2017	Copyright: Trenz Electronic GmbH / TT	Page 16 of 28
	Filename: ZU_PS_POWER.SchDoc		

1

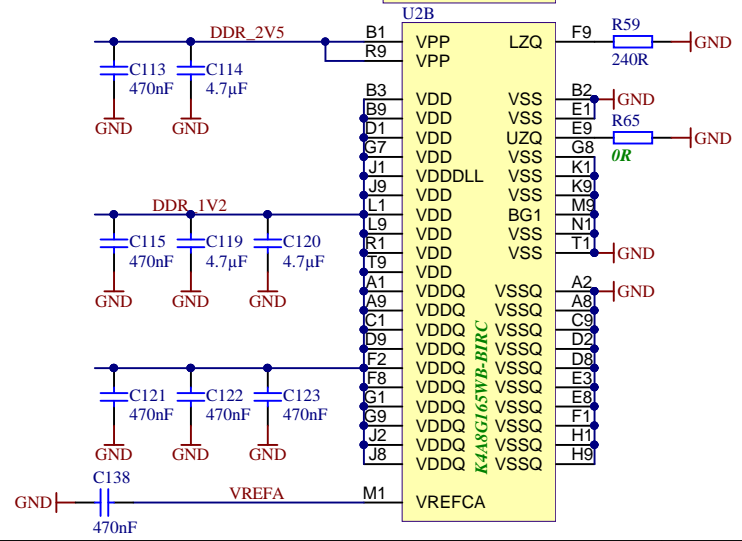
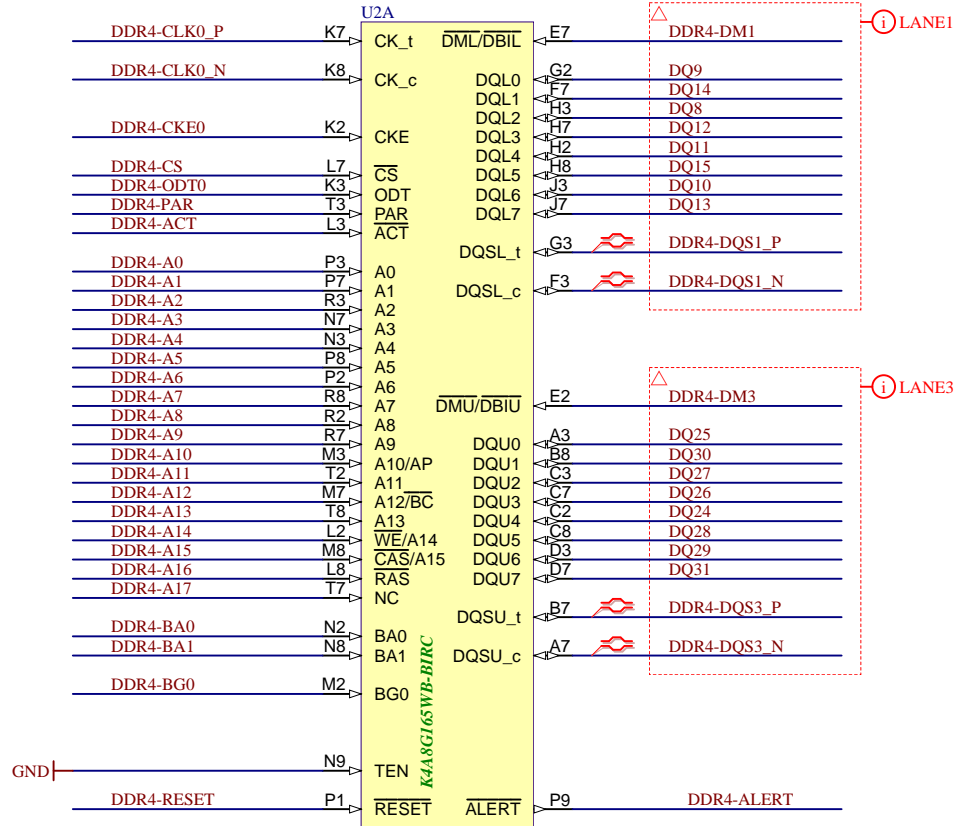

2

3

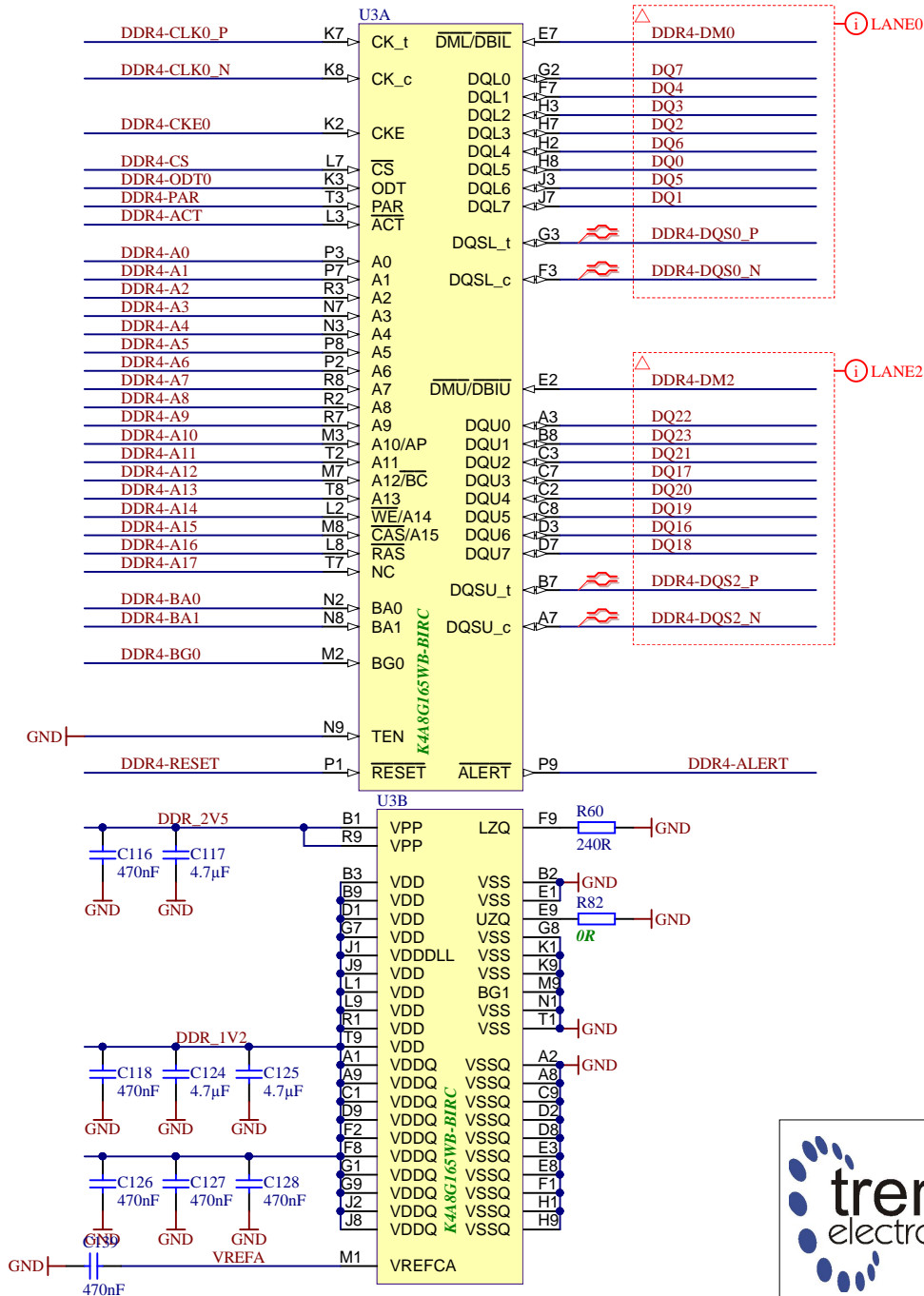
4



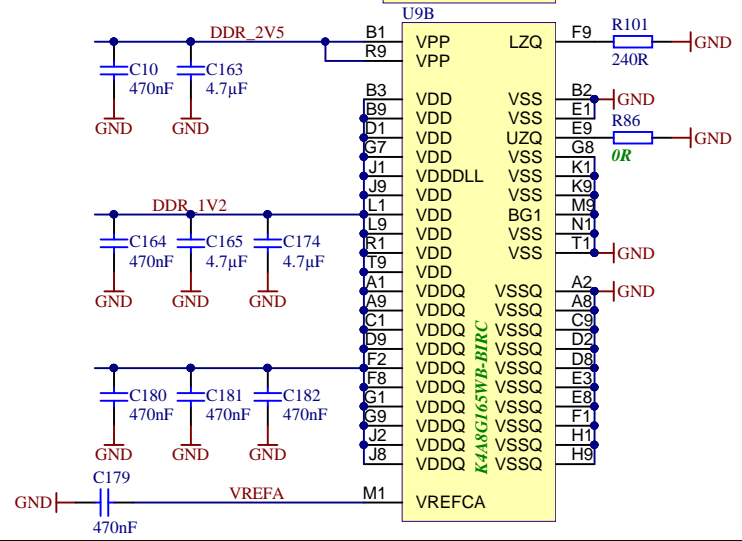
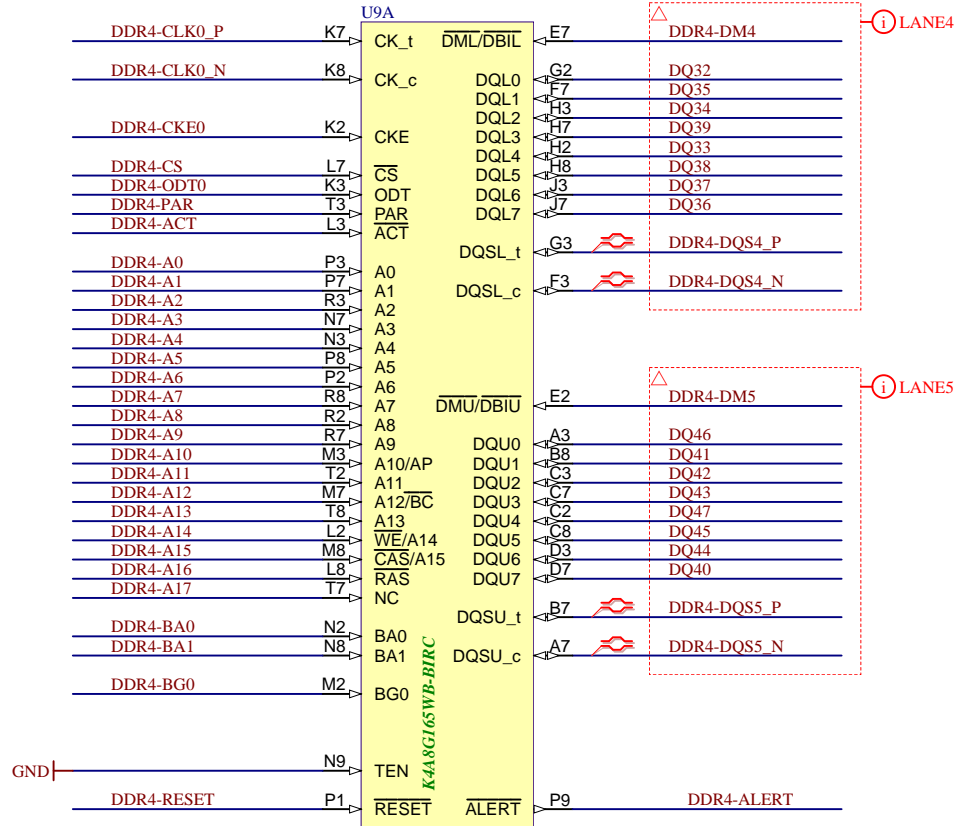

Title: TE0808 - ZU_POWER		
A4	Number: TE0808 6BE21-A	Rev. 04
Date: 13.08.2017	Copyright: Trenz Electronic GmbH / TT	Page 17 of 28
Filename: ZU_POWER.SchDoc		

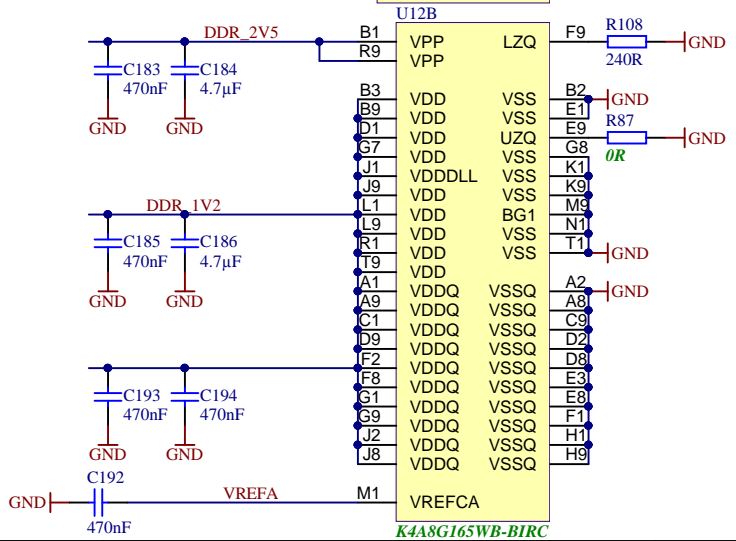
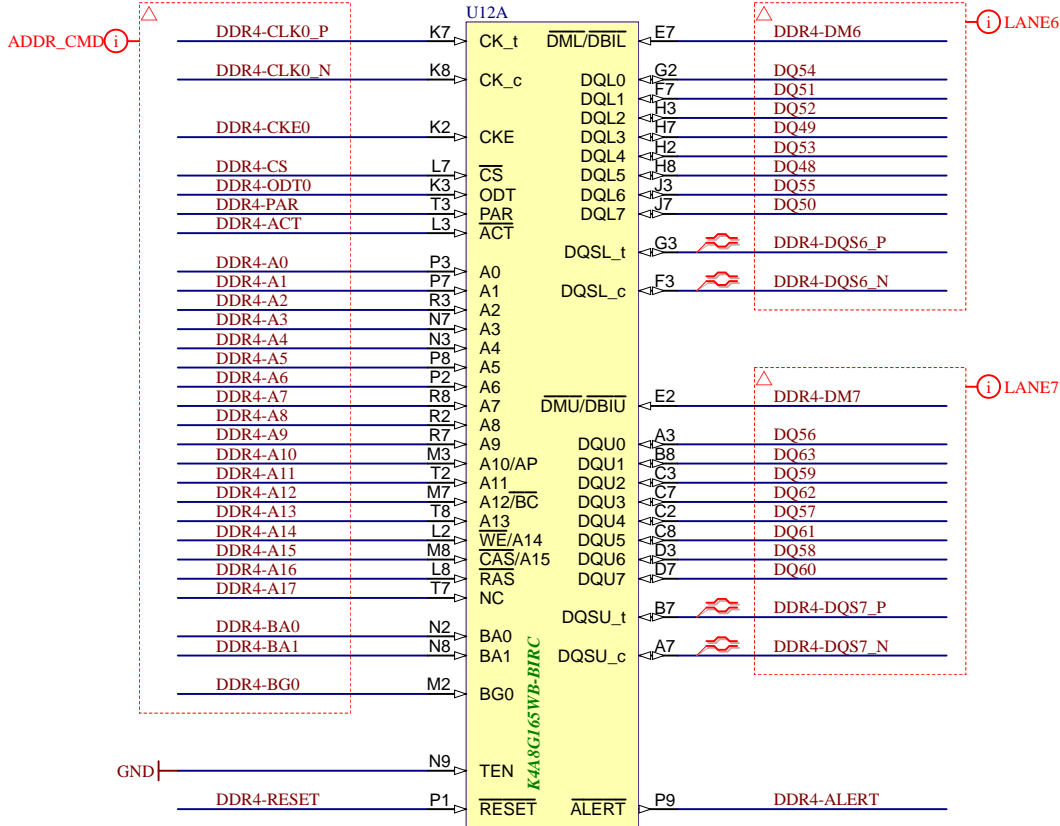
Title: TE0808 - DDR4_1_RAM		
A4	Number: TE0808 6BE21-A	Rev. 04
Date: 13.08.2017	Copyright: Trenz Electronic GmbH / TT	Page18 of 28
Filename: DDR4-RAM.SchDoc		



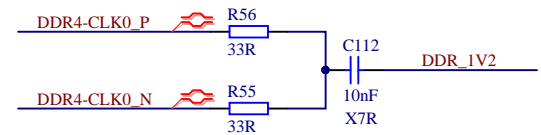
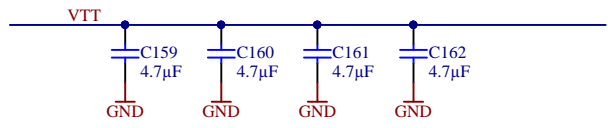
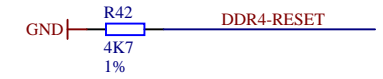
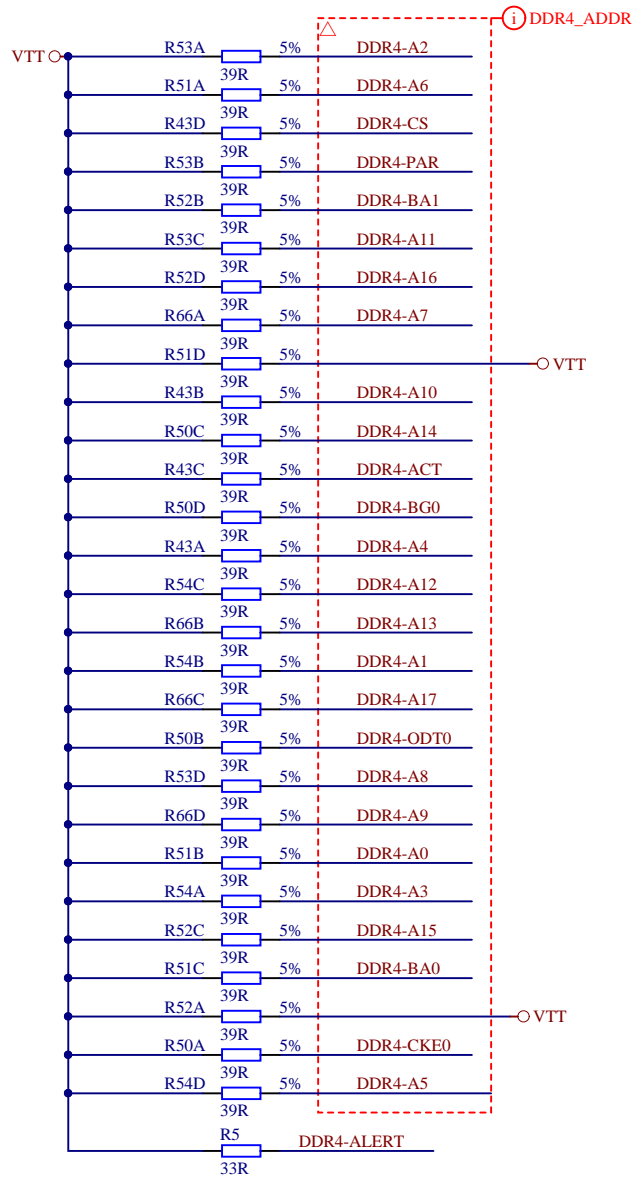
Title: TE0808 - DDR4_2_RAM		
A4	Number: TE0808 6BE21-A	Rev. 04
Date: 13.08.2017	Copyright: Trenz Electronic GmbH / TT	Page 19 of 28
Filename: DDR4-RAM_2.SchDoc		

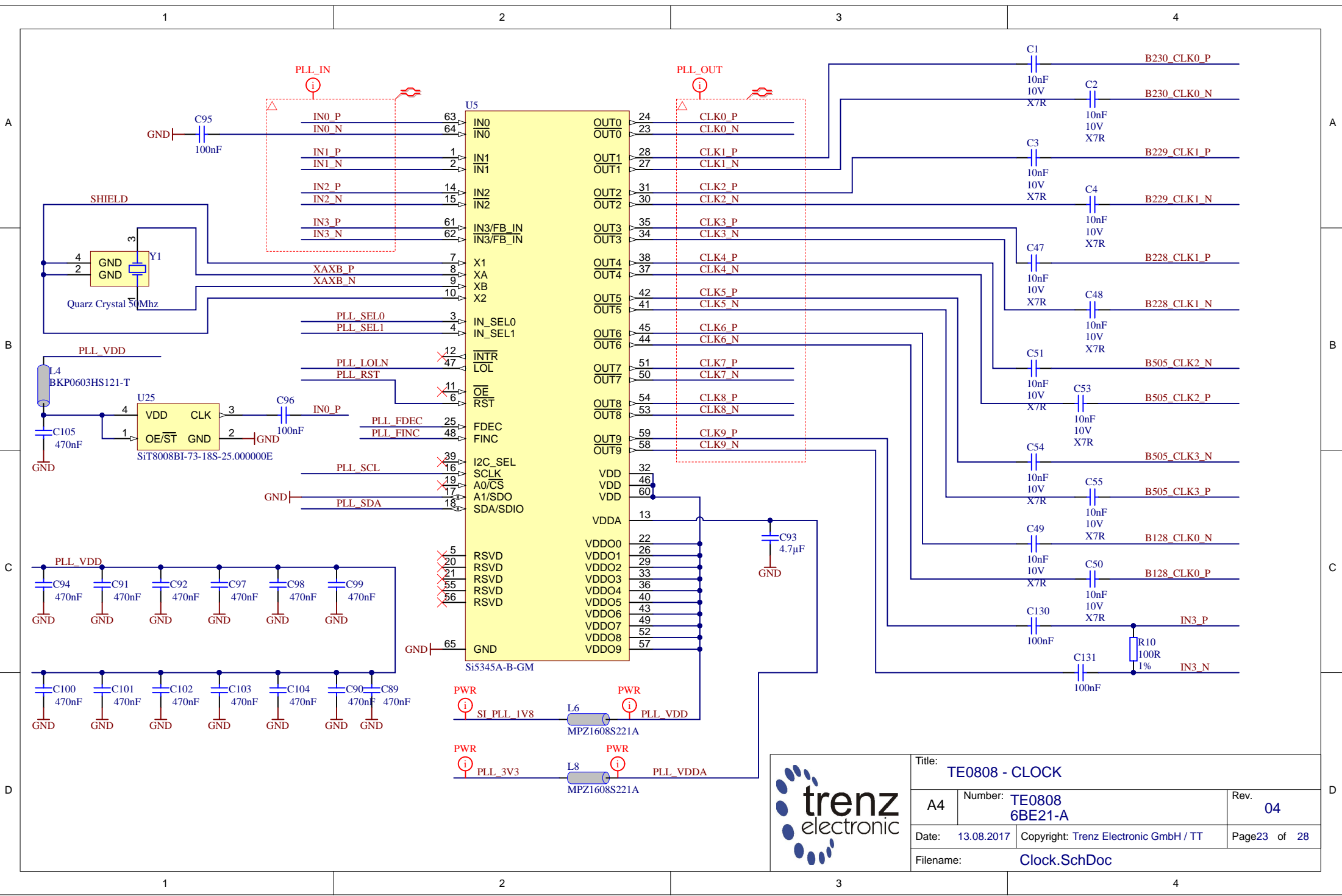
Title: TE0808 - DDR4_3_RAM		
A4	Number: TE0808 6BE21-A	Rev. 04
Date: 13.08.2017	Copyright: Trenz Electronic GmbH / TT	Page20 of 28
Filename: DDR4-RAM_3.SchDoc		



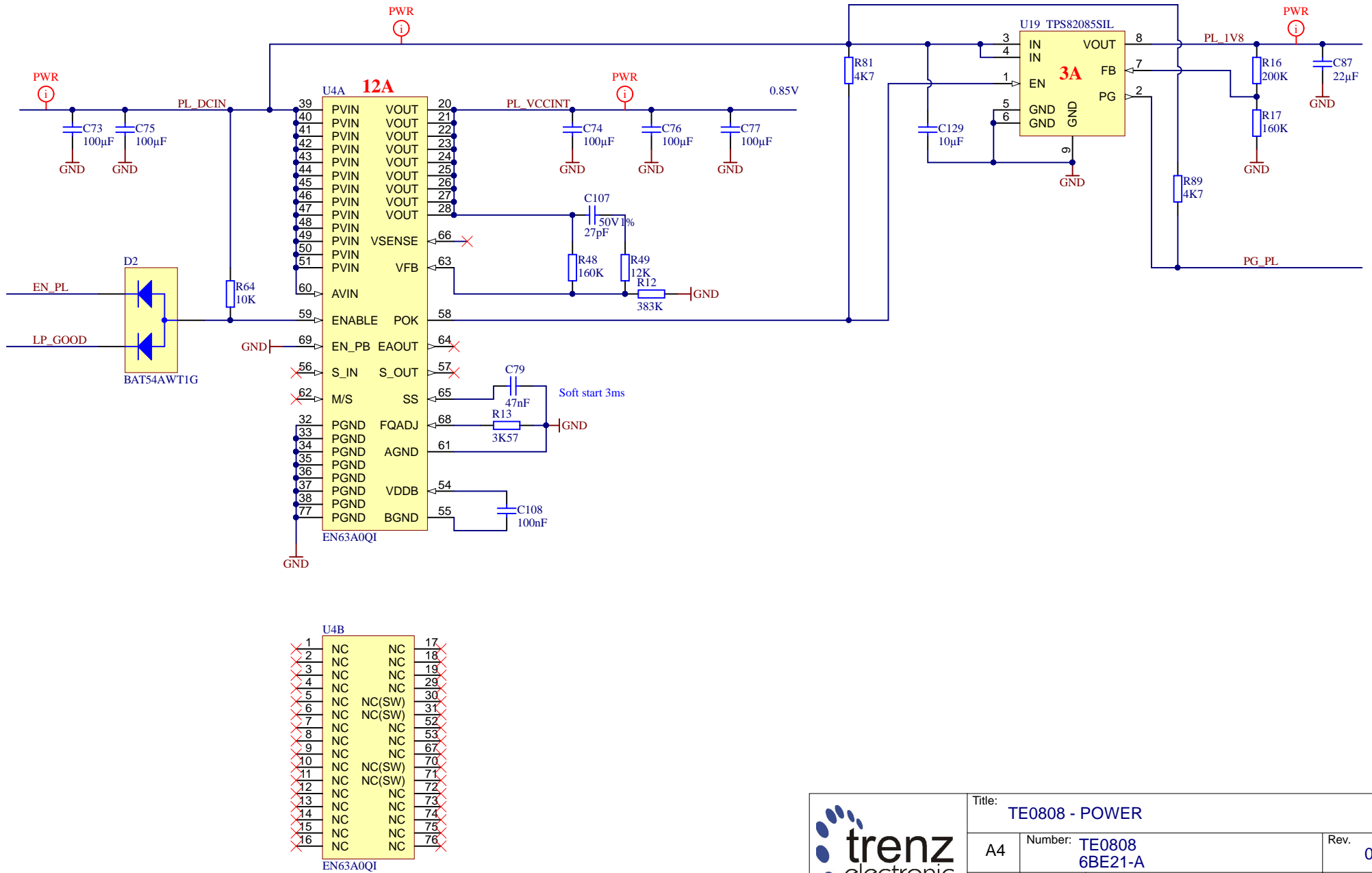
Title: TE0808 - DDR4_4_RAM		
A4	Number: TE0808 6BE21-A	Rev. 04
Date: 13.08.2017	Copyright: Trenz Electronic GmbH / TT	Page 21 of 28
Filename: DDR4-RAM_4.SchDoc		




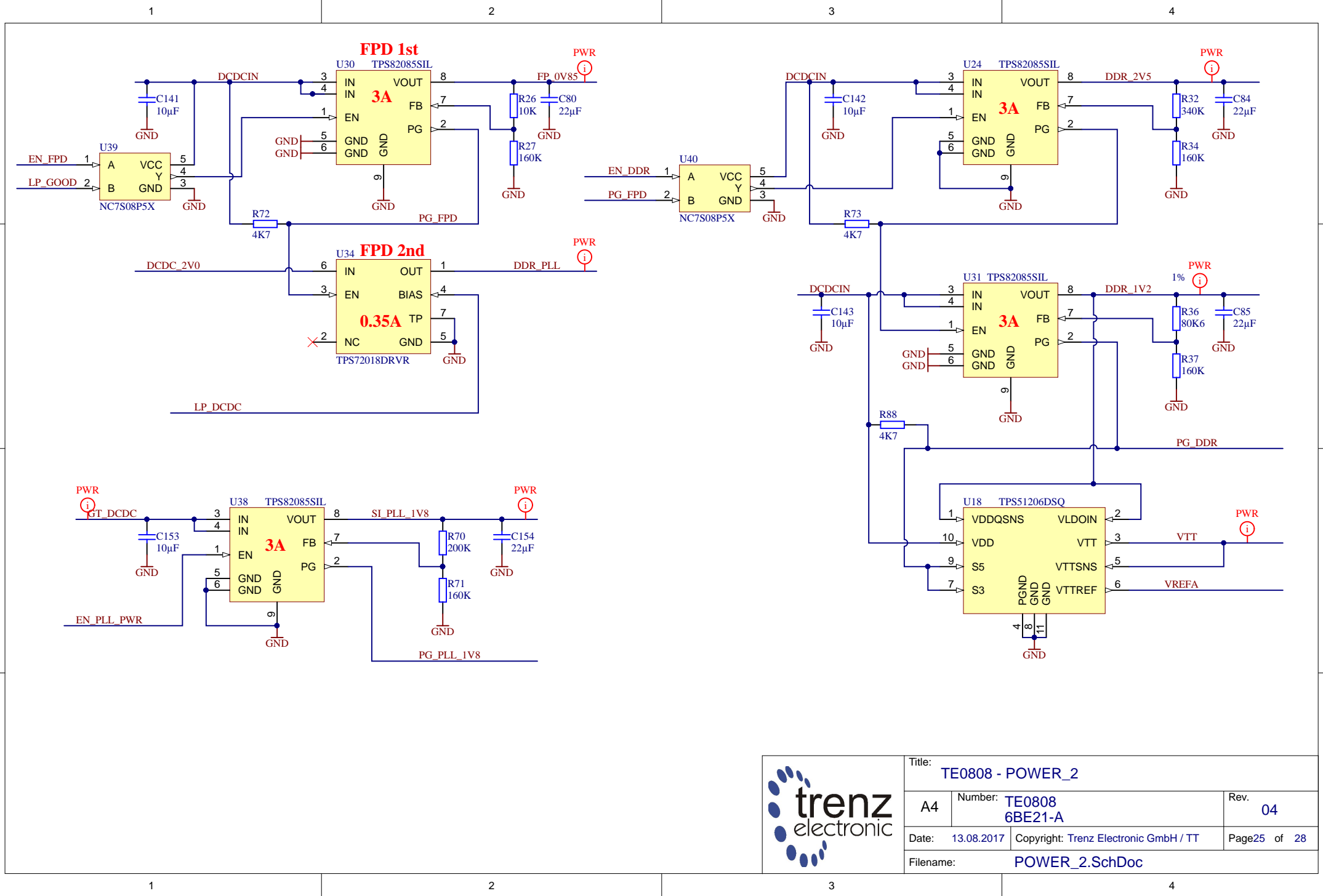
Title: TE0808 - DDR4_TERM		
A4	Number: TE0808 6BE21-A	Rev. 04
Date: 13.08.2017	Copyright: Trenz Electronic GmbH / TT	Page 22 of 28
Filename: DDR4-TERM.SchDoc		




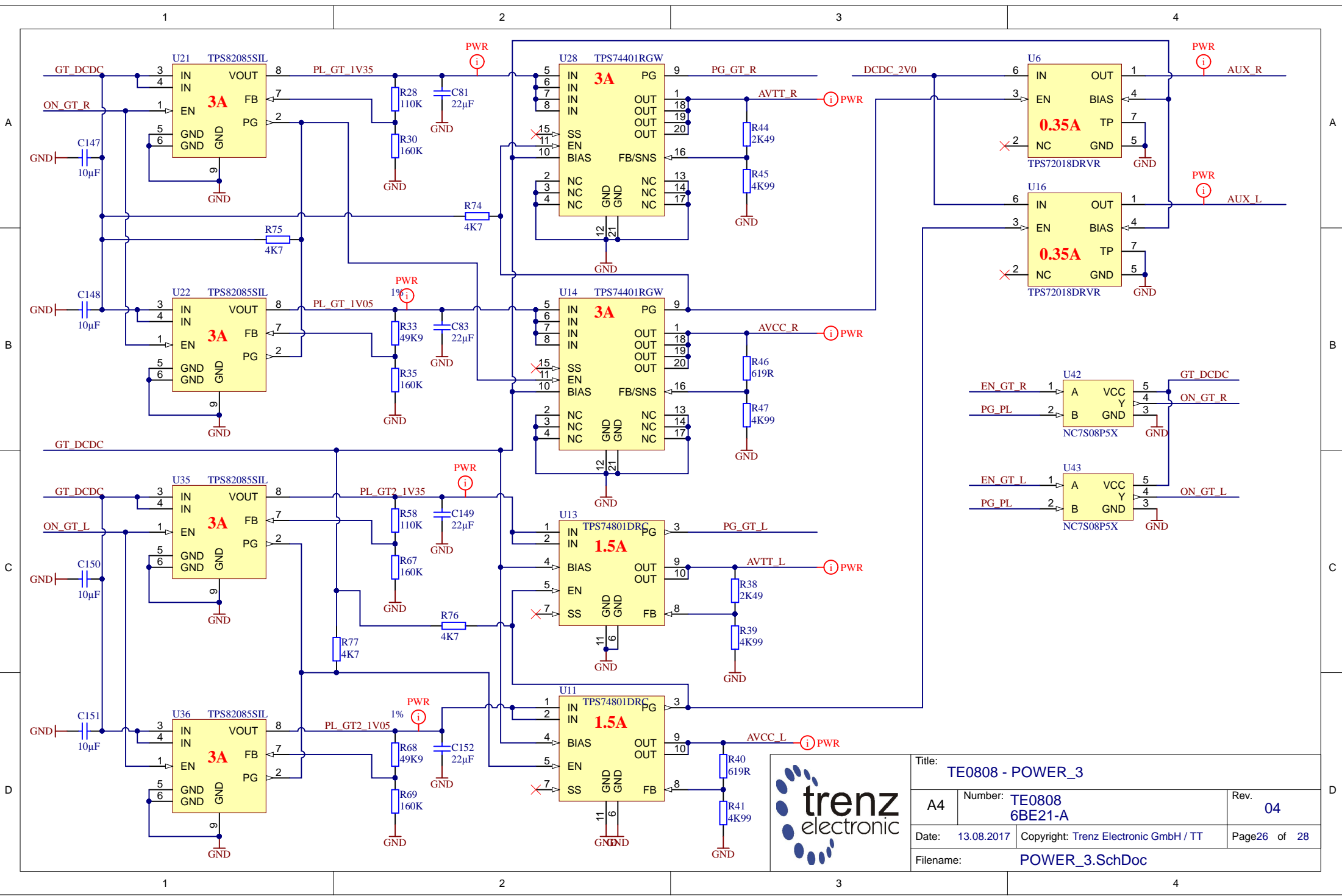
Title: TE0808 - CLOCK		
A4	Number: TE0808 6BE21-A	Rev. 04
Date: 13.08.2017	Copyright: Trenz Electronic GmbH / TT	Page 23 of 28
Filename: Clock.SchDoc		



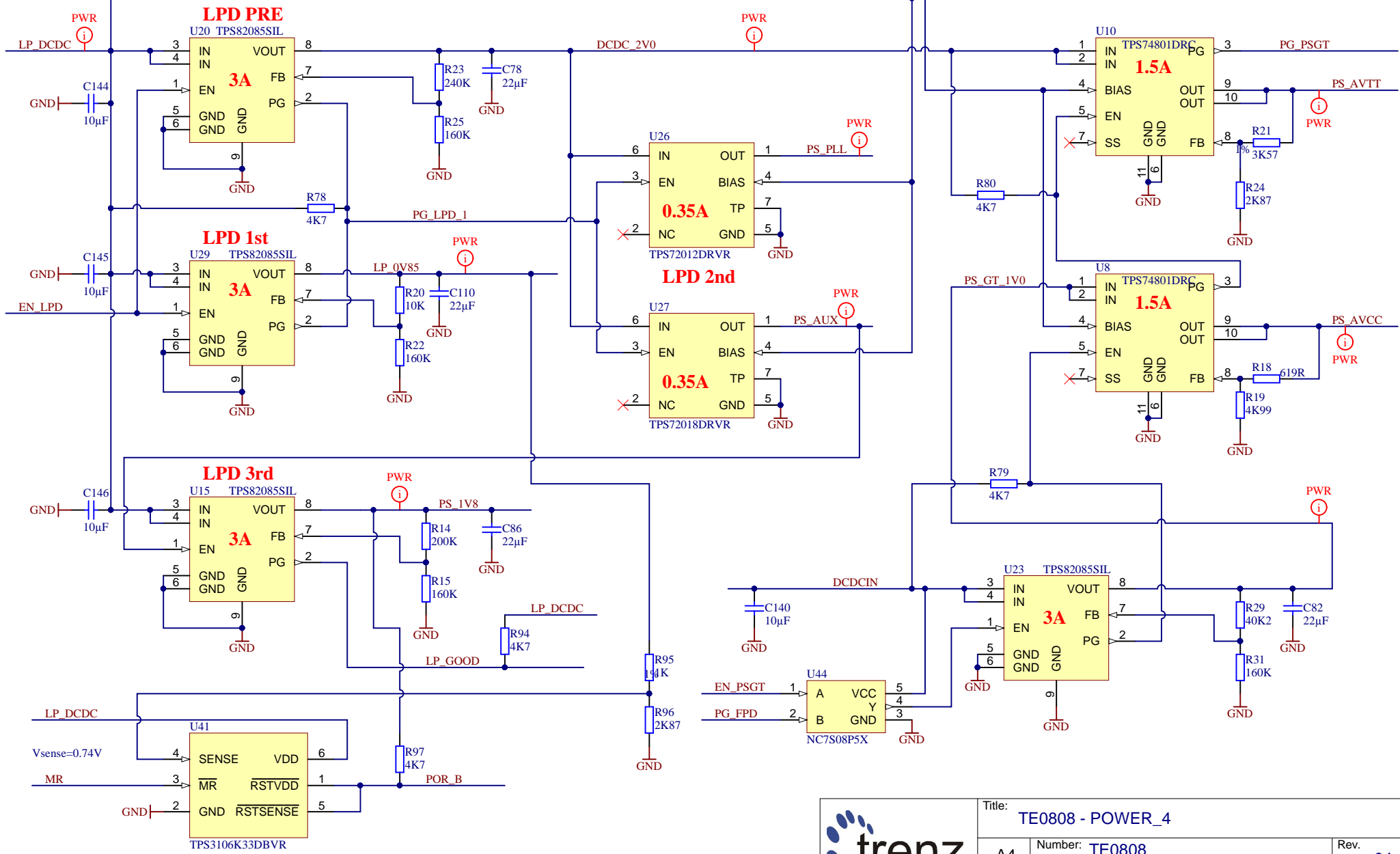
	Title: TE0808 - POWER		
	A4	Number: TE0808 6BE21-A	Rev. 04
	Date: 13.08.2017	Copyright: Trenz Electronic GmbH / TT	Page 24 of 28
	Filename: POWER.SchDoc		




		Title: TE0808 - POWER_2	
		A4	Number: TE0808 6BE21-A
Date: 13.08.2017		Copyright: Trenz Electronic GmbH / TT	
Filename: POWER_2.SchDoc		Page 25 of 28	



Title: TE0808 - POWER_3		
A4	Number: TE0808 6BE21-A	Rev. 04
Date: 13.08.2017	Copyright: Trenz Electronic GmbH / TT	Page 26 of 28
Filename: POWER_3.SchDoc		



			Title: TE0808 - POWER_4	
			A4	Number: TE0808 6BE21-A
Date: 13.08.2017		Copyright: Trenz Electronic GmbH / TT		Page 27 of 28
Filename: POWER_4.SchDoc				

1

2

3

4

CHANGES REV03 to REV04

- 1) added resistors R65,R82,R86,R87 (240R) for each DDR4-chip for supporting DDP DDR4 chips
- 2) full update lib

A

A

B


B

C

C

D

D

		Title: TE0808 - Changes list	
		A4	Number: TE0808 6BE21-A
Date: 13.08.2017		Copyright: Trenz Electronic GmbH	
Filename: Revision_Changes.SchDoc		Page28 of 28	

1

2

3

4