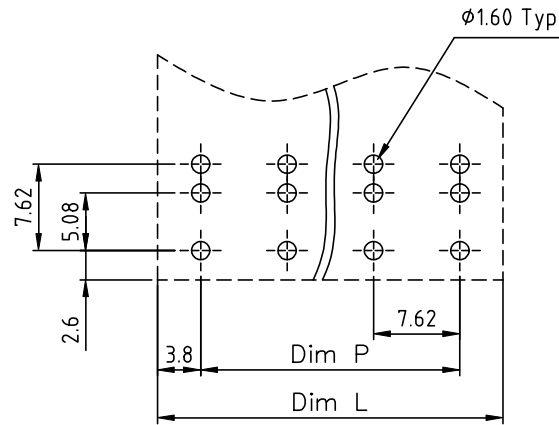
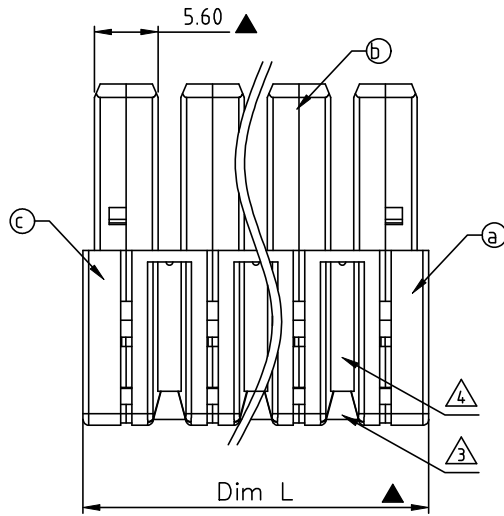
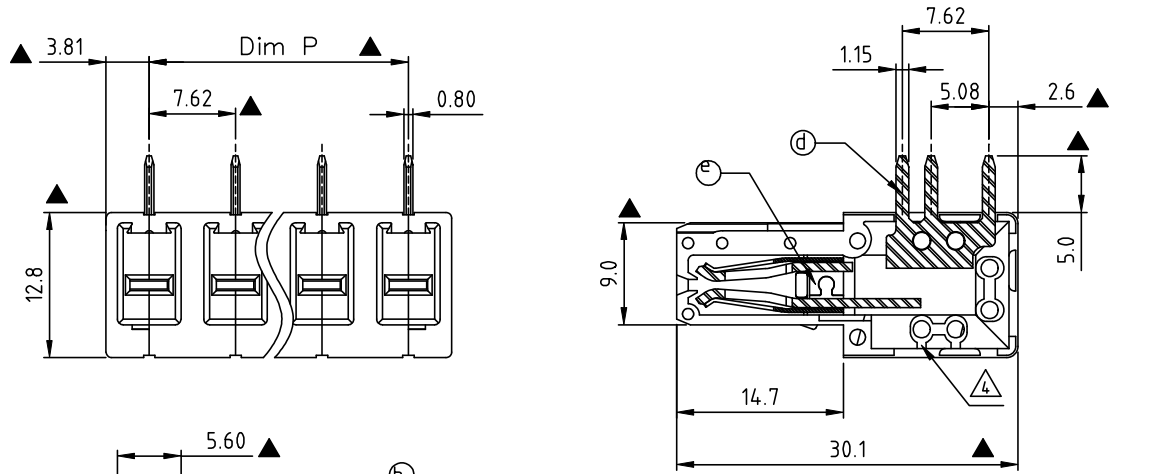


RoHS Compliant



PCB LAYOUT

N=NUMBER OF POLES

DIM	TOL				
	2P--5P	6P--8P	9P--12P	13P--16P	
Dim L	N×7.62	±0.20	±0.30	±0.35	±0.40
Dim P	(N-1)×7.62	±0.20	±0.30	±0.35	±0.40

REV	SIGN	DATE	DESCRIPTION	APPROVER
C	△	09/26`13	add the safety certification icon	Chen Bo
C	△	09/26`13	change the electrical specification	Chen Bo
D	△	12/14`17	change the structure	Chen Bo
E	△	11/08-18	change the structure	Chen Bo

THIS IS CAD DRAWING, DO NOT REVISE MANUALLY!!!

Material:

- Item ① Left Cover :Thermoplastic (UL94 - V0)
- Item ② Middle Body :Thermoplastic (UL94 - V0)
- Item ③ Right Cover :Thermoplastic (UL94 - V0)
- Item ④ Contact pin: Copper,Bright Tin plated over Nickel plated
- Item ⑤ Wire guard:Stainless Steel (ET 7.62)

Electrical: cULus

- △ Voltage rating: 300V
- Current rating: 41A
- Withstanding Voltage:1.6 KV
- Operating temperature:-40°C to +115°C
- Wave soldering temperature:260°C±5°C/5 Sec
- △ Safety approval: cULus
- Critical dimension: ▲

KSxx01x1xxxxG

No. OF POLES
02: 2 POLES
:
16: 16 POLES

COLOR

- 0 Black (RAL9005)
- 2 Red (RAL3001/D)
- 3 Orange(RAL2011/P)
- 4 Yellow(RAL1018/A)
- 5 Green(RAL6018/T)
- 6 Blue (RAL5015/A)
- 8 Grey(RAL7035/D)
- 9 White(RAL1102)
- C Green(RAL6018/U)

G RoHS compliant (lead<4%) In copper Alloy
0000: "@ " Logo (Standard)
000A: "ANYTEK" Mark
Any special item by customer request. please contact sales department.

Amphenol
ANYTEK

CUSTOMER COPY

ALL RIGHTS RESERVED. REPRODUCTION OR ISSUE TO THIRD PARTIES IN ANY FORM WHATSOEVER IS NOT PERMITTED WITHOUT WRITTEN AUTHORITY FROM THE PROPRIETOR. PROPERTY OF ANYTEK TECHNOLOGY CO., LTD

TITLE				KS 7.62 Series 2P-16P Without Flange Right angle (Down)			
PART NO.				KSxx01x1xxxxG		DWG NO. 8KS0003	
APPROVED	CHECKED	DESIGNED	DRAWN	CUST NO.		Tolerance	
		Chen Bo 11/08-18	Chen Bo 08/16`12			UNIT: mm	
						SHEET: 01/01	
						X.X ±0.30	
						X.XX ±0.10	
						X° ±1°	