



- 10/100/1000 Gigabit Base-T for Ethernet Applications
- Transmit open circuit inductance (OCL): 350µH (MIN @ 100KHz, 0.1Vrms with 8mA DC Bias)
- Meets IEEE 802.3 specification
- Standard Operating Temp: 0°C to +70°C
- RJ45 jack cavity conforms to FCC rules and regulations Part 68, SUB Part F



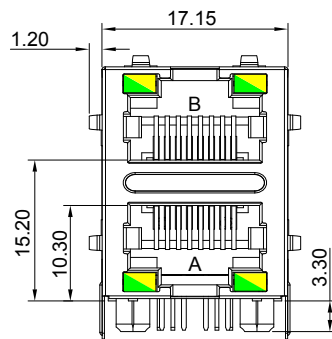
| Electrical Specifications @ 25°C | | | | |
|---|----------------------|-------------------------|----------|----------|
| OCL(µH Min) @ 100KHz, 0.1V With 8mA DC Bias | Turns Ratio (±3%) | Return Loss (dB Min) | | |
| 350 | | 1-30MHz | 30-60MHz | 60-80MHz |
| | 1CT:1 | -18 | -13.5 | -12 |

| Electrical Specifications @ 25°C | | | | |
|----------------------------------|------------------------|----------------|-----------------|----------|
| Insertion Loss (dB Max) | Cross Talk (dB Min) | DCR (Ω) Max | CMR (dB Min) | HiPot |
| 1-100 MHz | 1-100MHz | | 1-100MHz | Vrms Min |
| -1.0 | -25 | 1.2 | -30 | 1500 |

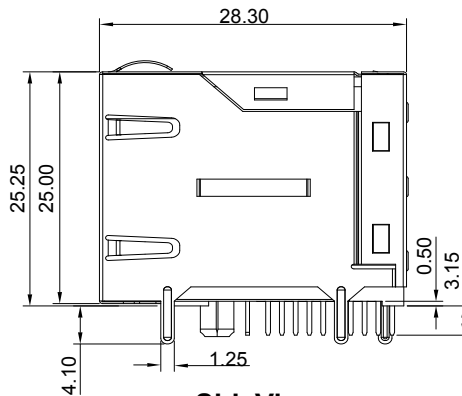
*All specifications subject to change without notice.

MECHANICAL

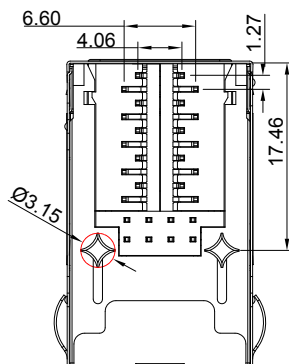
Dimensions: mm



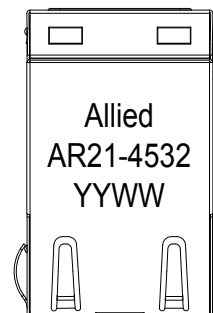
Front View



SideView



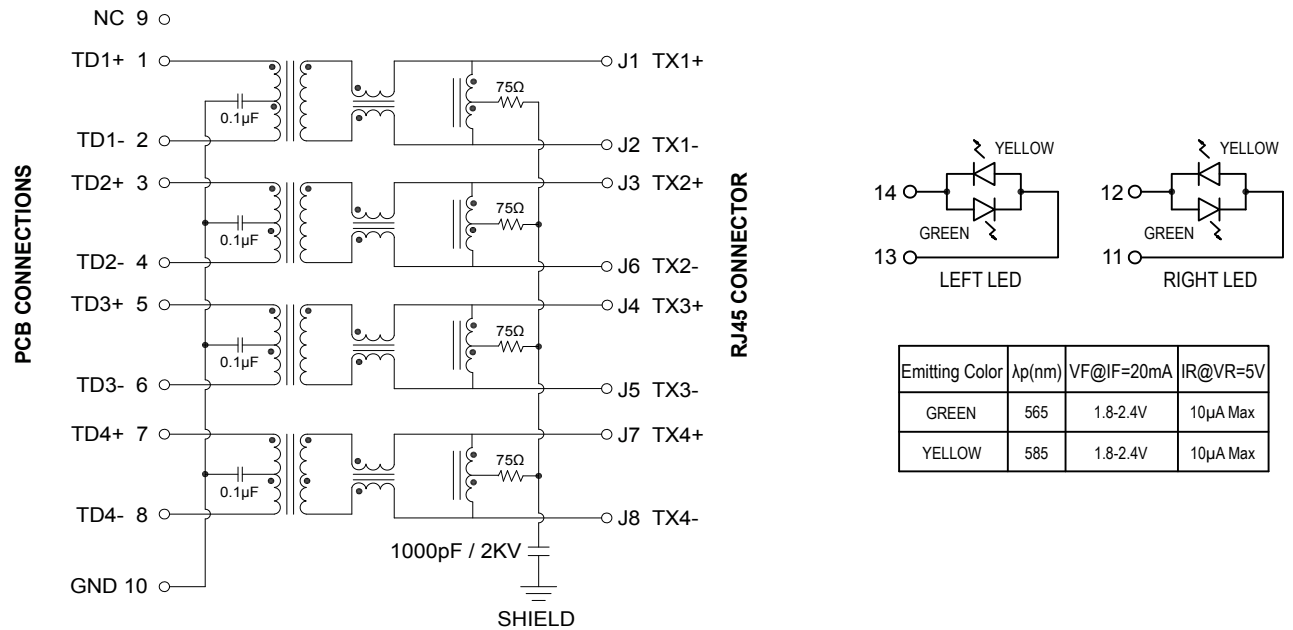
BottomView



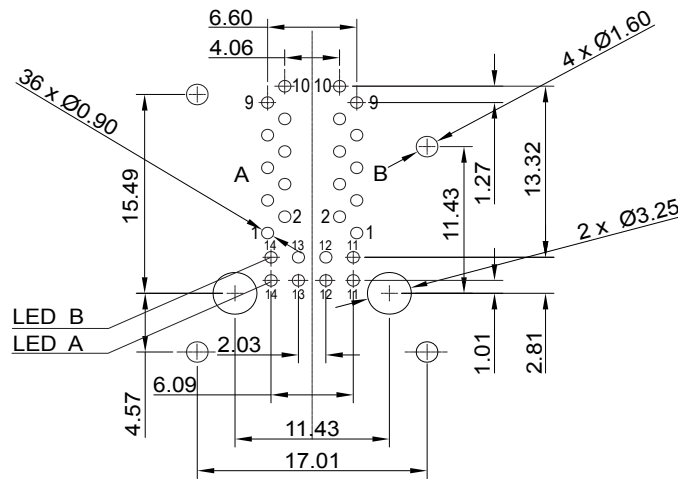
Top View



SCHEMATICS



PCB LAYOUT



NOTES

- Connector Materials:
 Housing Material: Thermoplastic PBT+30%G. F UL94V-0
 Contact Material: Phosphor Bronze C5210R-EH Thickness 0.35mm
 Pins: Brass C2680R-H Thickness 0.35mm
 Shield: Copper Alloy Brass H65Y Thickness 0.20mm
 Shield Plating: Nickel
 Contact Plating: Gold 6µ" min in contact area
- Wave Solder Tip Temperature: 265°C Max, 5 Sec Max