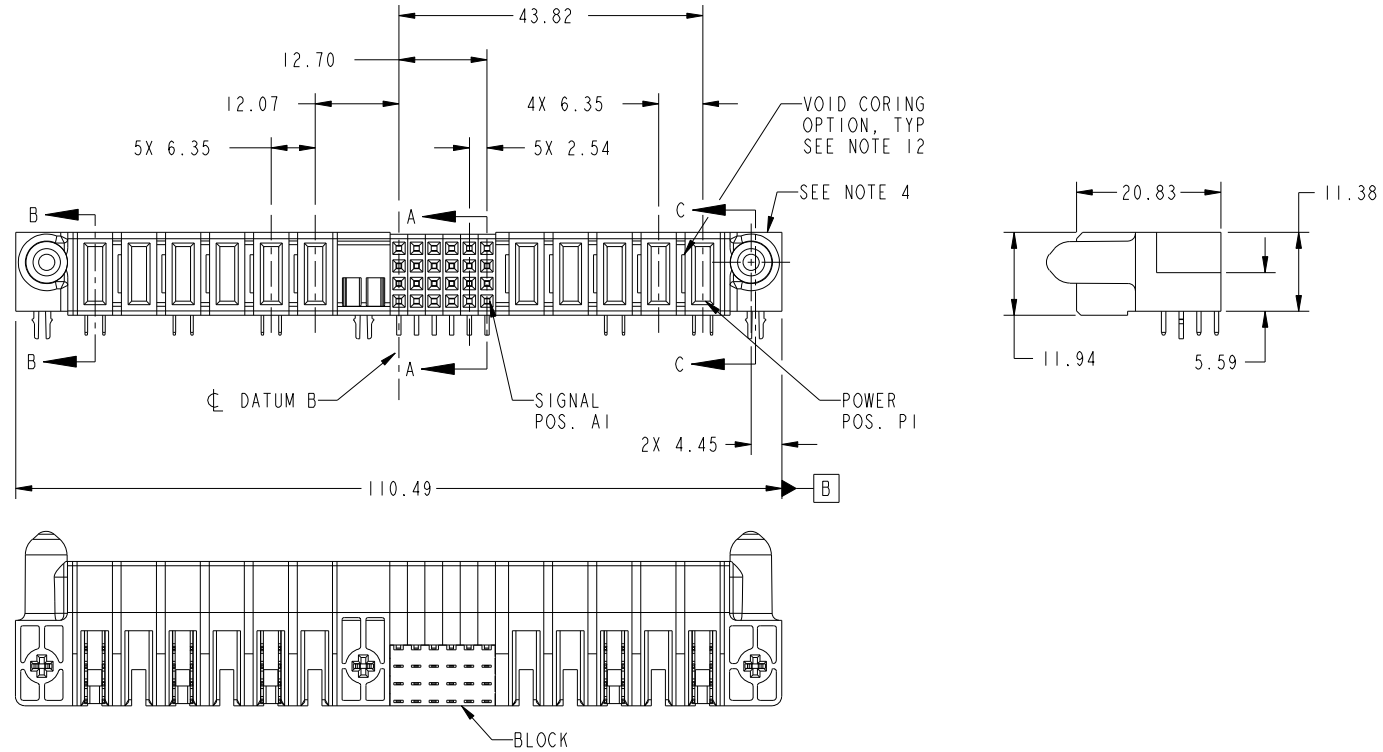
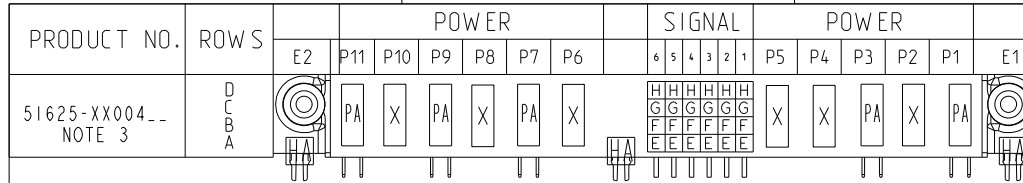


Tous droits strictement reserves. Reproduction ou communication a des tiers interdite sous quelque forme que ce soit sans autorisation écrite du propriétaire. Propriete de c FCI. Droits de reproduction FCI.



All rights strictly reserved. Reproduction or issue to third parties in any form whatever is not permitted without written authority from the proprietor. Property of FCI. Copyright FCI.



CODE	DIM "M" MATING LENGTH	CONTACT TYPE
PA	[1.07]	POWER
H	[N/A]	SIGNAL
G	[N/A]	SIGNAL
F	[N/A]	SIGNAL
E	[N/A]	SIGNAL
HA	[N/A]	HOLD-DOWN
X	OMITTED	

mat'l code				SEE NOTE 2		tolerances unless otherwise specified		CUSTOMER	
ltr	ecn no.	dr	date	linear	0.X ± 0.5	COPY		FCI	
A	DG08-0313	W D	11/10/08	angles	0.XX ± 0.25	projection	www.fciconnect.com		title
					0.XXX ± 0.1	0° ± 2°	5P + 24S + 1M + 6P		R/A SOLDER RECEPTACLE
				dr	Warren Du	08/28/08	product family		PwrBlade
				enr	Warren Du	08/28/08	size		213
				chr	Gary Hsieh	08/28/08	dwg no		sheet
				appd	Joseph Hsia	08/28/08	A		1 of 4
sheet index	revision sheet	A	A	A	A	A	scale		1:1
		1	2	3	4		cage code		22526

CUSTOMER		FCI	
COPY		www.fciconnect.com	
projection		title	
MIM		5P + 24S + 1M + 6P	
scale		R/A SOLDER RECEPTACLE	
1:1		product family	
		PwrBlade	
		size	
		dwg no	
		A	
		51625-XX004	
		code	
		213	
		sheet	
		1 of 4	
		cage code	
		22526	

Pro/E

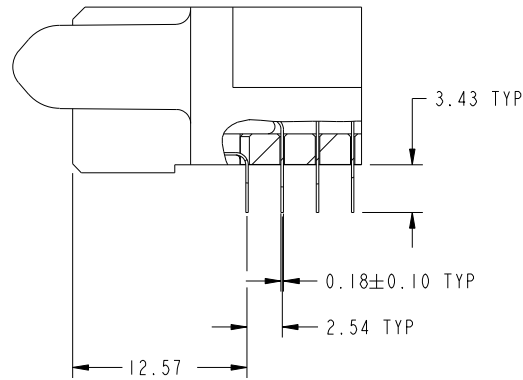
cage code 22526

Tous droits strictement reserves. Reproduction ou communication a des tiers interdite sous quelque forme que ce soit sans autorisation ecrite du proprietaire. Propriete de c FCI. Droits de reproduction FCI.

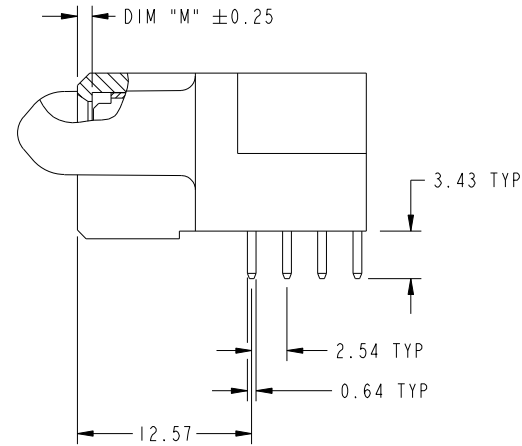


All rights strictly reserved. Reproduction or issue to third parties in any form whatever is not permitted without written authority from the proprietor. Property of FCI. Copyright FCI.

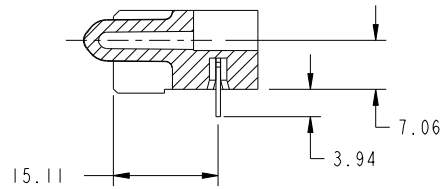
PRODUCT NUMBER
51625-XX004--
NOTE 3



SECTION A-A
SCALE 2:1



BROKEN-OUT SECTION B-B
SCALE 2:1



SECTION C-C

mat'l code		SEE NOTE 2		tolerances unless otherwise specified		CUSTOMER		 www.fciconnect.com	
ltr	ecn no.	dr	date	linear	0.X ± 0.5	COPY		title	
A					0.XX ± 0.25	projection		5P + 24S + 1M + 6P R/A SOLDER RECEPTACLE	
				angles	0.XXX ± 0.1			product family	
				dr	0 ± 2°			PwrBlade	
				enr	Warren Du 08/28/08	scale		code	
				chr	Warren Du 08/28/08	1:1		213	
				appd	Gary Hsieh 08/28/08	size		sheet	
					Joseph Hsia 08/28/08	A		2 of 4	
sheet index	revision sheet								

cage code 22526

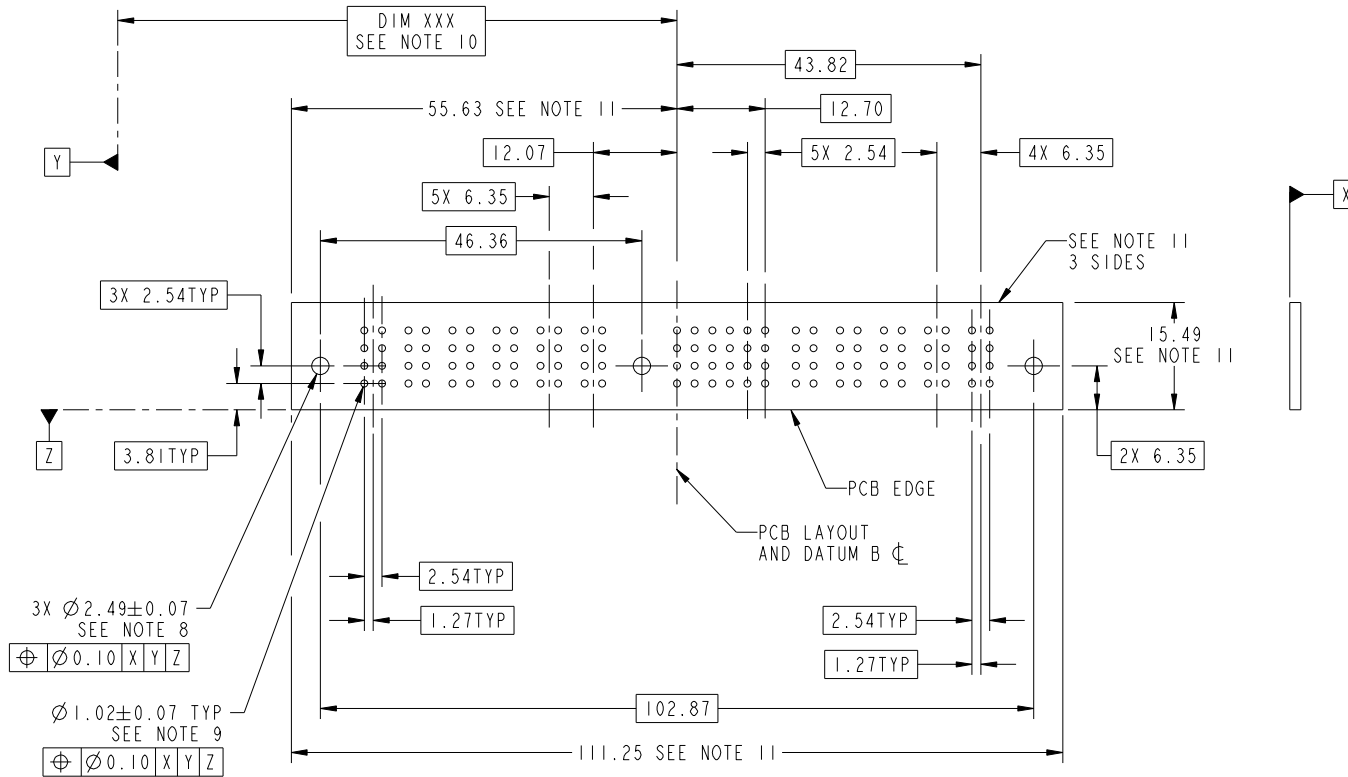
Pro/E

Tous droits strictement reserves. Reproduction ou communication a des tiers interdite sous quelque forme que ce soit sans autorisation ecrite du proprietaire. Propriete de c FCI. Droits de reproduction FCI.

All rights strictly reserved. Reproduction or issue to third parties in any form whatever is not permitted without written authority from the proprietor. Property of FCI. Copyright FCI.



PRODUCT NUMBER
51625-XX004__
NOTE 3



RECOMMENDED PCB LAYOUT

mat'l code		SEE NOTE		tolerances unless otherwise specified		CUSTOMER		FCI	
ltr	ecn no.	dr	date	linear	0.X ±0.5	COPY		www.fciconnect.com	
A					0.XX ±0.25	projection		title	
				angles	0.XXX ±0.1			5P + 24S + 1M + 6P R/A SOLDER RECEPTACLE	
				dr	0 ±2°			product family PwrBlade code	
				enr	Warren Du 08/28/08	scale		size	
				chr	Warren Du 08/28/08	1:1		dwg no	
				appd	Gary Hsieh 08/28/08	A		51625-XX004	
					Joseph Hsia 08/28/08			sheet	
sheet index	revision sheet							3 of 4	

cage code 22526

Pro/E

Tous droits strictement reserves. Reproduction ou communication a des tiers interdite sous quelque forme que ce soit sans autorisation écrite du propriétaire. Propriete de c FCI. Droits de reproduction FCI.



All rights strictly reserved. Reproduction or issue to third parties in any form whatever is not permitted without written authority from the proprietor. Property of FCI. Copyright FCI.

PRODUCT NUMBER
51625-XX004--
NOTE 3

NOTES:

1. DIMENSIONS AND TOLERANCES ARE IN ACCORDANCE WITH ASME Y14.5M, 1994 UNLESS OTHERWISE SPECIFIED.

CONNECTOR NOTES:

- 2. HOUSING & BLOCK MATERIAL: UL 94 V-0 GLASS FILLED HIGH-TEMP THERMOPLASTIC
POWER CONTACT MATERIAL: COPPER ALLOY
SIGNAL PIN MATERIAL: COPPER ALLOY
 - 3. PLATING:
51625-XX004, 51625-XX004LF PLATING SPEC. WAS SHOWN IN THE PRINT OF 10064183.
 - 4. MANUFACTURER'S NAME, P/N, AND DATE CODE TO APPEAR ON THIS SURFACE.
 - 5. PRODUCT SPECIFICATION GS-12-149.
APPLICATION SPECIFICATION BUS-20-067.
 - 6. PACKAGED IN TRAYS.
- PCB NOTES:
- 7. ALL HOLE DIAMETERS ARE FINISHED HOLE SIZE.

- 8. MOUNTING HOLES, WHERE APPLICABLE, ARE UNPLATED.
- 9. $\varnothing 1.151 \pm 0.025$ DRILLED HOLES PLATED WITH
0.008 MIN SnPb OR Sn OVER 0.03
TO 0.08 Cu PLATING TO ACHIEVE
 $\varnothing 1.02 \pm 0.07$ HOLE.
- 10. "DIM XXX" TO BE DETERMINED BY THE CUSTOMER.
- 11. CONNECTOR KEEP-OUT ZONE.
- 12. THE VOID CORING IN BETWEEN POWER MODULES, SIGNAL MODULES AND END MODULES ARE OPTIONAL AND THE SHAPE MAY BE DIFFERENT FOR OPTIMIZE THE MOLDING PROCESS. THE VOID CORING WILL NOT EFFECT TO PRODUCT FUNCTION.

mat'l code				SEE NOTE 2		tolerances unless otherwise specified		CUSTOMER		FCI www.fciconnect.com	
ltr	ecn no.	dr	date	linear	0.X ± 0.5		COPY		projection	title	
A					0.XX ± 0.25		MIM			5P + 24S + 1M + 6P R/A SOLDER RECEPTACLE	
					0.XXX ± 0.1		← MIM →			product family PwrBlade code	
				angles	0° ± 2°		scale		size		
				dr	Warren Du	08/28/08	1:1		dwg no		
				enrg	Warren Du	08/28/08	A		51625-XX004		
				chr	Gary Hsieh	08/28/08			sheet		
				appd	Joseph Hsia	08/28/08			4 of 4		
sheet index	revision sheet										

cage code 22526

Pro/E