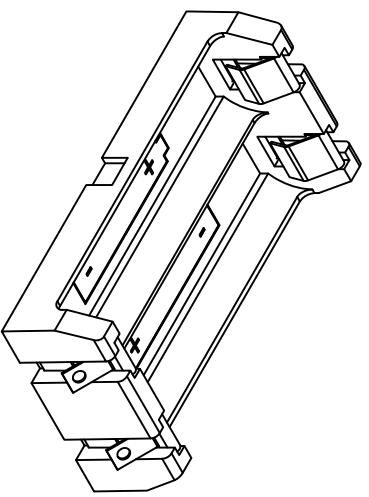
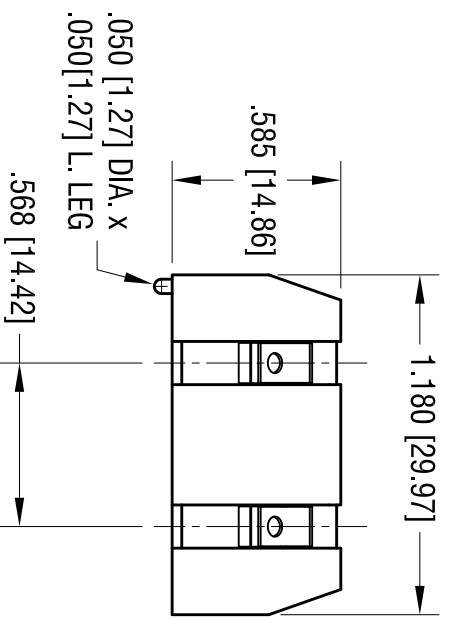
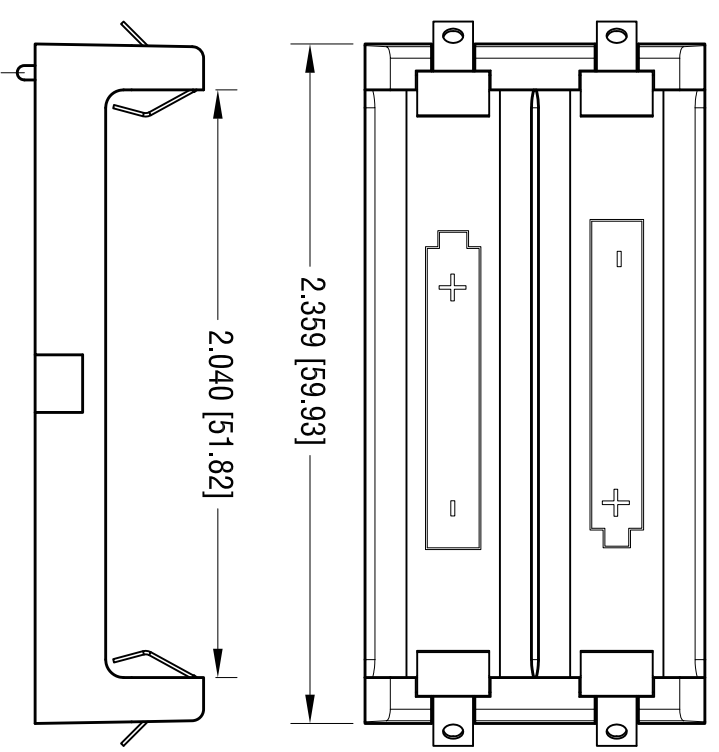


DATE	DESCRIPTION	REV.
6.19.19	CHANGE AS PER ECN 19-058 BASE MAT'L WAS NYLON	A



NOTE:
 1. BASE:
 MAT'L: PBT (COLOR BLACK)
 2. CONTACT:
 MAT'L: .012 [0.30] THK STAINLESS STEEL
 FINISH: TIN NICKEL PLATE.

KEYSTONE ELECTRONICS CORP.			
www.kevelco.com • NEW HYDE PARK, NY 11040 • Tel (516) 328-7500			
PART NAME SOLDER LUG BATTERY HOLDER, (2) AA			
MATERIAL AS NOTED			
FINISH AS NOTED		DRN BY NT	DATE 7.11.16
TOLERANCES DECIMAL ± .010 [± 0.25] ANGULAR ± 1°		CODE C	DWG NO. 1114
<small>THIS DOCUMENT IS THE PROPERTY OF KEYSTONE ELECTRONICS CORP. AND SHALL NOT BE REPRODUCED, DISTRIBUTED OR USED AS A BASIS FOR MANUFACTURE WITHOUT PRIOR WRITTEN PERMISSION FROM KEYSTONE ELECTRONICS CORP.</small>		App'D RH	SCALE 1.5X