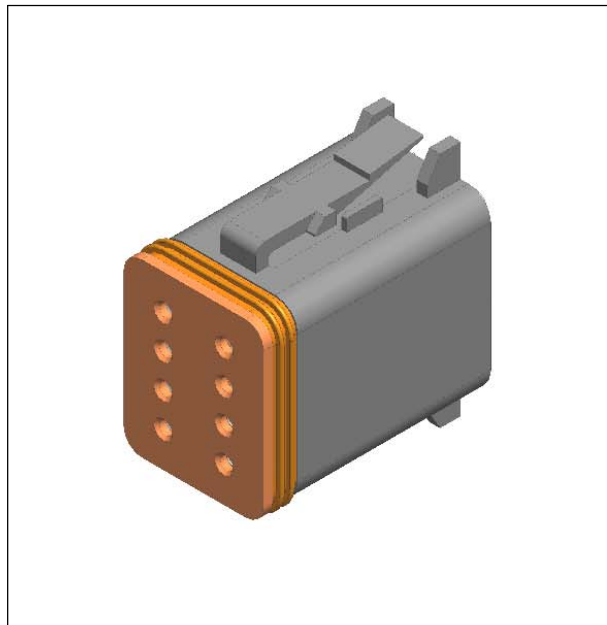


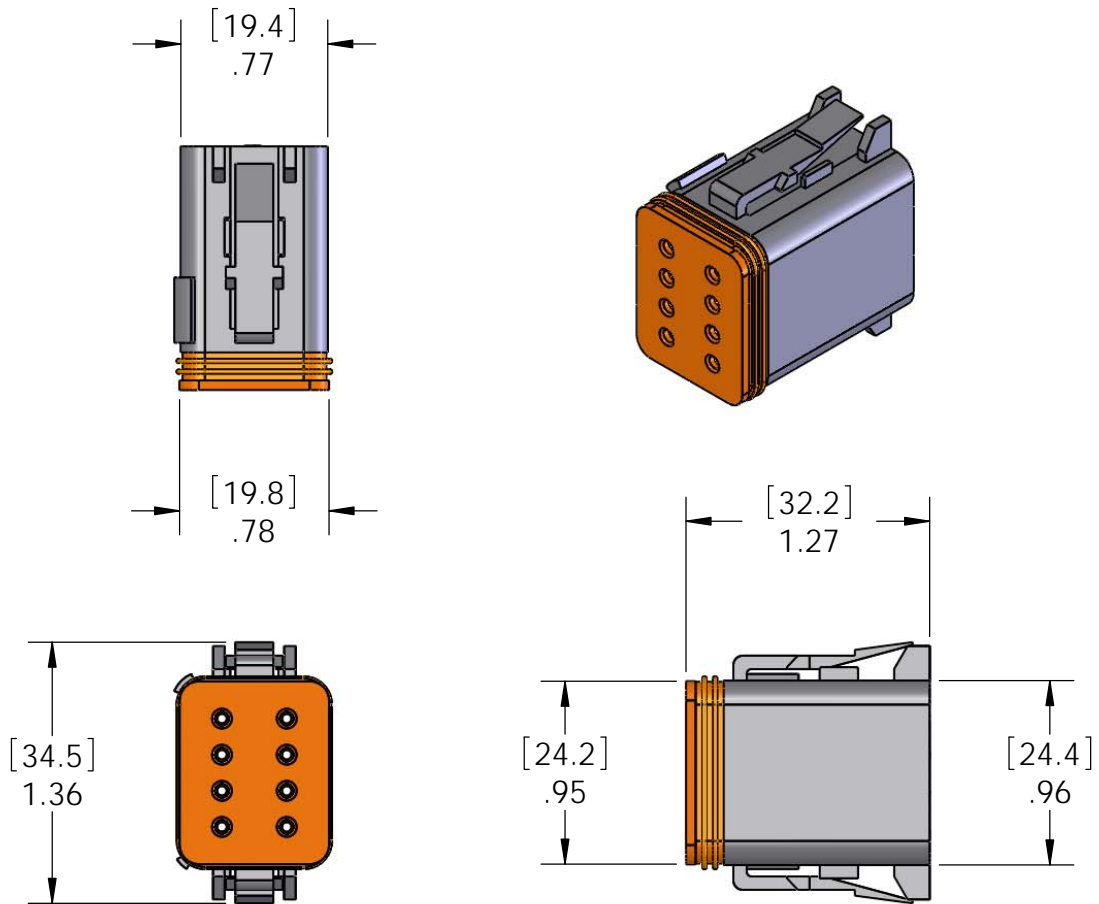
0856 DEUTSCH CONNECTOR KIT



**FOR USE WITH GX AND MX SENSING CONTACTORS
FEATURING INTEGRATED DT08 DEUTSCH CONNECTOR**

GIGAVAC[®]
ADVANCED SWITCHING SOLUTIONS

0856 (ASSEMBLY REQUIRED*)



<u>PART NUMBER</u>	<u>DESCRIPTION</u>
0856-1	CURRENT SENSE
0856-2	CURRENT SENSE WITH AUXILIARY
0856-3	OVER CURRENT
0856-4	OVER CURRENT WITH AUXILIARY
0856-5	LOW VOLTAGE DISCONNECT
0856-6	LOW VOLTAGE DISCONNECT WITH AUXILIARY
0856-7	DELAY ON BREAK
0856-8	DELAY ON BREAK WITH AUXILIARY
0856-9	CAN-BUS
0856-10	CAN-BUS WITH AUXILIARY

MATING CONNECTOR

DEUTSCH CONNECTOR HOUSING P/N: DT06-08SA

SOLID CONTACT SOCKET P/N: 0462-201-16141

WEDGE LOCK P/N: W8S

SEALING PLUG P/N: 114017

REQUIRED CRIMP TOOL P/N: HDT-48-00 (not included)

***CONNECTOR COMPONENTS ONLY - LEADS AND ASSEMBLY REQUIRED**