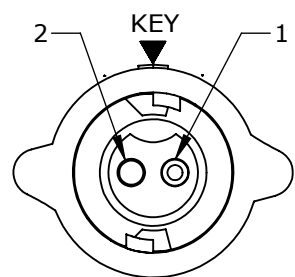


APPROVED BY: DATE: MFG. ENG. QA

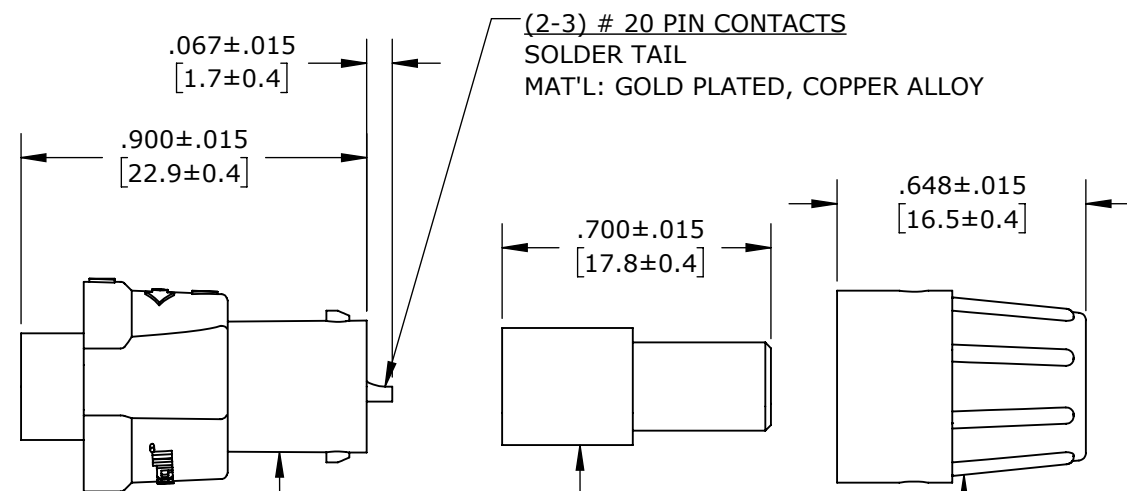
ASS'Y P/N	CONTACT QTY.	CABLE O.D. RANGE
W16282-2PG-P-311	2	0.09 - 0.14 [2.3 - 3.6]
W16282-2PG-P-315	2	0.15 - 0.17 [3.8 - 4.3]
W16282-2PG-P-318	2	0.18 - 0.20 [4.6 - 5.1]
W16282-3PG-P-311	3	0.09 - 0.14 [2.3 - 3.6]
W16282-3PG-P-315	3	0.15 - 0.17 [3.8 - 4.3]
W16282-3PG-P-318	3	0.18 - 0.20 [4.6 - 5.1]
W16282-XPG-P-3XX		

NOTES:

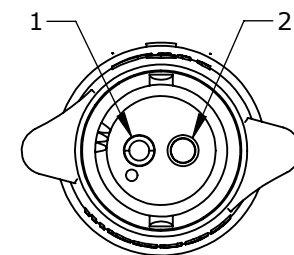
1. ALL PARTS ARE BULK PACKED.
2. REFER TO DRAWING HPMCSTD FOR CONTACT PATTERNS.
3. ALL DIMENSIONS ARE REFERENCE ONLY IN INCHES [mm], WITHIN ±0.015 UNLESS OTHERWISE NOTED.



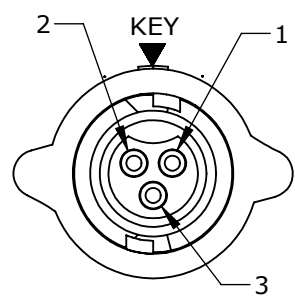
FACE VIEW
W16282-2PG-P-3XX



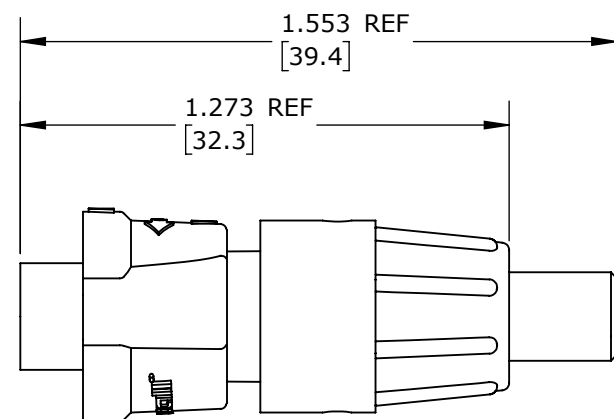
OF CONTACTS — GROMMET SIZE = CABLE O.D. RANGE:
 311 = 0.09 - 0.14 [2.3 - 3.6]
 315 = 0.15 - 0.17 [3.8 - 4.3]
 318 = 0.18 - 0.20 [4.6 - 5.1]



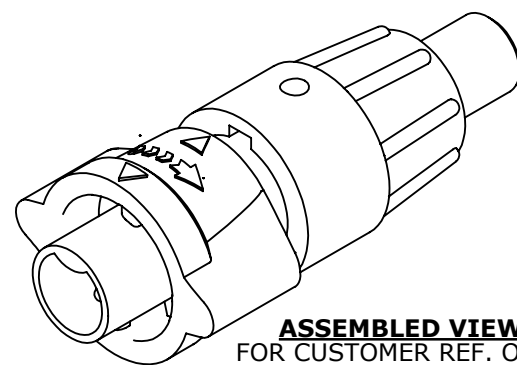
WIRING VIEW
W16282-2PG-P-3XX



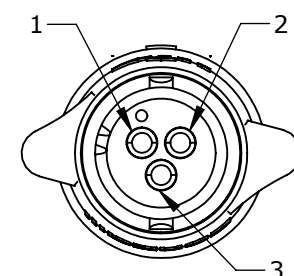
FACE VIEW
W16282-3PG-P-3XX



ASSEMBLED VIEW
FOR CUSTOMER REF. ONLY



ASSEMBLED VIEW
FOR CUSTOMER REF. ONLY
W16282-2PG-P-3XX SHOWN



WIRING VIEW
W16282-3PG-P-3XX

CUSTOMER PRINT

PART NUMBER: W16282-XPG-P-3XX

PRELIMINARY

DIMENSIONS IS BRACKETS [] ARE METRIC

CUSTOMER APPROVAL

THIS DOCUMENT CONTAINS CONFIDENTIAL INFORMATION PROPRIETARY TO CONXALL CORPORATION. ANY REPRODUCTION, DISCLOSURE, OR USE OF THIS DOCUMENT /INFORMATION IS EXPRESSLY PROHIBITED UNLESS AUTHORIZED IN WRITING BY CONXALL CORPORATION.

APPROVED BY: _____
 DATE: _____

RoHS COMPLIANT

0A	JGK	9/05/19	DRAWING CREATED FOR PDR #18004.									
REV.	INIT.	DATE	DESCRIPTION									
	JGK	9/05/19	ALL INFORMATION ILLUSTRATED IS THE PROPERTY OF CONXALL CORPORATION. UNAUTHORIZED DUPLICATION OR DISTRIBUTION OF THIS DOCUMENT IS PROHIBITED.									
			<table border="1"> <tr> <td>ORIG. DRAWN BY:</td> <td>DATE:</td> </tr> <tr> <td>JGK</td> <td>9/05/19</td> </tr> <tr> <td>CHECKED BY:</td> <td></td> </tr> <tr> <td>APPROVED BY:</td> <td></td> </tr> </table>		ORIG. DRAWN BY:	DATE:	JGK	9/05/19	CHECKED BY:		APPROVED BY:	
ORIG. DRAWN BY:	DATE:											
JGK	9/05/19											
CHECKED BY:												
APPROVED BY:												
<small>ALL UNITS ARE IN FEET, INCHES, FRACTION OF INCHES AND DECIMALS. UNLESS OTHERWISE SPECIFIED TOLERANCES: 3 PLACE DECIMALS ±.005 ANGLES ±1° FRACTIONS ±1/16 ▽ - CRITICAL CHARACTERISTIC FLAG PER SPEC. XXXX</small>			<p>601 E. WILDWOOD VILLA PARK, IL 60181</p>									
<table border="1"> <tr> <td>SCALE</td> <td>SIZE</td> <td>SHEET</td> </tr> <tr> <td>NTS</td> <td>B</td> <td>1 OF 1</td> </tr> </table>			SCALE	SIZE	SHEET	NTS	B	1 OF 1	TITLE: CABLE-END ASSEMBLY 2-3 #20 PIN CONTACTS, SOLDER INSTA-CLICK, MICRO-CON-X STANDARD PRODUCT CUSTOMER:			
SCALE	SIZE	SHEET										
NTS	B	1 OF 1										
FILE:	DIRECTORY:	PART NUMBER:	REV									
W16282-XPG-P-3XX	SLW	W16282-XPG-P-3XX	0A									