

DESIGNED AND DIMENSIONED IN INCHES[MILLIMETERS]
ALL DIMENSIONS REFERENCE

DO NOT
SCALE FROM
THIS PRINT

PRFIA-SMPM-J-J-S-3

SERIES
-M0: SMPM
GENDER
-J: JACK
GENDER
-J: JACK
OPTION
-3
ORIENTATION
-S: STRAIGHT

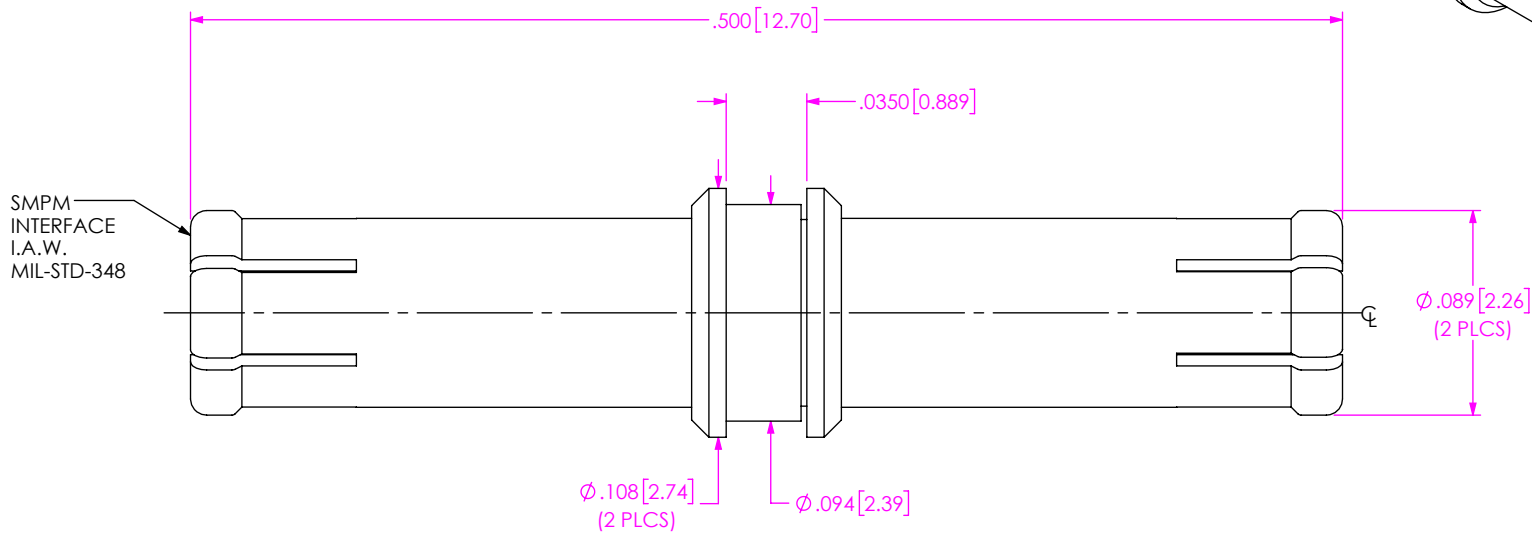
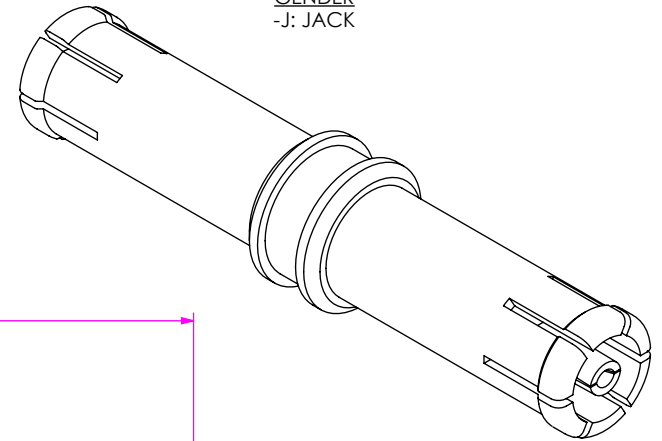


FIG 1
PRFIA-SMPM-J-J-S-3 SHOWN

- NOTES:
1. TRAYS TO BE STANDARD PACKAGING.

<p>PROPRIETARY NOTE</p> <p>THIS DOCUMENT CONTAINS CONFIDENTIAL AND PROPRIETARY INFORMATION AND ALL DESIGN, MANUFACTURING, REPRODUCTION, USE, PATENT RIGHTS AND SALES RIGHTS ARE EXPRESSLY RESERVED BY SAMTEC, INC. THIS DOCUMENT SHALL NOT BE DISCLOSED, IN WHOLE OR PART, TO ANY UNAUTHORIZED PERSON OR ENTITY NOR REPRODUCED, TRANSFERRED OR INCORPORATED IN ANY OTHER PROJECT IN ANY MANNER WITHOUT THE EXPRESS WRITTEN CONSENT OF SAMTEC, INC.</p>		<p>520 PARK EAST BLVD, NEW ALBANY, IN 47150 PHONE: 812-944-6733 FAX: 812-948-5047 e-Mail info@SAMTEC.com code 55322</p>	
<p>DO NOT SCALE DRAWING SHEET SCALE: 12:1</p>		<p>DESCRIPTION: SMPM BULLETS 12.7 JACK ASSEMBLY</p>	
<p>MATERIAL: SHELL CONTACT: COPPER ALLOY INSULATOR: VIRGIN PTFE</p>		<p>DWG. NO. PRFIA-SMPM-J-J-S-3</p>	
<p>c:\enterprise\vauf\DWG\MISC\MKTG\PRFIA-SMPM-J-J-S-3-MKT.SLDDRW</p>		<p>BY: SHERRY W 12/18/2019 SHEET 1 OF 1</p>	