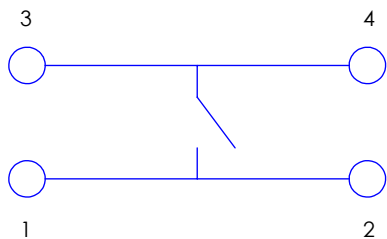
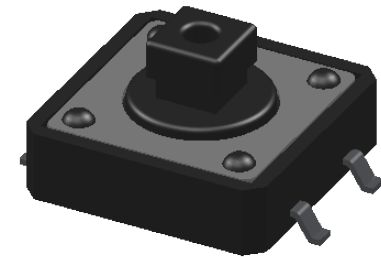
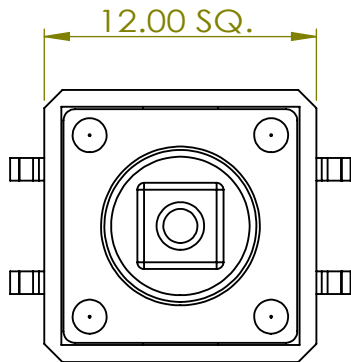
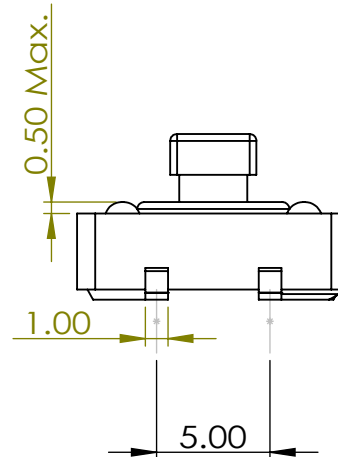
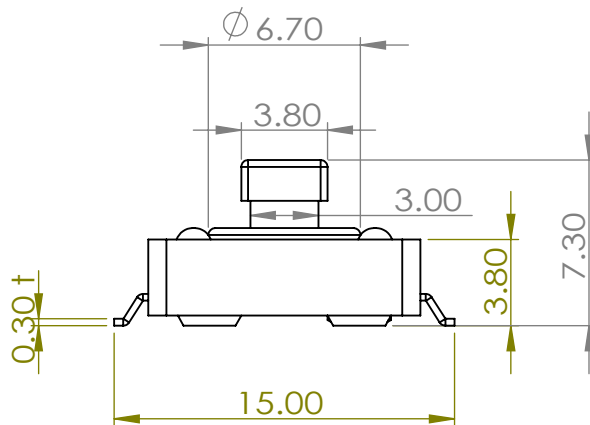


P.C.B. LAYOUT



CIRCUIT DIAGRAM



NOTES:

1. ALL DIMENSIONS IN MM
2. GENERAL TOLERANCE : X.X=±0.3
3. TERM. NOS. FOR REFERENCE ONLY.
4. RATING : 12VDC, 50mA
5. OPERATING FORCE : 160±50 gf
6. TRAVEL : 0.3mm±0.15mm
7. CONTACT RESISTANCE : 100 MILLI OHMS MAX. (INITIAL)
8. MECHANICAL/ELECTRICAL LIFE 100,000 CYCLES MIN.

NAME	SIGNATURE	DATE
DSGD. J.A. KIM		10.01.2018
CHKD. D.H.AHN		10.01.2018
APPD. J.S.LEE		10.01.2018
MAFD.		
Q.A		

DATE 10/01/2018

TITLE DWG. NO.  
THIS DRAWING CONTAINS INFORMATION THAT IS PROPRIET TO JAESANG ELECTRONICS CO.,LTD. AND SHOULD NOT BE USED WITHOUT WRITTEN PERMISSION.



Tact Switch Specialized Manufacturing Company  
www.jsswitch.co.kr

MODEL JST-1103ST

A4