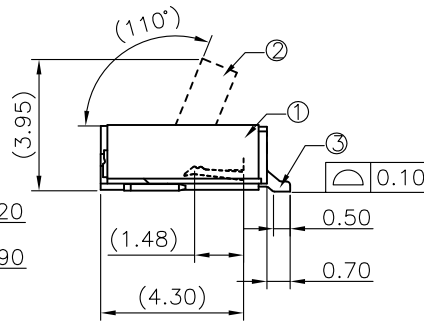
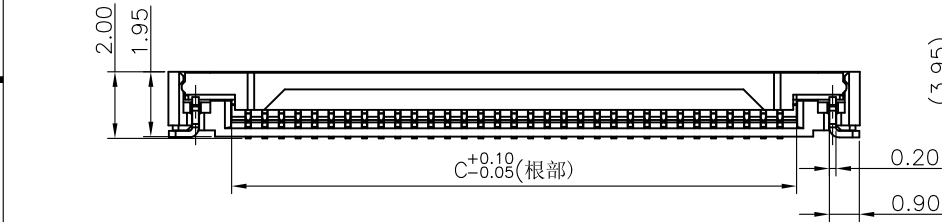
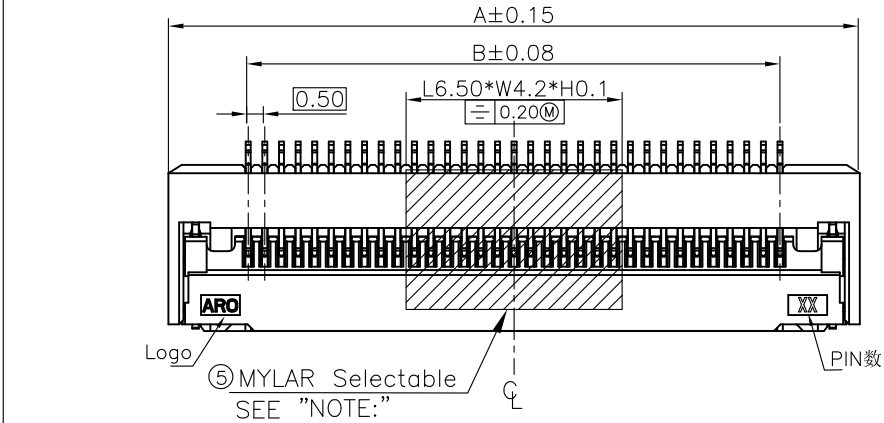


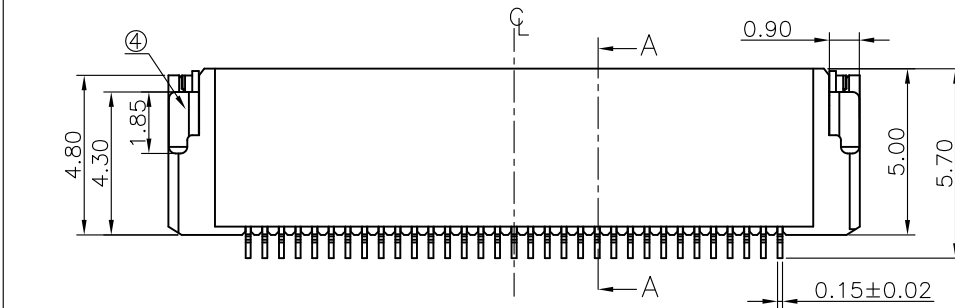
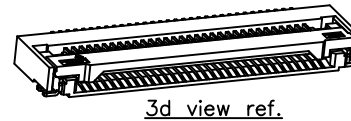
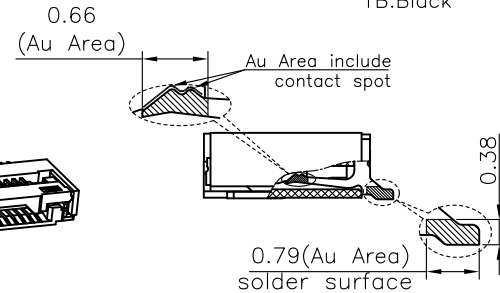
This document is the property of Amphenol Aorora Corporation and is delivered on the express condition that it is not to be disclosed, reproduced or used, in whole or in part, for manufacture or sale by anyone other than Amphenol Aorora Corporation without its prior consent, & that no right is granted to disclose or to use any information in this document.

**Halogen free**



NOTE:  
1. ALL MATERIAL MUST BE COMPLY WITH GGP-001/OR/RoHS.  
2. PART NO. LEGEND:  
F305-1\*7H1-210\*\*-E\*00

1: WITH MYLAR  
2: WITHOUT MYLAR  
NO. OF POSITIONS  
1A: Natural  
1B: Black



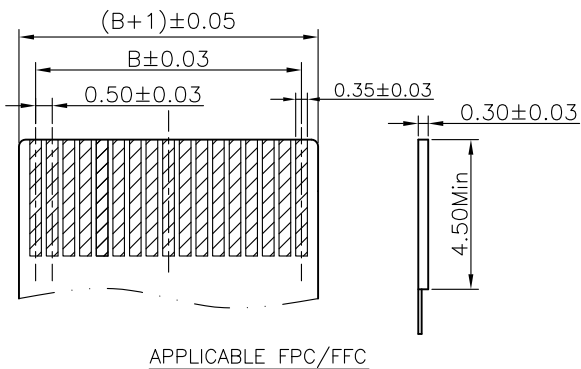
REV.	ECR/ECN No.	DESCRIPTION	DRAWN/DATE	CHECKED/DATE	APPROVED/DATE
A	/	New version	May 2017-08-01	Rain 2017-08-01	Hongkui.Liu 2017-08-01
B	/	Add new PIN number	May 2017-10-26	Rain 2017-10-26	Hongkui.Liu 2017-10-26

NO.	COMPONENTS	MATERIALS	FINISH/COLOR SPECIFICATION	QTY
1	HOUSING	LCP,UL94V-0	Natural or Black	1
2	ACTUATOR	PA9T,UL94V-0	Black	1
3	TERMINAL	PHOSPHOR BRONZE T=0.15mm	UNDER PLATING:1~3μm Ni SURFACE PLATING: Contact Area:0.075~0.125μm Min. Au	N
4	STATOR	BRASS,C2680-H T=0.20mm	UNDER PLATING:1~3μm Ni SURFACE PLATING:2~5μm Sn	2
5	MYLAR	T=0.10mm THERMOSTABLE	yellow	1

UNLESS OTHERWISE SPECIFIED TOLERANCES				ANGLE OF PROJECTION		Amphenol AORORA			
X.	±0.50	X. *	± 1°			Amphenol Aorora Technology (Huizhou) Co.,Ltd TITLE: FFC/FPC P0.50 H2.0 front side filp_"L" type fixed plate			
XX	±0.30	XX *	± 0.5°						
XXX	±0.20	XXX *	± 0.5°	DOC TYP Customer Drw DRAWN DATE May 2017-10-26 DESIGN DATE May 2017-10-26 CHECKED DATE Rain 2017-10-26 APPROVED DATE Hongkui.Liu 2017-10-26		SIZE	DWG NO.		
LINEAR DIMS	ANGLES DIMS					A4	A-S0462	REV.	B
P/N:F305-1*7H1-210**-E*00		MATERIAL SEE NOTES		FINISHED SEE NOTES		SCALE	1:1	UNIT : mm	SHEET 1 OF 2

This document is the property of Amphenol Aorora Corporation and is delivered on the express condition that it is not to be disclosed, reproduced or used, in whole or in part, for manufacture or sale by anyone other than Amphenol Aorora Corporation without its prior consent, & that no right is granted to disclose or to use any information in this document.

1. FFC PATTERN DIMENSION

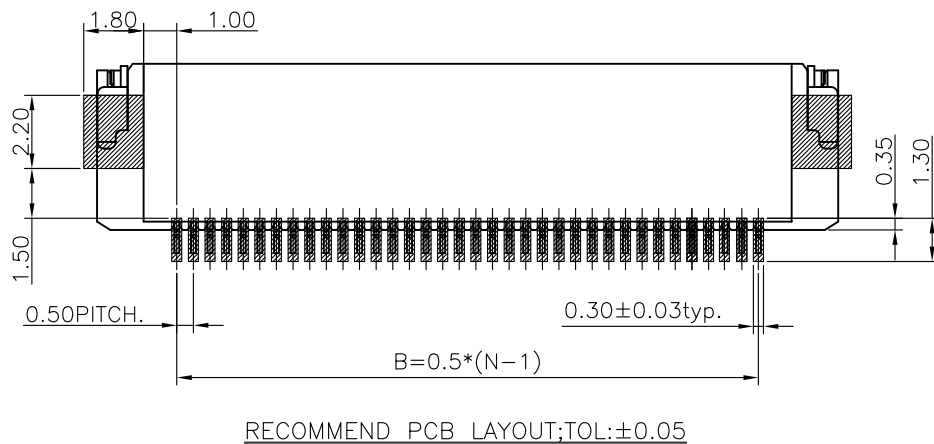


Halogen free

① DIMENSION LIST:

PIN No.of	A	B	C	PIN No.of	A	B	C
04	6.30	1.50	2.50	33	20.80	16.00	17.00
05	6.80	2.00	3.00	34	21.30	16.50	17.50
06	7.30	2.50	3.50	35	21.80	17.00	18.00
07	7.80	3.00	4.00	36	22.30	17.50	18.50
08	8.30	3.50	4.50	37	22.80	18.00	19.00
09	8.80	4.00	5.00	38	23.30	18.50	19.50
10	9.30	4.50	5.50	39	23.80	19.00	20.00
11	9.80	5.00	6.00	40	24.30	19.50	20.50
12	10.30	5.50	6.50	41	24.80	20.00	21.00
13	10.80	6.00	7.00	42	25.30	20.50	21.50
14	11.30	6.50	7.50	43	25.80	21.00	22.00
15	11.80	7.00	8.00	44	26.30	21.50	22.50
16	12.30	7.50	8.50	45	26.80	22.00	23.00
17	12.80	8.00	9.00	46	27.30	22.50	23.50
18	13.30	8.50	9.50	47	27.80	23.00	24.00
19	13.80	9.00	10.00	48	28.30	23.50	24.50
20	14.30	9.50	10.50	49	28.80	24.00	25.00
21	14.80	10.00	11.00	50	29.30	24.50	25.50
22	15.30	10.50	11.50	51	29.80	25.00	26.00
23	15.80	11.00	12.00	52	30.30	25.50	26.50
24	16.30	11.50	12.50	53	30.80	26.00	27.00
25	16.80	12.00	13.00	54	31.30	26.50	27.50
26	17.30	12.50	13.50	55	31.80	27.00	28.00
27	17.80	13.00	14.00	56	32.30	27.50	28.50
28	18.30	13.50	14.50	57	32.80	28.00	29.00
29	18.80	14.00	15.00	58	33.30	28.50	29.50
30	19.30	14.50	15.50	59	33.80	29.00	30.00
31	19.80	15.00	16.00	60	34.30	29.50	30.50
32	20.30	15.50	16.50				

2. P.C.B LAYOUT, TOL:±0.05



UNLESS OTHERWISE SPECIFIED TOLERANCES				ANGLE OF PROJECTION		Amphenol AORORA	
X.	±0.50	X. *	± 1°			Amphenol Aorora Technology (Huizhou) Co.,Ltd	
XX	±0.30	X.X *	± 0.5°				
XXX	±0.20	X.XX *	± 0.5°	Customer Drw		TITLE: FFC/FPC P0.50 H2.0 front side filp_“L” type fixed plate	
X.XXX	±0.10	X.XXX *	± 1°				
LINEAR DIMS		ANGLES DIMS		DOC TYP	Customer Drw	SIZE	DWG NO.
P/N:F305-1*7H1-210**-E*00				DRAWN	May	A4	A-S0462
				DATE	2017-10-26		
MATERIAL		SEE NOTES		DESIGN	May	REV.	B
FINISHED		SEE NOTES		DATE	2017-10-26	SCALE 1:1 UNIT : mm SHEET 2 OF 2	
				CHECKED	Rain		
				DATE	2017-10-26		
				APPROVED	Hongkui.Liu		
				DATE	2017-10-26		