

THE INFORMATION CONTAINED HEREIN IS CONSIDERED "PROPRIETARY" TO BEL FUSE INC. AND SHALL NOT BE COPIED, REPRODUCED OR DISCLOSED WITHOUT THE WRITTEN APPROVAL OF BEL FUSE INC.

RoHS



| LED 2 & 4 POLARITY | | | LED 1 & 3 POLARITY | | |
|--------------------|--------|--------|--------------------|--------|--------|
| PIN 11 | PIN 12 | COLOR | PIN 13 | PIN 14 | COLOR |
| + | - | YELLOW | + | - | YELLOW |
| - | + | GREEN | - | + | GREEN |

ELECTRICAL CHARACTERISTICS @ 25°C

URNS RATIO

| | |
|-----|---------------|
| TP1 | 1CT : 1CT ±2% |
| TP2 | 1CT : 1CT ±2% |
| TP3 | 1CT : 1CT ±2% |
| TP4 | 1CT : 1CT ±2% |

QCL @ 100kHz/100mVRMS

8mA DC BIAS 350µH MIN.

INS. LOSS

| | |
|------------------|-------------|
| 0.1MHz TO 1MHz | -1.1 dB MAX |
| 1MHz TO 65MHz | -0.5 dB MAX |
| 65MHz TO 100MHz | -0.8 dB MAX |
| 100MHz TO 125MHz | -1.2 dB MAX |

RET. LOSS (MIN)

| | |
|--------------|-----------------------|
| 0.5MHz-40MHz | -18 dB |
| 40MHz-100MHz | -12+20LOG(f/80MHz) dB |

CM TO CM REJ

100kHz - 100MHz -30 dB MIN

CM TO DM REJ

100kHz - 100MHz -35 dB MIN

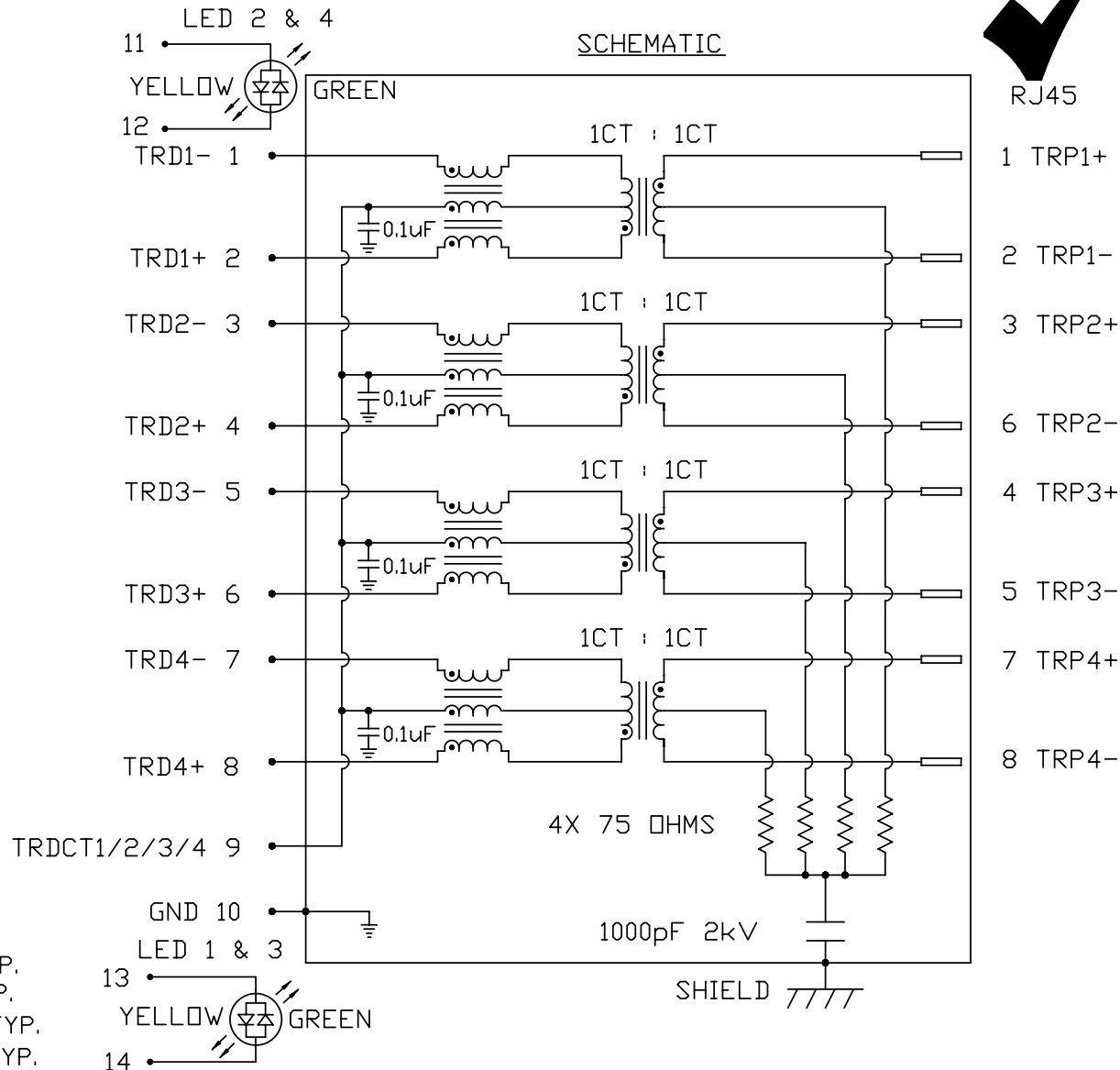
HIPOT (Isolation Voltage):

1500 Vrms

100% OF PRODUCTION TESTED TO COMPLY WITH IEEE 802.3 ISOLATION REQUIREMENTS.

LED 1,LED 2,LED 3 & LED 4

| | | | |
|--------------------------------------|---------|--------|------------|
| V _F (FORWARD VOLTAGE) | IF=20mA | GREEN | 2.2V TYP. |
| | | YELLOW | 2.1V TYP. |
| λ _D (DOMINANT WAVELENGTH) | IF=20mA | GREEN | 565nm TYP. |
| | | YELLOW | 590nm TYP. |



RJ45

1 TRP1+

2 TRP1-

3 TRP2+

6 TRP2-

4 TRP3+

5 TRP3-

7 TRP4+

8 TRP4-

9 TRDCT1/2/3/4

10 GND

11 LED 2 & 4

13 LED 1 & 3

14 LED 2 & 4



ORIGINATED BY DATE
CHOW WANCHUNG 2012-08-29

TITLE
2X3 gigabit MagJack®
(8 Cores)
PATENTED

PART NO. / DRAWING NO.
C850-2C3R-54

STANDARD DIM.
TOL. IN INCH

[] METRIC DIM. AS REFERENCE

DRAWN BY DATE
TAN QIGUANG 2012-08-29

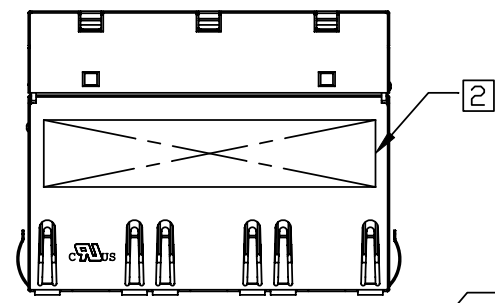
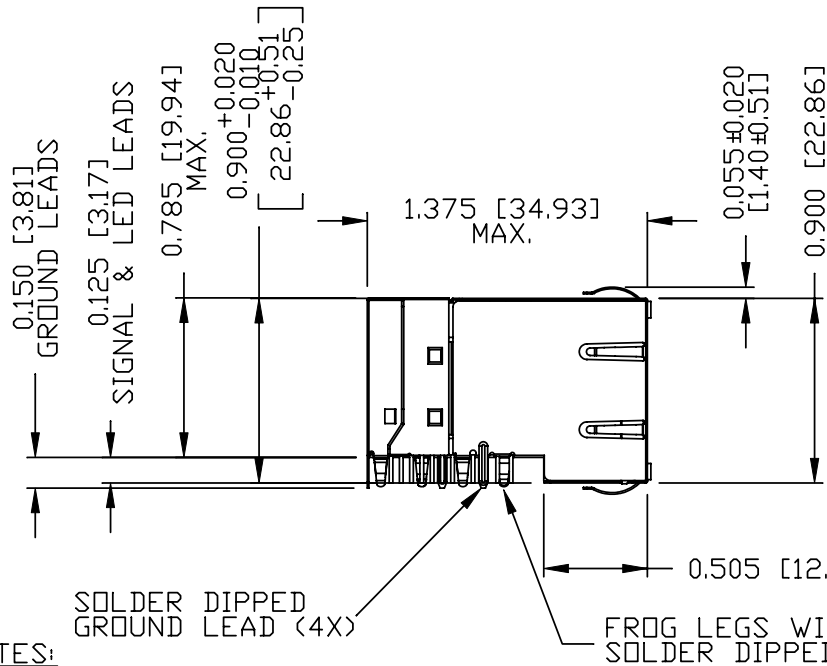
FILE NAME
C850-2C3R-54_C.DWG

.X
.XX
.XXX

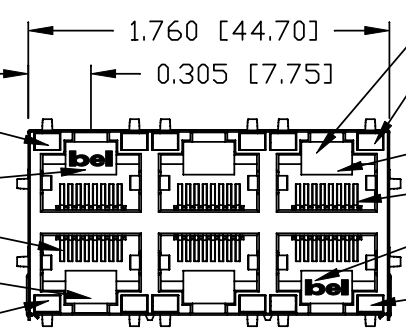
UNIT : INCH [mm] REV. : C
SCALE : N/A SIZE : A4
PAGE : 2

THE INFORMATION CONTAINED HEREIN IS CONSIDERED 'PROPRIETARY' TO BEL FUSE INC. AND SHALL NOT BE COPIED, REPRODUCED OR DISCLOSED WITHOUT THE WRITTEN APPROVAL OF BEL FUSE INC.

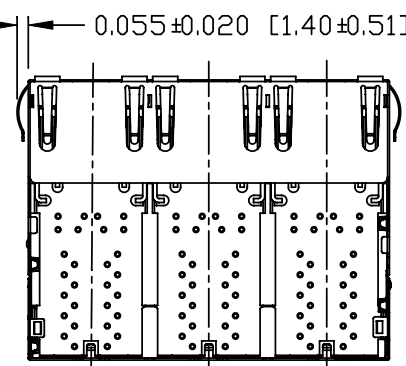
RoHS



LED 2
BI-COLOR
GREEN/YELLOW
PORT 2
RJ45 1
PORT 1
LED 4
BI-COLOR
GREEN/YELLOW



LED 1
BI-COLOR
GREEN/YELLOW
PORT 6
RJ45 1
PORT 5
LED 3
BI-COLOR
GREEN/YELLOW



0.575 [14.61]
TYPICAL

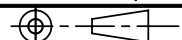
NOTES:

- PLASTIC HOUSING: THERMOPLASTIC PBT
FLAMMABILITY RATING UL 94V-0
- CONTACT PLATING: 30 MICRO-INCH HARD GOLD PLATING OR EQUIVALENT.
- OUTPUT PINS: TIN-COATED COPPER WIRE, DIA 0.018 INCH.
- METAL SHIELD: NICKEL PLATED ON COPPER ALLOY.
- (ALL GROUND LEADS ARE SOLDER DIPPED)
- FROG LEGS ARE FOR PCB RETENTION FORCE ONLY AND NOT FOR GROUNDING PURPOSE

- 1. JACK CAVITY CONFORMS TO FCC RULES AND REGULATIONS, PART 68 SUBPART F.
- 2. MARK PART WITH MFG LOGO, MFG NAME, PART NUMBER, DATE CODE AND PATENTED.

- 3. THE PRODUCT IS RoHS COMPLIANT.
- 4. REVERSED POLARITY OF GENERAL 'C' LED.
- 5. THE PRODUCT IS PATENT PRODUCT, THE PATENT NUMBER ARE U.S. PAT. 5,736,910 AND U.S. PAT. 6,840,817 AND U.S. PAT. 7,123,117.

UL RECOGNIZED - FILE #E196366 AND E169987.

| | | | | | | | | |
|-----------------------------|--------------------|--|--|------|-------------------------------|---|------------------------------|----------|
| ORIGINATED BY ANTON LIAO | DATE 2012-08-29 | TITLE 2X3 gigabit MagJack® (8 Cores) PATENTED | PART NO. / DRAWING NO. C850-2C3R-54 | | STANDARD DIM. TOL. IN INCH | | [] METRIC DIM. AS REFERENCE | |
| | | | FILE NAME C850-2C3R-54_C.DWG | | .X | | UNIT : INCH [mm] | REV. : C |
| DRAWN BY HE ZHEN | DATE 2012-08-29 | | | .XX | | SCALE : N/A | SIZE : A4 | PAGE : 3 |
| | | | | .XXX | ±0.010 |  | | |

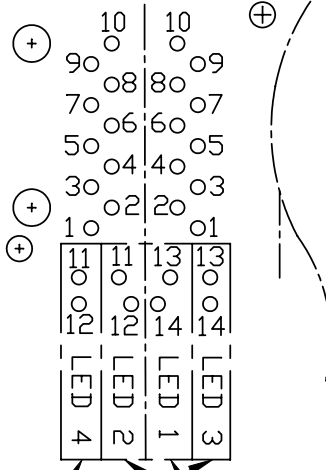
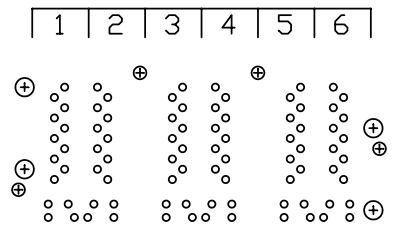


THE INFORMATION CONTAINED HEREIN IS CONSIDERED 'PROPRIETARY' TO BEL FUSE INC. AND SHALL NOT BE COPIED, REPRODUCED OR DISCLOSED WITHOUT THE WRITTEN APPROVAL OF BEL FUSE INC.

RoHS



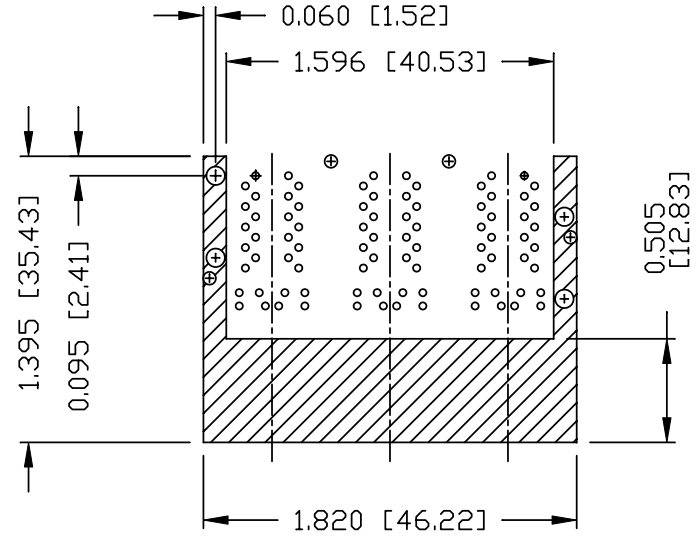
PORT ASSIGNMENT
(COMPONENT SIDE VIEW)



LED FOR LOWER DECK LED FOR UPPER DECK

PIN-OUT INFORMATION
(COMPONENT SIDE VIEW)

| | |
|----|----------------------|
| 14 | YELLOW (-)/GREEN (+) |
| 13 | YELLOW (+)/GREEN (-) |
| 12 | YELLOW (-)/GREEN (+) |
| 11 | YELLOW (+)/GREEN (-) |
| 10 | GND |
| 9 | TRDCT1/2/3/4 |
| 8 | TRD 4+ |
| 7 | TRD 4- |
| 6 | TRD 3+ |
| 5 | TRD 3- |
| 4 | TRD 2+ |
| 3 | TRD 2- |
| 2 | TRD 1+ |
| 1 | TRD 1- |



THE SHADED AREA ON THE CUSTOMER BOARD ARE RECOMMENDED TO BE CLEAR OFF ANY VIA HOLE OR COMPONENT PAD.

| | |
|-----------------------------|--------------------|
| ORIGINATED BY ANTON LIAO | DATE 2012-08-29 |
| DRAWN BY HE ZHEN | DATE 2012-08-29 |

TITLE
2X3 gigabit MagJack®
(8 Cores)
PATENTED

| |
|--|
| PART NO. / DRAWING NO. C850-2C3R-54 |
| FILE NAME C850-2C3R-54_C.DWG |

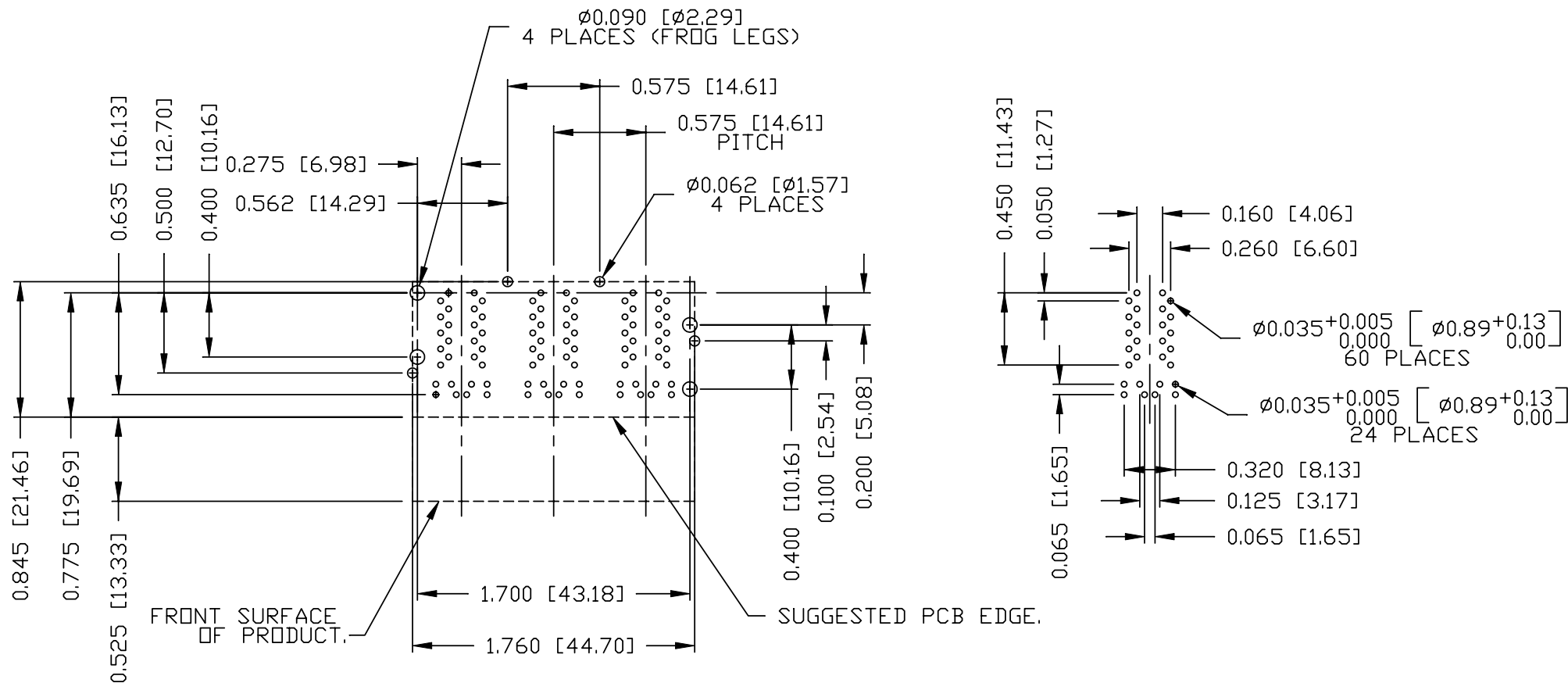
| | |
|-------------------------------|------------------------------|
| STANDARD DIM. TOL. IN INCH | [] METRIC DIM. AS REFERENCE |
| .X | UNIT : INCH [mm] |
| .XX | SCALE : N/A |
| .XXX | ±0.004 |

| |
|-----------|
| REV. : C |
| SIZE : A4 |
| PAGE : 4 |



THE INFORMATION CONTAINED HEREIN IS CONSIDERED "PROPRIETARY" TO BEL FUSE INC. AND SHALL NOT BE COPIED, REPRODUCED OR DISCLOSED WITHOUT THE WRITTEN APPROVAL OF BEL FUSE INC.

RoHS



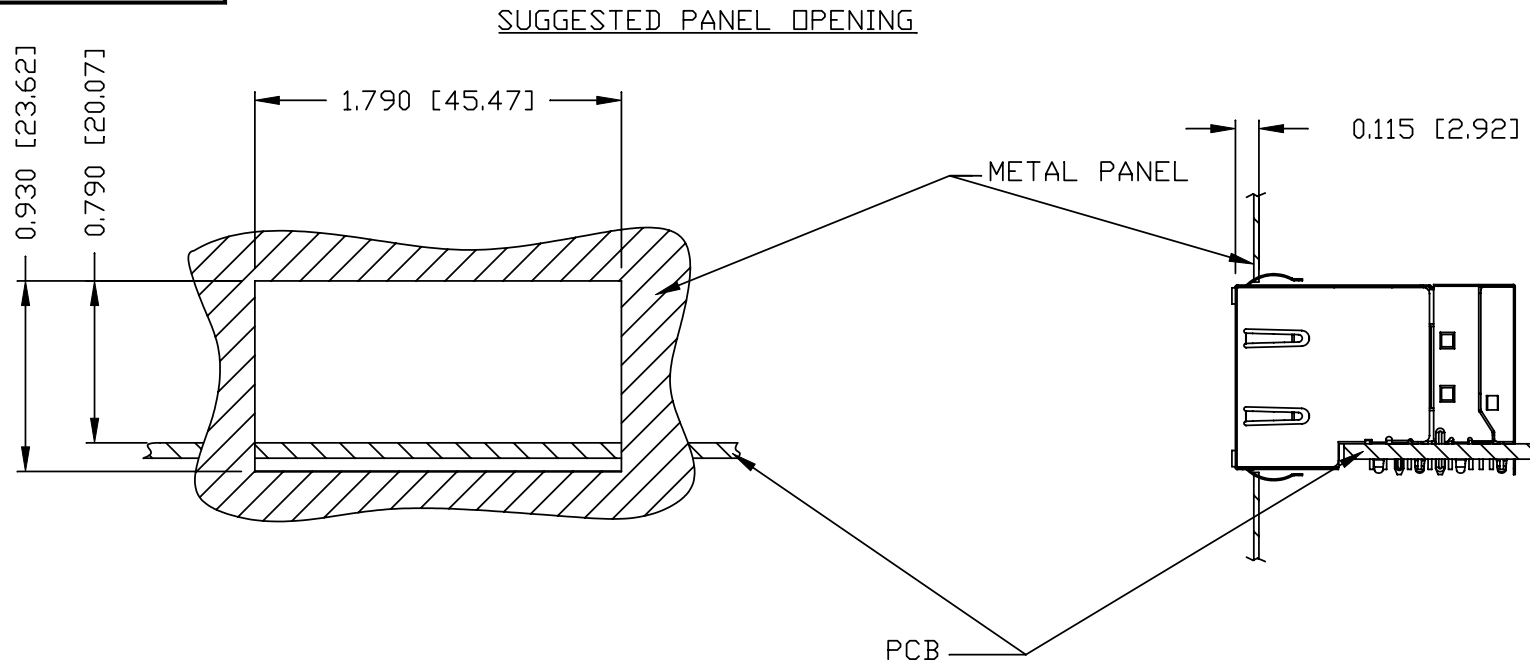
SUGGESTED FOOTPRINT
(COMPONENT SIDE VIEW)

| | | | | | | |
|-----------------------------|--------------------|--|--|-------------------------------|---------------------------------|-----------------------------------|
| ORIGINATED BY ANTON LIAO | DATE 2012-08-29 | TITLE 2X3 gigabit MagJack® (8 Cores) PATENTED | PART NO. / DRAWING NO. C850-2C3R-54 | STANDARD DIM. TOL. IN INCH | [] METRIC DIM. AS REFERENCE | |
| DRAWN BY HE ZHEN | DATE 2012-08-29 | | FILE NAME C850-2C3R-54_C.DWG | .X .XX .XXX | UNIT : INCH [mm] SCALE : N/A | REV. : C SIZE : A4 PAGE : 5 |



THE INFORMATION CONTAINED HEREIN IS CONSIDERED "PROPRIETARY" TO BEL FUSE INC. AND SHALL NOT BE COPIED, REPRODUCED OR DISCLOSED WITHOUT THE WRITTEN APPROVAL OF BEL FUSE INC.

RoHS



NOTE:

THE DISTANCE OF PANEL INSIDE SURFACE RELATIVE TO FRONT SURFACE OF PART IS ONLY A SUGGESTION. IN CASE THIS DISTANCE IS DIFFERENT, THE REQUIRED PANEL OPENING DIMENSIONS CHANGE ACCORDINGLY.

PACKING INFORMATION

PACKING TRAY : 0200-9999-G8 (TOP)

0200-9999-G9 (BOTTOM)

PACKING QUANTITY : 30 PCS FINISHED GOODS PER TRAY.

6 TRAYS (180 PCS FINISHED GOODS) PER CARTON BOX.

NOTE : CARDBOARDS ARE PLACED BETWEEN LAYERS OF PACKING TRAY INSIDE CARTON BOX.

(INCLUDE THE UPPERMOST AND LOWERMOST TRAY)

| | | | | | | | | | |
|-----------------------------|--------------------|--|--|--|-------------------------------|--------|------------------------------|-----------|---|
| ORIGINATED BY ANTON LIAO | DATE 2012-08-29 | TITLE 2X3 gigabit MagJack® (8 Cores) PATENTED | PART NO. / DRAWING NO. C850-2C3R-54 | | STANDARD DIM. TOL. IN INCH | | [] METRIC DIM. AS REFERENCE | | bel COMPONENTS OR A CONNECTED PLANET |
| | | | FILE NAME C850-2C3R-54_C.DWG | | .X | | UNIT : INCH [mm] | REV. : C | |
| DRAWN BY HE ZHEN | DATE 2012-08-29 | | | | .XX | | SCALE : N/A | SIZE : A4 | PAGE : 6 |
| | | | | | .XXX | ±0.004 | | | |