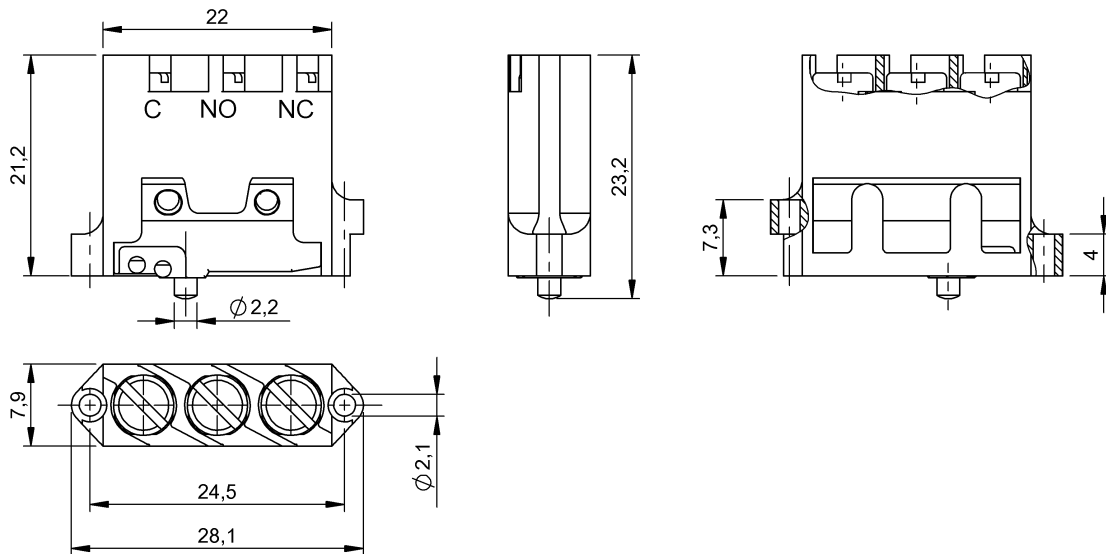


Mechanical Cam Switches
BSE 74.1-RK
 Order Code: BSE000L

BALLUFF



Basic features

Approval/Conformity	CSA
	CE
	CCC
	WEEE
	EAC
Bounce time max.	2.0 ms
Switching time	10 ms
Use with series	EGT 100
	EGT 99
	RGT 40
	RGT 46

Electrical connection

Connection type	1. Switch position: Screw terminal
Contact system	Single-pin changeover

Electrical data

Contact arrangement	NC: C+NC NO: C+NO
Contact resistance max.	240 mOhm
Contact resistance max., note	New condition
Continuous current	1. Switch position: 0.1 A
Mechanical life expectancy min.	10 mil. switching operations
Minimum load at 24 V DC	10.0 mA
Nominal voltage	250 VAC
Rated continuous current	0.1 A
Rated operating current Ie	0.1 A
Rated operating current Ie AC	0.1 A
Rated operating voltage Ue AC	250 V
Rated operating voltage Ue DC	220 V
Switching actuation force max.	1.50 N
Switching operations per minute	200
Switching principle	Snap switch
Switchover time max.	10.0 ms

Environmental conditions

Ambient temperature	-5...85 °C
----------------------------	------------

Material

Housing material	Thermoplast, GF
Material contacts	Gold
Material contacts	1. Switch position: Gold

Mechanical data

Connection cross-section

0.75 mm²

Tightening torque max.

12 Ncm

Wiring Diagrams

