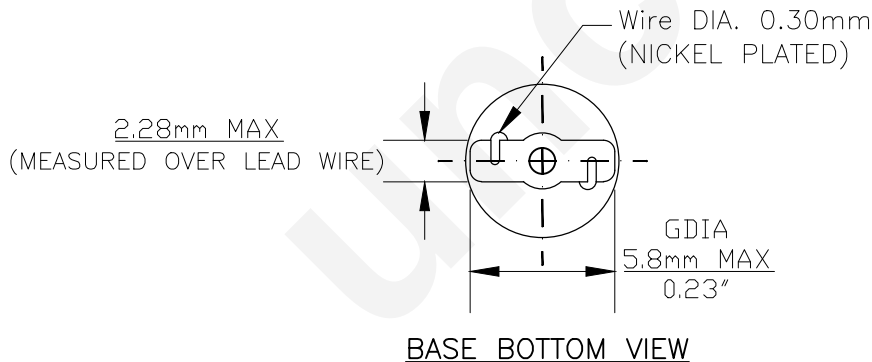
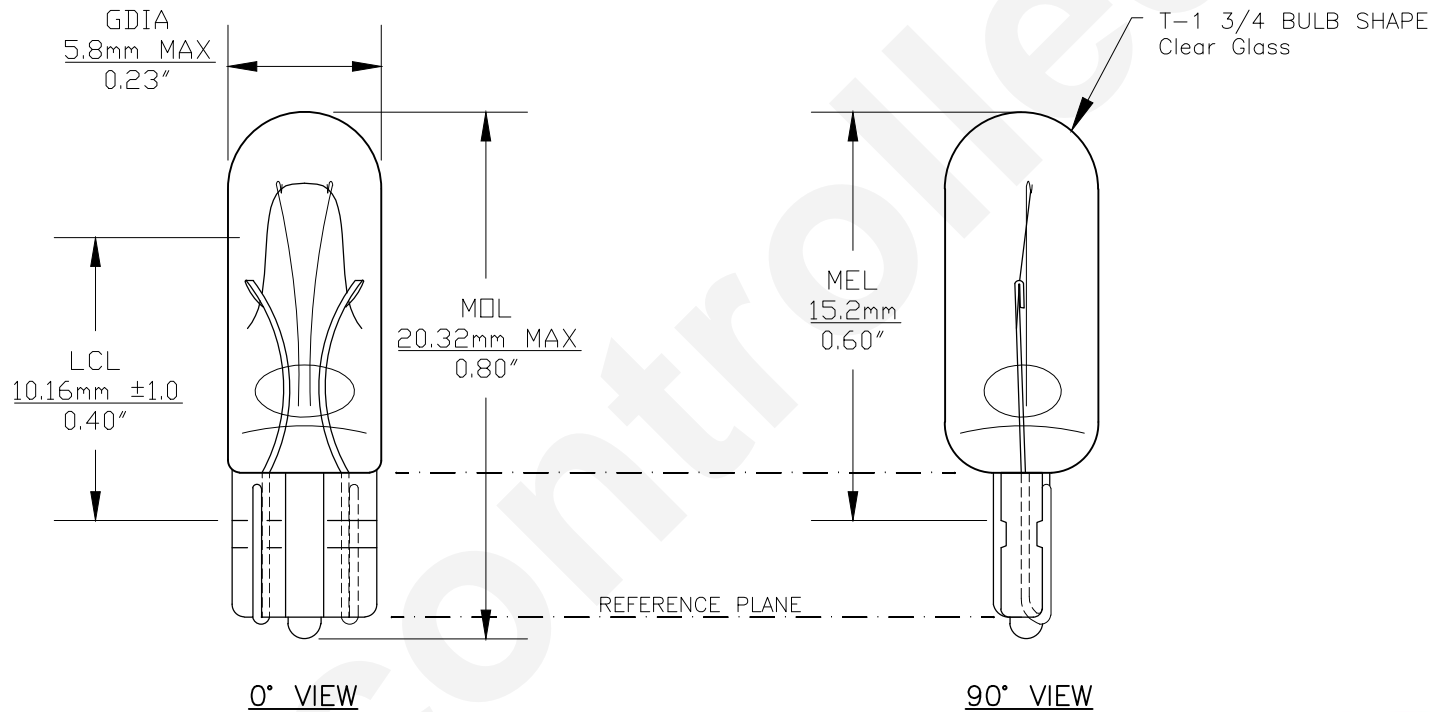




PART NO.	BASE TYPE	DESIGN VOLTS	DESIGN AMPS	MSCD	FILAMENT TYPE	AVERAGE LIFE HOURS	REVISIONS			
							REV #	DESCRIPTION	DATE	APPROVED
85	Sub-miniature Glass Wedge (T-1 3/4)	28.0V	0.04±15%	0.3±30%	C-2F	7000	1	REDRAWN	08/16/2005	D.C.
							2	REDRAWN FOR ADDITIONAL VIEWS	10/30/2014	R.M.



Note: Made according to SAE specifications



UNLESS OTHERWISE SPECIFIED: DIMENSIONS ARE IN INCHES TOLERANCES		CEC INDUSTRIES LTD	
DECIMALS .XX ± .05	ANGULAR ± 0.5°	599 BOND STREET	LINCOLNSHIRE, IL 60069
FRACTIONAL ±1/64		TITLE LIGHT BULB NO. 85	
DRAWN ELIZABETH SONANES	DATE 02/01/2001	SIZE A	FSCM NO. DWG NO. 85 REV 2
CHECKED		SCALE	PLOT SCALE SHEET 1 OF 1
DESIGN		FILE 85.pdf	DRAWING NOT TO SCALE