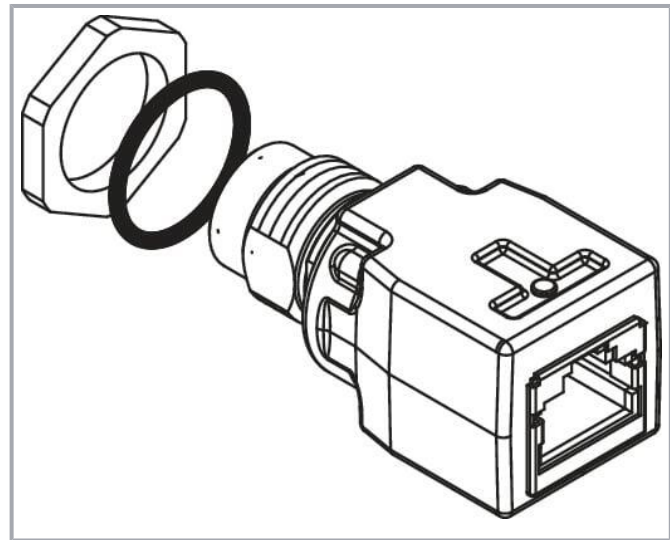
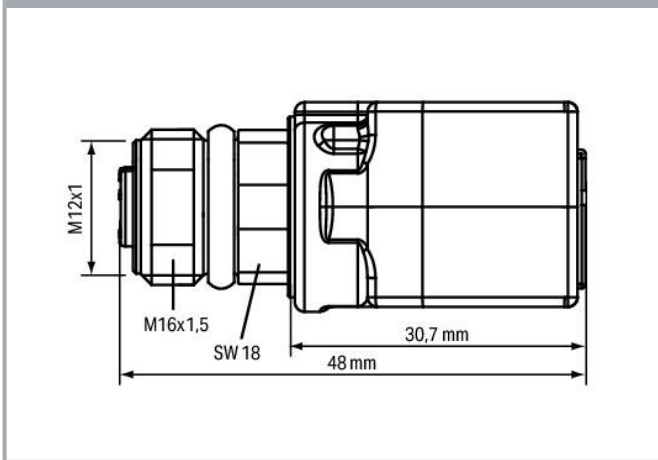
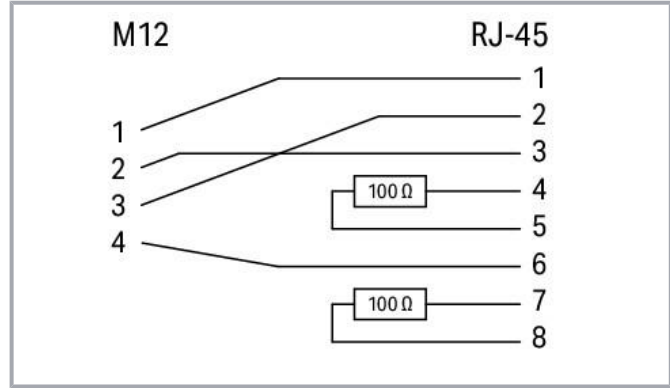
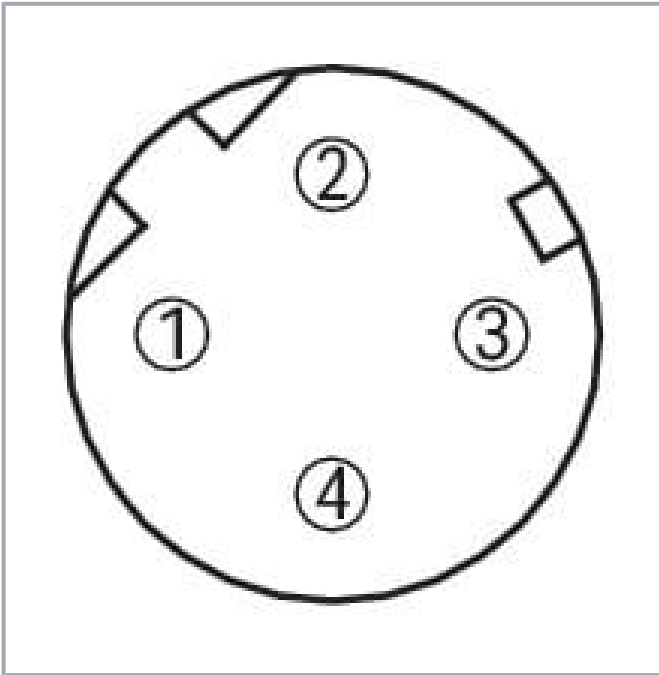


 Picture differs from the item.



Subject to changes. Please also observe the further product documentation!



Data

Technical data

| | |
|----------------------------------------------------|---------------------------|
| Connection type | M12 socket - RJ-45 socket |
| Pole number | 4 |
| Cable connection direction to mating direction | 0° |
| Cable connection direction to mating direction (2) | 0° |
| Connector interface coding (cable/adaptor) 1 1 | D-coded |
| Communication/fieldbus | ETHERNET |
| Communication/fieldbus (2) | PROFINET |

Mechanical Data

| | |
|--------|--------|
| Weight | 37.5 g |
|--------|--------|

Environmental requirements

| | |
|-----------------|------|
| Protection type | IP67 |
|-----------------|------|

Commercial data

| | |
|-------------|-------------|
| eCl@ss 10.0 | 27-24-26-92 |
| eCl@ss 9.0 | 27-24-26-92 |

Subject to changes. Please also observe the further product documentation!



| | |
|-----------------------|---------------|
| ETIM 8.0 | EC002584 |
| ETIM 7.0 | EC002584 |
| PU (SPU) | 1 pcs |
| Packaging type | box |
| Country of origin | DE |
| GTIN | 4045454971113 |
| Customs tariff number | 85366990990 |

Environmental Product Compliance

| | |
|-------------------------------------------|--------------------------------------|
| CAS-No. | 7439-92-1 |
| REACH Candidate List Substance | Lead |
| RoHS Compliance Status | Compliant,With Exemption |
| RoHS Exemption | 6(c) |
| SCIP notification number (Austria) | ffce34b9-98e4-4c07-b7f9-b782c9aeb251 |
| SCIP notification number (Belgium) | c65a0c71-c8be-47ce-9132-83d28d495f43 |
| SCIP notification number (Bulgaria) | f7371382-dd68-4efa-82f2-a33c6a758e53 |
| SCIP notification number (Czech Republic) | f4744379-35ea-44bb-9514-ec1a81e79c0c |
| SCIP notification number (Denmark) | d1692e2d-bcd4-424d-a10c-f5bc9af04148 |
| SCIP notification number (Finland) | af38fe45-00a3-4458-bf73-9b36fc46a7c0 |
| SCIP notification number (France) | 4260c0db-74e7-4f89-ac17-009b3c0a1d48 |
| SCIP notification number (Germany) | 8b8fa1b1-66ce-497c-81af-4690ade0f8dd |
| SCIP notification number (Hungary) | ced56148-bc9d-49bf-a45a-8db08df27caf |
| SCIP notification number (Italy) | a897b9df-defd-44df-be0a-4c71d7a605f4 |
| SCIP notification number (Netherlands) | caa050ee-d2a5-4216-a725-a2afbf0d30cb |
| SCIP notification number (Poland) | 0ab3c659-159a-4aeb-8437-e68434e4dfea |
| SCIP notification number (Romania) | 5fff4116-7fe9-4c78-abb2-66abc8dab417 |
| SCIP notification number (Sweden) | e3918eb9-211b-4ee2-81e3-daab9f94f368 |

Downloads

CAD/CAE-Data

CAE data

| | | |
|---------------------------------|-----|----------|
| WSCAD Universe 756-9504/040-000 | URL | Download |
| WSCAD Universe 756-9504/040-000 | URL | Download |

Environmental Product Compliance

Subject to changes. Please also observe the further product documentation!

WAGO GmbH & Co. KG
Hansastr. 27
32423 Minden
Phone: +49571 887-0 | Fax: +49571 887-169
Email: info.de@wago.com | Web: www.wago.com

Do you have any questions about our products?
We are always happy to take your call at +49 (571) 887-44222.



Compliance Search

Environmental Product Compliance 756-9504/040-000

URL

Download

Accessories; 4-pole

Installation Notes

Subject to changes. Please also observe the further product documentation!

WAGO GmbH & Co. KG

Hansastr. 27

32423 Minden

Phone: +49571 887-0 | Fax: +49571 887-169

Email: info.de@wago.com | Web: www.wago.com

Do you have any questions about our products?

We are always happy to take your call at +49 (571) 887-44222.