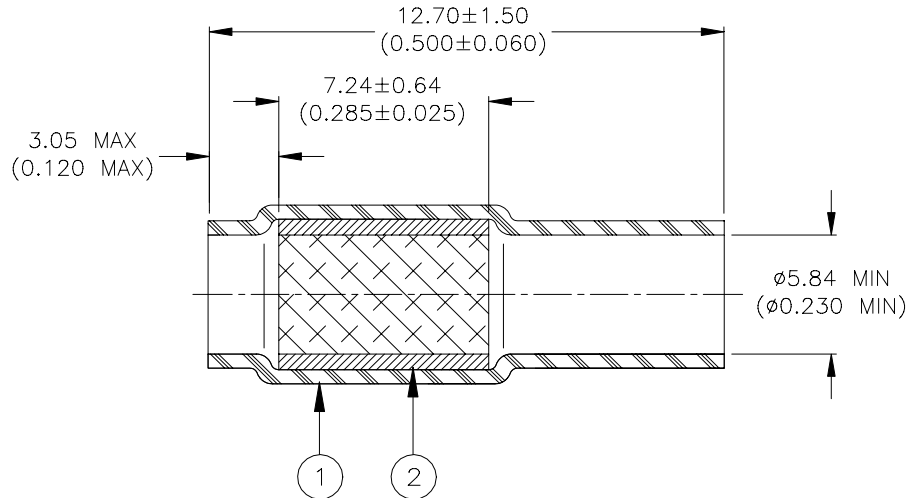


SPECIFICATION CONTROL DRAWING



MATERIALS

1. INSULATION SLEEVE: Heat-shrinkable, transparent blue, radiation cross-linked polyvinylidene fluoride.
2. SHIELD: Solder impregnated, flux coated copper wire braid.
 SOLDER: TYPE Sn63 per ANSI J-STD-006.
 FLUX: TYPE ROM1 per ANSI J-STD-004.

APPLICATION

1. This part is designed to interconnect the shields of 2 to 4 cables having a combined shield diameter between 2.54 (0.100) and 5.08 (0.200).
2. Part maybe installed using Raychem-approved infrared or hot-air heaters.

tyco / Electronics / Raychem		Wire and Harnessing Products		TITLE: SOLDERSHIELD BRAID SPLICE			
307 Constitution Drive Menlo Park, CA 94025, USA							
Unless otherwise specified dimensions are in millimeters. Inches dimensions are in between brackets.				DOCUMENT NO.: D-151-0006			
TOLERANCES: 0.00 N/A 0.0 N/A 0 N/A	ANGLES: N/A ROUGHNESS IN MICRON	Tyco Electronics reserves the right to amend this drawing at any time. Users should evaluate the suitability of the product for their application.		DCR NUMBER: D010245		REPLACES: N/A	
DRAWN BY: M. FORONDA	DATE: 10-Apr.-01	PROD. REV. B	DOC ISSUE: 1	SCALE: None	SIZE: A	SHEET: 1 of 1	

If this document is printed it becomes uncontrolled. Check for the latest revision.