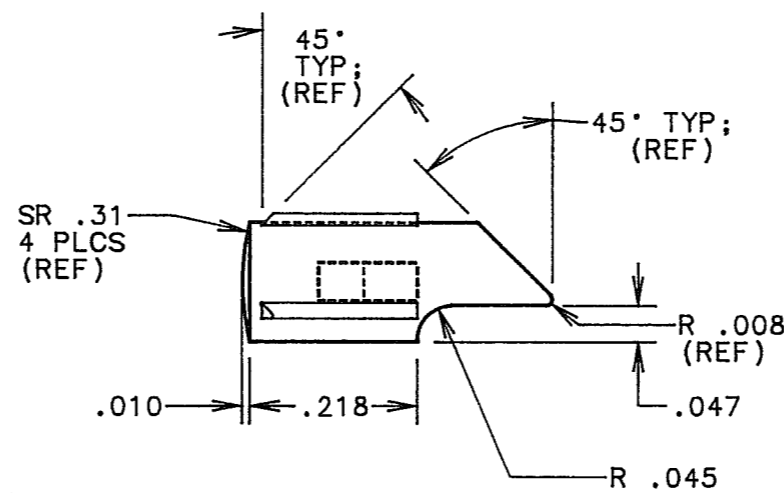
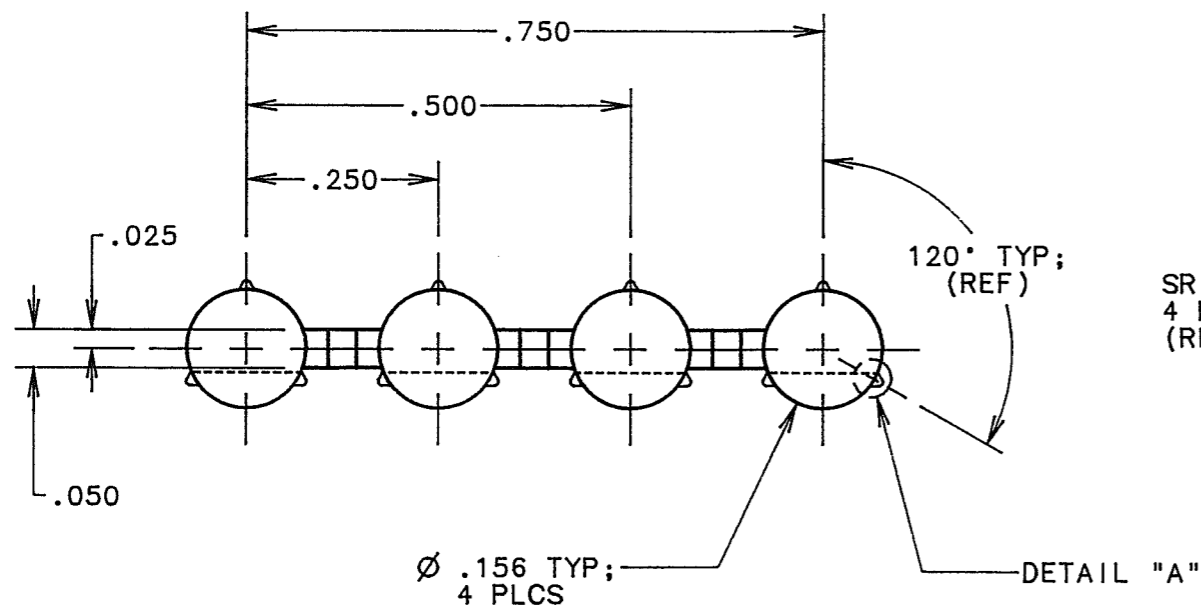


DETAIL "A"
SCALE 16:1
12 PLCS
(NO POLISH REQ'D)



NOTES:

1. COMPONENT TO BE MOLDED IN A CLEAR TRANSMISSIVE POLYCARBONATE WITH A FLAMMIBILITY RATING OF 94-V2 OR BETTER.
2. COMPONENT WILL HAVE HIGH POLISH FINISH EXCEPT WHERE NOTED OTHERWISE.

C	—	ADDED SR .31 4 PLCS (REF) & .010 ADDITIONAL PROTRUSIONS.	M.C.	D.C.	4-23-97
B	—	ADDED .037 TYP; 3 PLCS (REF), .070 TYP (REF), R.005 (REF), AND R.010 FILLET TYP (REF).	M.C.	D.C.	2-22-96
A	—	NEW RELEASE	M.C.	N.O.	2-2-96
LTR	ECN NO.	REVISIONS	DRN.	APP.	DATE

THIS DRAWING AND THE CONTENTS HEREIN ARE CONFIDENTIAL AND THE SOLE PROPERTY OF DIALIGHT. REPRODUCTION OF THIS DRAWING OR CONSTRUCTION OF ANY PARTS WITHIN THIS DRAWING ARE FORBIDDEN WITHOUT THE PRIOR WRITTEN CONSENT OF DIALIGHT.

SCALE: 4:1		CUSTOMER DRAWING NO.	DWG. REV.
TOLERANCES: UNLESS OTHERWISE SPECIFIED ALL DIM'S IN: INCHES		C-16062	C
FRACTIONS: ± 1/64 DECIMALS(.XX) ± .02 DECIMALS(.XXX) ± .010 ANGLES ± 3°		TITLE 4-ELEMENT LIGHTPIPE	
FINISH:		PART NUMBER 515-1040	
FSCM	83330	Dialight	1913 Atlantic Ave. Manasquan, NJ 08736