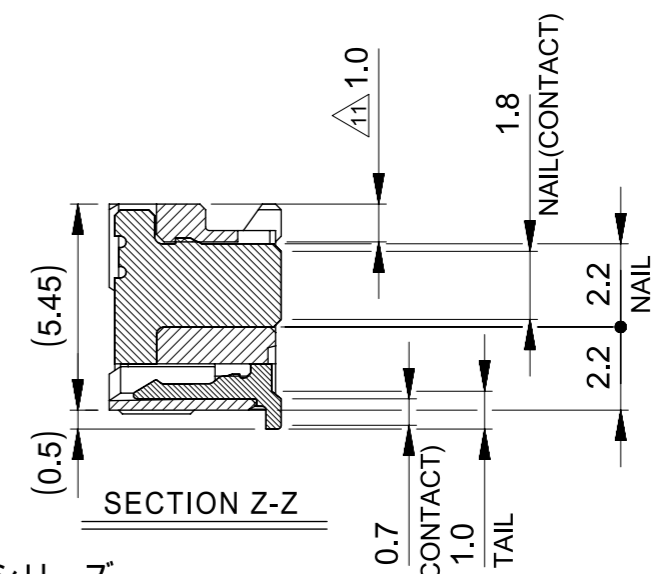
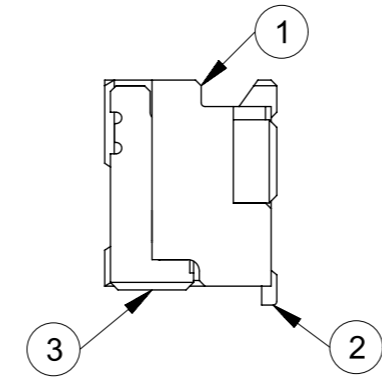
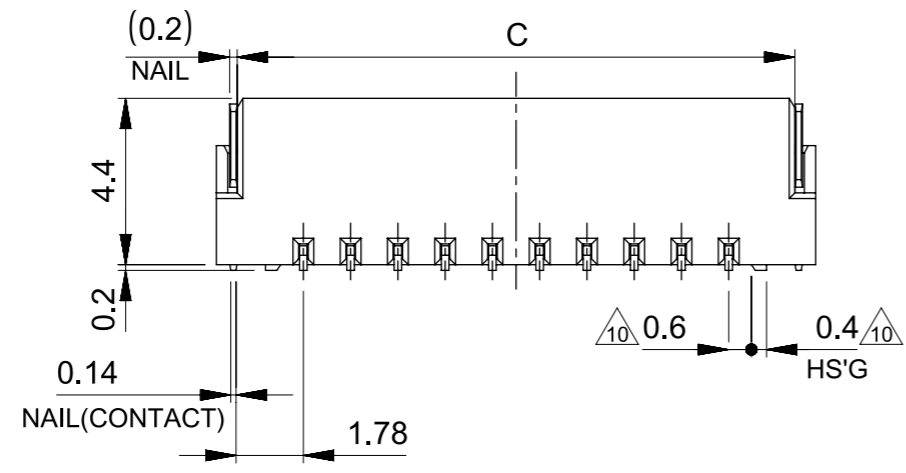
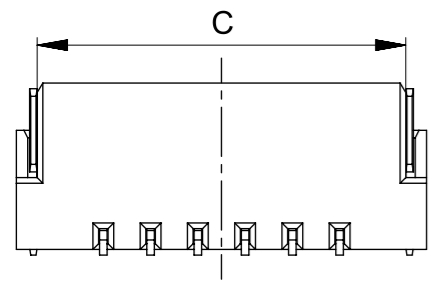
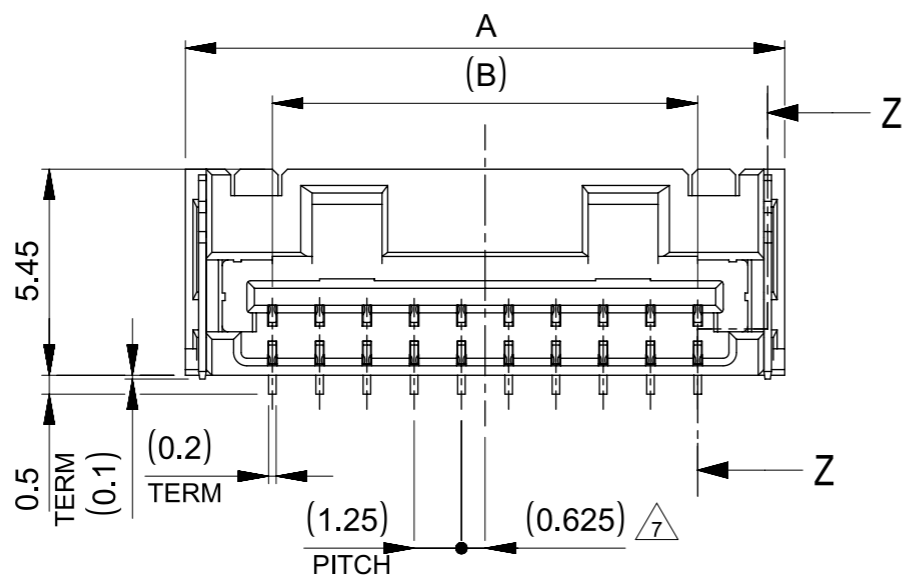
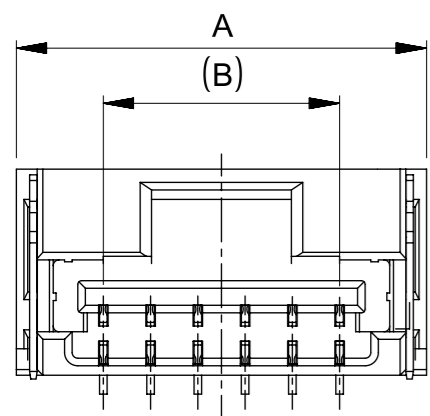
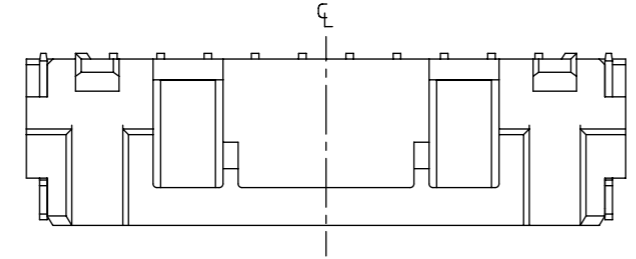
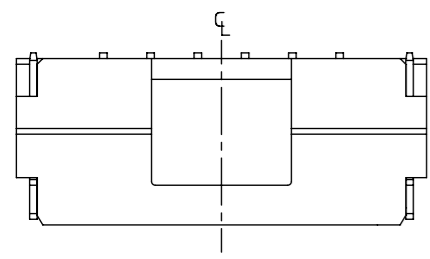
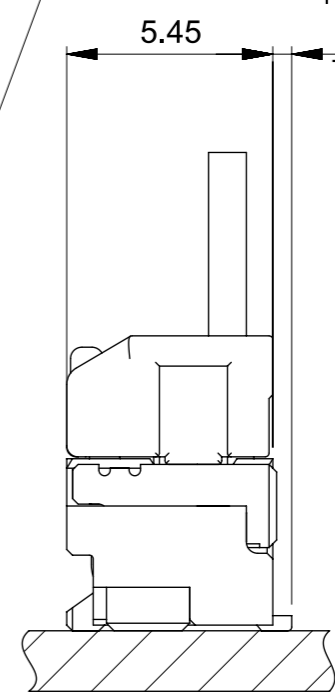
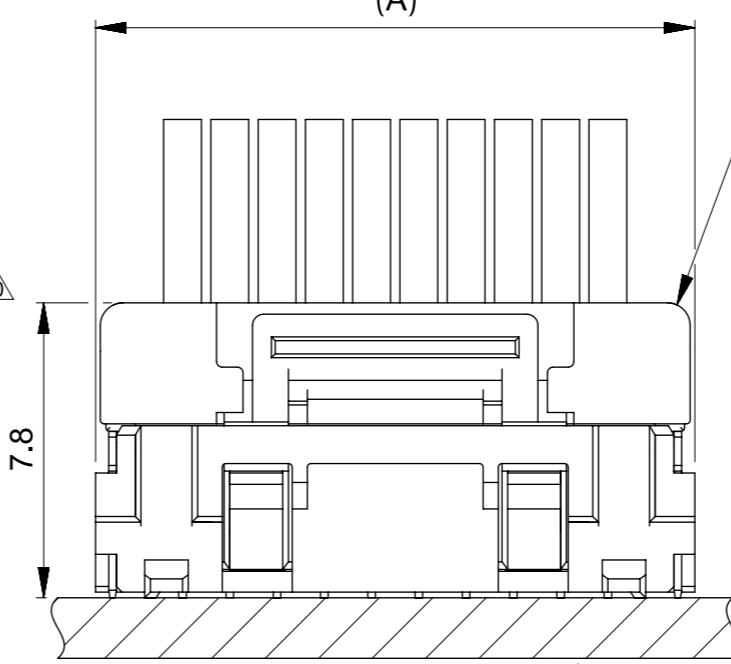


FORM OF 2-7 CIRCUIT

FORM OF 8-15 CIRCUIT



嵌合相手：502380シリーズ
MATE WITH:502380 SERIES
(A)



| | | | |
|-------|-------|-------|--------------------|
| 21 | 17.5 | 22.1 | 15 |
| 19.75 | 16.25 | 20.85 | 14 |
| 18.5 | 15 | 19.6 | 13 |
| 17.25 | 13.75 | 18.35 | 12 |
| 16 | 12.5 | 17.1 | 11 |
| 14.75 | 11.25 | 15.85 | 10 |
| 13.5 | 10 | 14.6 | 9 |
| 12.25 | 8.75 | 13.35 | 8 |
| 11 | 7.5 | 12.1 | 7 |
| 9.75 | 6.25 | 10.85 | 6 |
| 8.5 | 5 | 9.6 | 5 |
| 7.25 | 3.75 | 8.35 | 4 |
| 6 | 2.5 | 7.1 | 3 |
| 4.75 | 1.25 | 5.85 | 2 |
| C | B | A | 極数 CIRCUIT SIZE |

TABLE 1

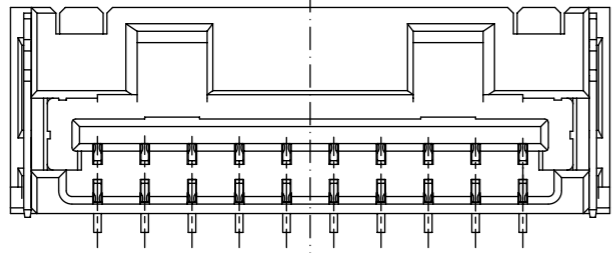
| 番号 NO. | 部品 PART | 材質 MATERIAL |
|-----------|-------------------|--|
| ① | ハウジング HOUSING | ポリアミド(PA) UL94V-0 色：ナチュラル POLYAMIDE(PA) UL94V-0 COLOR：NATURAL |
| ② | ターミナル TERMINAL | 銅合金 COPPER ALLOY |
| | | 金めっき：0.1 micro-meter MIN. GOLD PLATING ニッケルめっき(下地)：1.0 micro-meter MIN. NICKEL (UNDER PLATING) |
| ③ | ネイル NAIL | 銅合金 COPPER ALLOY |
| | | 錫めっき：1.0 micro-meter MIN. MATTE TIN PLATING ニッケルめっき(下地)：1.0 micro-meter MIN. NICKEL (UNDER PLATING) |

| | | | | |
|-----------------|----|--------------|------------|----------|
| DOCUMENT STATUS | P1 | RELEASE DATE | 2018/09/14 | 07:01:27 |
|-----------------|----|--------------|------------|----------|

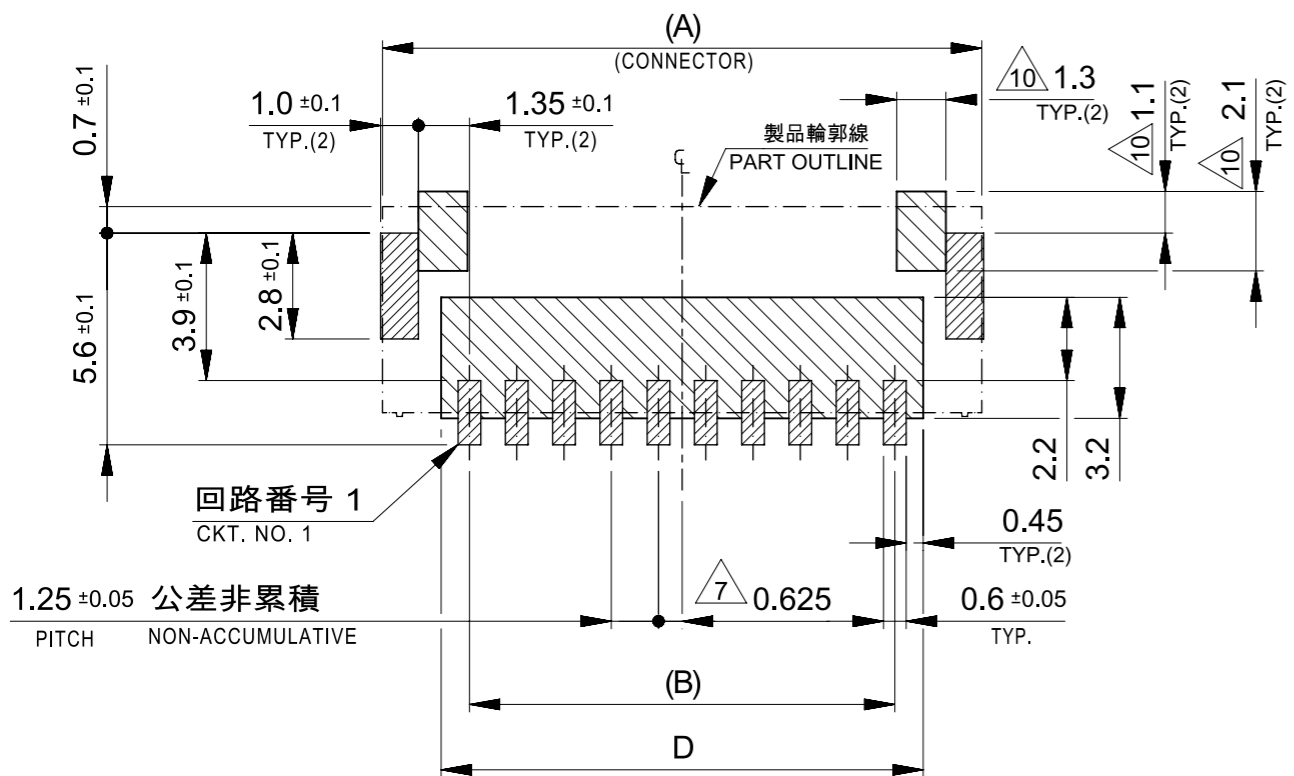
嵌合図
MATED CONNECTORS

THIS DRAWING CONTAINS INFORMATION THAT IS PROPRIETARY TO MOLEX ELECTRONIC TECHNOLOGIES, LLC AND SHOULD NOT BE USED WITHOUT WRITTEN PERMISSION

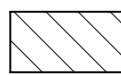
| | | |
|--|--------------|--|
| DIMENSION UNITS mm | SCALE NTS | CURRENT REV DESC: REDRAWN AND REVISED |
| GENERAL TOLERANCES (UNLESS SPECIFIED) | | <p>molex</p> <p>CLIK-MATE 1.25 SINGLE ROW S/T TYPE GOLD PLATING</p> <p>PRODUCT CUSTOMER DRAWING</p> |
| ANGULAR TOL | ± 3.0° | |
| 4 PLACES | ± 0.2 | |
| 3 PLACES | ± 0.2 | |
| 2 PLACES | ± 0.2 | |
| 1 PLACE | ± 0.2 | INITIAL REVISION: |
| 0 PLACES | ± 0.2 | DRWN: AISHIKAWA 2018/09/11 |
| DRAFT WHERE APPLICABLE MUST REMAIN WITHIN DIMENSIONS | | APPR: TKANEKO 2018/09/14 |
| THIRD ANGLE PROJECTION | DRAWING | SERIES |
| | A3-SIZE | 502382 |
| MATERIAL NUMBER | CUSTOMER | SHEET NUMBER |
| SEE SHEET 4 | GENERAL | 1 OF 4 |



製品レイアウト
PRODUCT LAYOUT



推奨基板レイアウト：実装面側
(参考：基板厚 1.6mm, メタルマスク厚さ 0.15mm, マスク開口率100%)
SUGGESTED PCB LAYOUT : COMPONENT SIDE
(REFERENCE: PCB THICKNESS 1.6mm, STENCIL THICKNESS 0.15mm, APERTURE RATIO 100%)

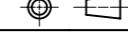
 :パターン禁止エリア
RESTRICTED AREA
NO PCB COMPONENTS ALLOWED

NOTE

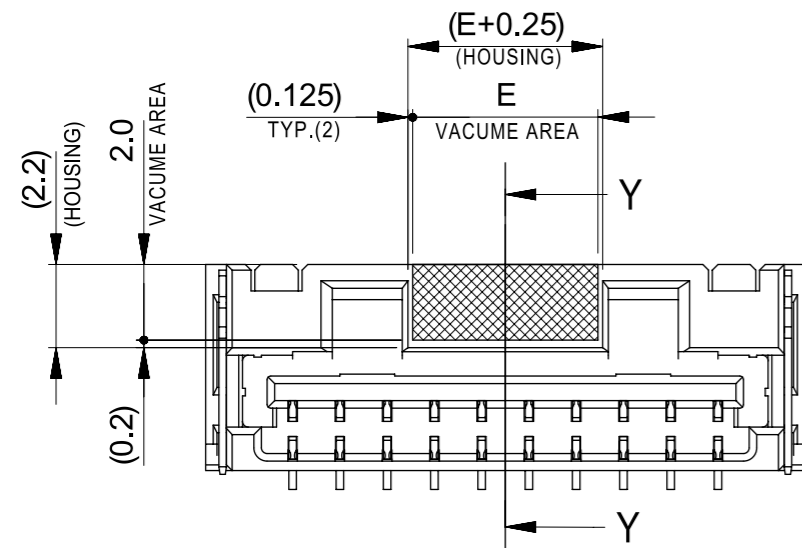
1. 材料及び仕上げ(めっき仕様) : TABLE 1 参照
MATERIAL AND FINISHES : SEE TABLE 1
2. 製品仕様書 : PS-502382-002
PRODUCT SPECIFICATION:PS-502382-002
3. 梱包形態 : SHEET 4 参照
PACKAGING INFORMATION : SEE SHEET 4
4. 嵌合相手 : 502380 シリーズ
MATES WITH:502380 SERIES
5. アプリケーション仕様書(コネクタ取扱い説明書) : AS-502380-001(日本語版)/-002(英語版)
APPLICATION SPECIFICATION(CONNECTOR MANNUAL):AS-502380-001(JAPANESE)/-002(ENGLISH)
6. 端子テール部及びネイルの平坦度:0.1 MAX.
TAIL AND NAIL COPLANARITY TO BE 0.1 MAX.
7. 極数/2 = 偶数に適用
APPLY FOR CIRCUIT SIZE / 2 =EVEN
8. ネイルに錫めっきを使用している為、外観に摺動痕が付く場合があります。
THE WOUND OF FRICTION MIGHT ADHERE TO EXTERNALS
BECAUSE THE TIN PLATING IS USED FOR THE NAIL.
9. 本製品のプラスチック部に黒点・白点等が確認される場合や色合いが異なる場合がありますが、製品性能に影響はありません。
THERE IS NO INFLUENCE IN THE PRODUCT PERFORMANCE THOUGH THE BLACK AND WHITE SPOT ETC.
MIGHT BE CONFIRMED TO THE PLASTIC PART OF THIS PRODUCT AND THE SHADE MIGHT BE DIFFERENT.
10. 8-15極のみ適用
APPLY TO 8-15 CIRCUIT SIZE

| | |
|-------|--------------------|
| 19 | 15 |
| 17.75 | 14 |
| 16.5 | 13 |
| 15.25 | 12 |
| 14 | 11 |
| 12.75 | 10 |
| 11.5 | 9 |
| 10.25 | 8 |
| 9 | 7 |
| 7.75 | 6 |
| 6.5 | 5 |
| 5.25 | 4 |
| 4 | 3 |
| 2.75 | 2 |
| D | 極数 CIRCUIT SIZE |

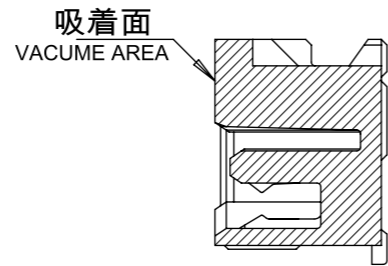
THIS DRAWING CONTAINS INFORMATION THAT IS PROPRIETARY TO MOLEX ELECTRONIC TECHNOLOGIES, LLC AND SHOULD NOT BE USED WITHOUT WRITTEN PERMISSION

| | | | | | |
|--|---|---------------------------------------|--------------------------|-----------------|----------|
| DIMENSION UNITS mm | SCALE NTS | CURRENT REV DESC: REDRAWN AND REVISED | molex | | |
| GENERAL TOLERANCES (UNLESS SPECIFIED) | | EC NO: 604371 | | | |
| ANGULAR TOL | ± 3.0 ° | DRWN: AISHIKAWA 2018/09/11 | PRODUCT CUSTOMER DRAWING | | |
| 4 PLACES | ± 0.2 | CHK'D: AIDA 2018/09/14 | DOCUMENT NUMBER | | |
| 3 PLACES | ± 0.2 | APPR: TKANEKO 2018/09/14 | 5023820000-SD | | |
| 2 PLACES | ± 0.2 | INITIAL REVISION: | DOC TYPE | DOC PART | REVISION |
| 1 PLACE | ± 0.2 | DRWN: AISHIKAWA 2018/09/11 | PSD | 001 | A |
| 0 PLACES | ± 0.2 | APPR: TKANEKO 2018/09/14 | SHEET NUMBER | | |
| DRAFT WHERE APPLICABLE MUST REMAIN WITHIN DIMENSIONS | THIRD ANGLE PROJECTION | DRAWING | SERIES | MATERIAL NUMBER | CUSTOMER |
| |  | A3-SIZE | 502382 | SEE SHEET 4 | GENERAL |

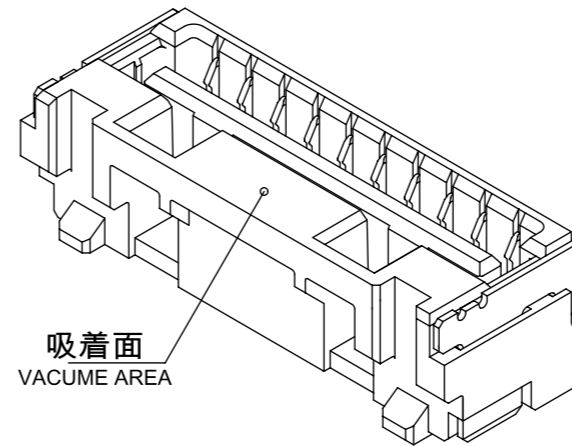
CASE OF 8-15CIRCUIT



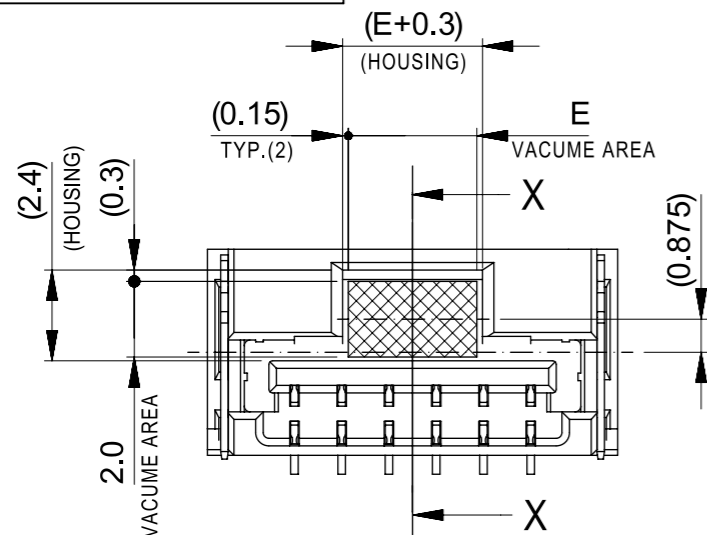
吸着範囲
VACUME RANGE



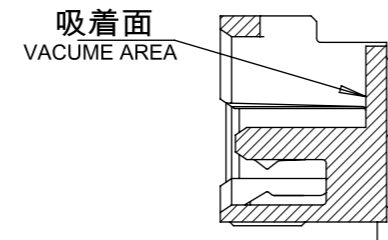
SECTION Y-Y



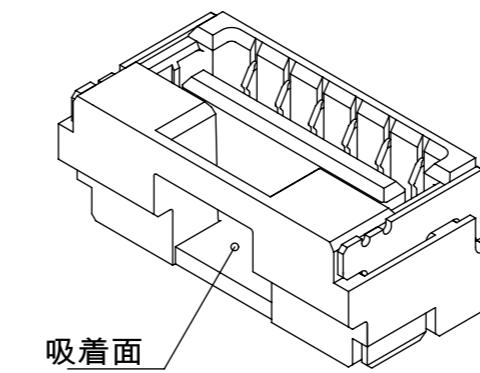
CASE OF 2-7CIRCUIT



吸着範囲
VACUME RANGE



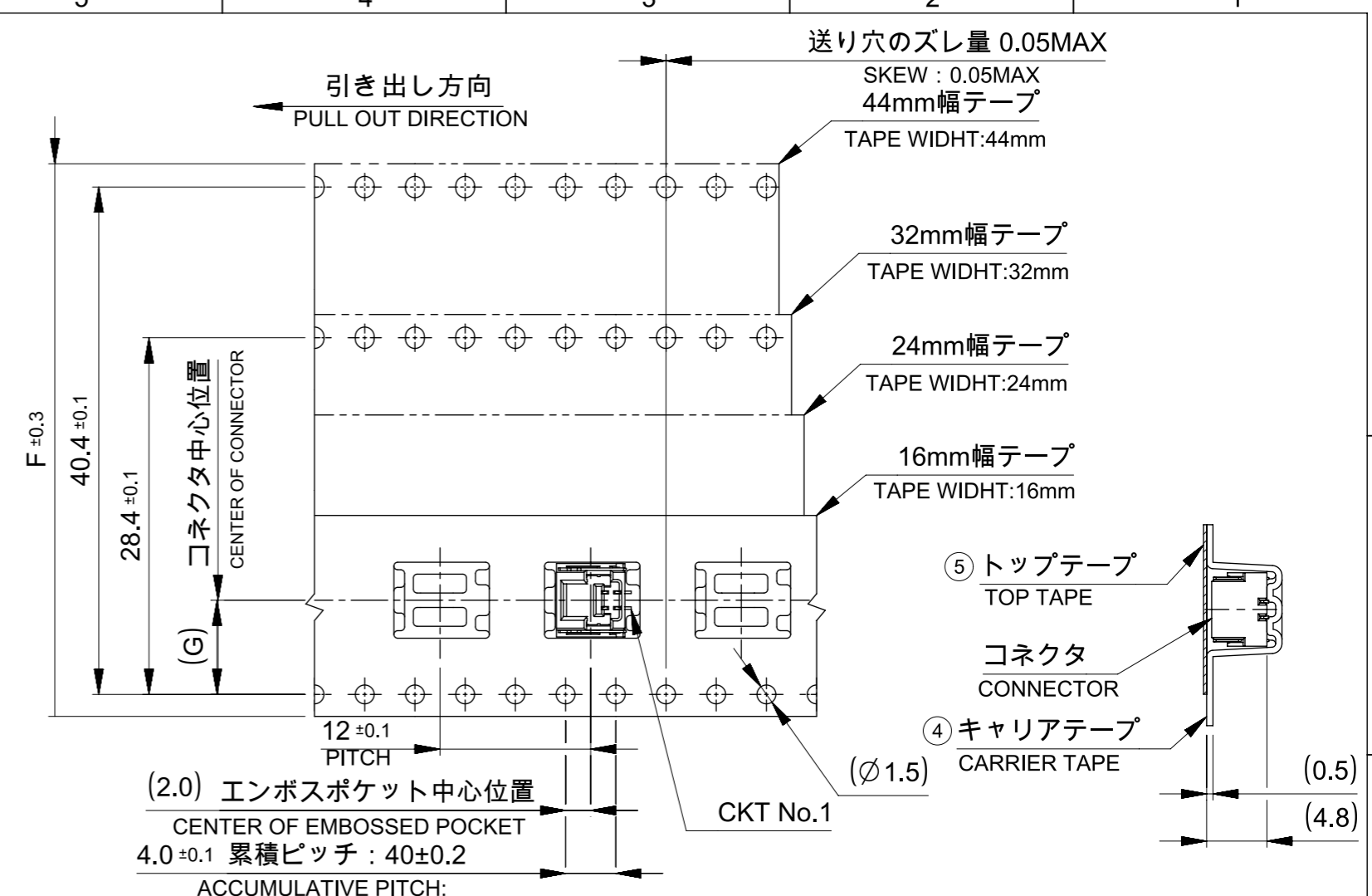
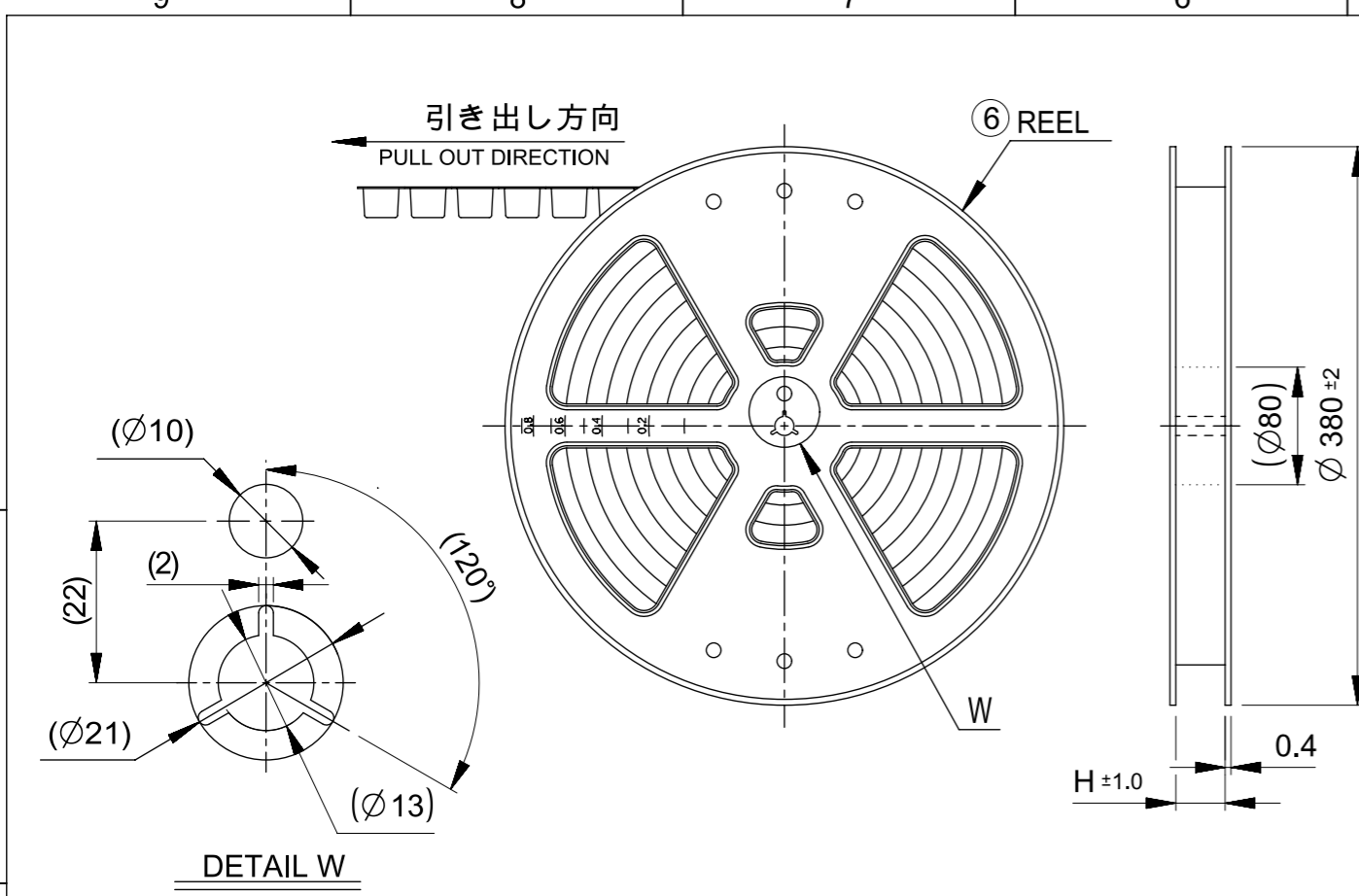
SECTION X-X



| | |
|-------|--------------------|
| 11.15 | 15 |
| 9.9 | 14 |
| 8.65 | 13 |
| 7.4 | 12 |
| 6.15 | 11 |
| 4.9 | 10 |
| 3.65 | 9 |
| 2.4 | 8 |
| 3.4 | 7 |
| | 6 |
| | 5 |
| | 4 |
| 2.7 | 3 |
| 2.3 | 2 |
| E | 極数 CIRCUIT SIZE |

THIS DRAWING CONTAINS INFORMATION THAT IS PROPRIETARY TO MOLEX ELECTRONIC TECHNOLOGIES, LLC AND SHOULD NOT BE USED WITHOUT WRITTEN PERMISSION

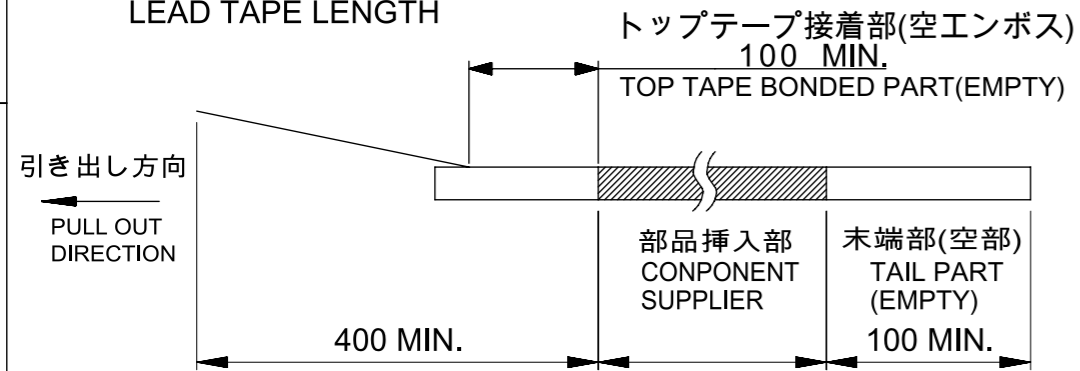
| | | | | | |
|--|------------------------|---------------------------------------|--------------------------|-----------------|----------|
| DIMENSION UNITS mm | SCALE NTS | CURRENT REV DESC: REDRAWN AND REVISED | molex | | |
| GENERAL TOLERANCES (UNLESS SPECIFIED) | | EC NO: 604371 | | | |
| ANGULAR TOL | ± 3.0 ° | DRWN: AISHIKAWA 2018/09/11 | PRODUCT CUSTOMER DRAWING | | |
| 4 PLACES | ± 0.2 | CHK'D: AIDA 2018/09/14 | DOCUMENT NUMBER | | |
| 3 PLACES | ± 0.2 | APPR: TKANEKO 2018/09/14 | 5023820000-SD | | |
| 2 PLACES | ± 0.2 | INITIAL REVISION: | DOC TYPE | DOC PART | REVISION |
| 1 PLACE | ± 0.2 | DRWN: AISHIKAWA 2018/09/11 | PSD | 001 | A |
| 0 PLACES | ± 0.2 | APPR: TKANEKO 2018/09/14 | SHEET NUMBER | | |
| DRAFT WHERE APPLICABLE MUST REMAIN WITHIN DIMENSIONS | THIRD ANGLE PROJECTION | DRAWING | SERIES | MATERIAL NUMBER | CUSTOMER |
| | | A3-SIZE | 502382 | SEE SHEET 4 | GENERAL |



NOTES

12. 梱包数量 : 1400個/リール
NUMBER OF CONNECTORS : 1400 PIECES/REEL

13. リードテープ長さ
LEAD TAPE LENGTH



14. トップテープの剥離強度はIEC60286-3に準拠。
TOP TAPE PEELING FORCE IS DEFINED BY IEC60286-3.

15. 本ドキュメントは、SD-502382-004,-005,-006を統合したものです。
形状に関する変更はありません。
THIS DOCUMENT IS A COMBINATION OF SD-502382-004,-005,-006.
THERE IS NO CHANGE ON THE SHAPE.

| | | | | |
|------|------|------------------------------------|---|--------------------|
| 45.5 | 20.2 | 44 ± 0.3 | 502382 1571 | 15 |
| | | | 1471 | 14 |
| 33.5 | 14.2 | 32 ± 0.3 | 1371 | 13 |
| | | | 1271 | 12 |
| | | | 1171 | 11 |
| | | | 1071 | 10 |
| | | | 0971 | 9 |
| 25.5 | 11.5 | 24 ^{+0.3} _{-0.1} | 0871 | 8 |
| | | | 0771 | 7 |
| | | | 0671 | 6 |
| | | | 0571 | 5 |
| | | | 0471 | 4 |
| 17.5 | 7.5 | 16 ^{+0.3} _{-0.1} | 0371 | 3 |
| | | | 502382 0271 | 2 |
| H | G | エンボステープ幅 F WIDTH OF TAPE | 発注番号 ORDER No. PACKAGE : EMBOSSED REEL | 極数 CIRCUIT SIZE |

| 番号 NO. | 部品 PART | 材質 MATERIAL |
|-----------|-------------------------|--|
| ④ | キャリアテープ CARRIER TAPE | ポリスチレン(PS)、その他 POLYSTYRENE(PS), etc |
| ⑤ | トップテープ TOP TAPE | ポリエチレン(PE)、その他 POLYETHYLENE(PE), etc |
| ⑥ | リール REEL | ポリスチレン(PS) <リサイクル材を含む> POLYSTYRENE(PS) <RECYCLE MATERIAL CONTAINED> |

THIS DRAWING CONTAINS INFORMATION THAT IS PROPRIETARY TO MOLEX ELECTRONIC TECHNOLOGIES, LLC AND SHOULD NOT BE USED WITHOUT WRITTEN PERMISSION

| | | | | | |
|--|---------|---------------------------------------|--|----------|----------|
| DIMENSION UNITS | SCALE | CURRENT REV DESC: REDRAWN AND REVISED | molex | | |
| mm | NTS | | | | |
| GENERAL TOLERANCES (UNLESS SPECIFIED) | | | CLIK-MATE 1.25 SINGLE ROW S/T TYPE GOLD PLATING | | |
| ANGULAR TOL | ± 3.0 ° | | | | |
| 4 PLACES | ± 0.2 | EC NO: 604371 | PRODUCT CUSTOMER DRAWING | | |
| 3 PLACES | ± 0.2 | DRWN: AISHIKAWA 2018/09/11 | | | |
| 2 PLACES | ± 0.2 | CHK'D: AIDA 2018/09/14 | DOCUMENT NUMBER | | |
| 1 PLACE | ± 0.2 | APPR: TKANEKO 2018/09/14 | | | |
| 0 PLACES | ± 0.2 | INITIAL REVISION: | 5023820000-SD | | |
| | | DRWN: AISHIKAWA 2018/09/11 | | | |
| DRAFT WHERE APPLICABLE MUST REMAIN WITHIN DIMENSIONS | | | DOC TYPE | DOC PART | REVISION |
| THIRD ANGLE PROJECTION | | | PSD | 001 | A |
| DRAWING | | | SHEET NUMBER | | |
| A3-SIZE | | | 4 OF 4 | | |
| SERIES | | | MATERIAL NUMBER | | |
| 502382 | | | SEE SHEET 4 | | |
| CUSTOMER | | | GENERAL | | |

10 9 8 7 6 5 4 3 2 1

F

E

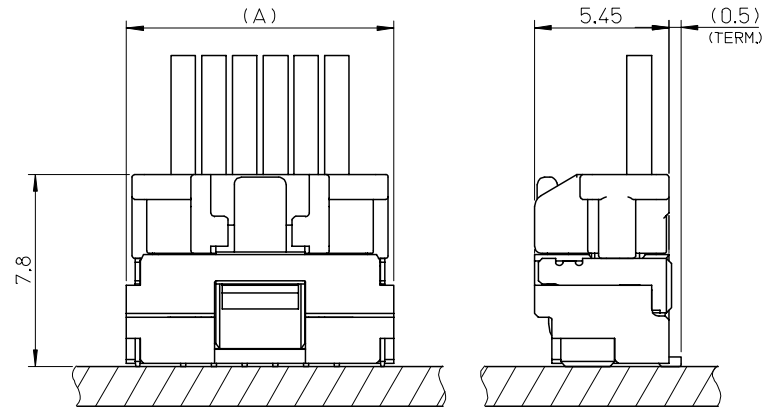
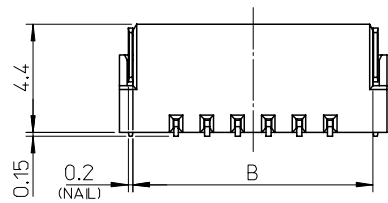
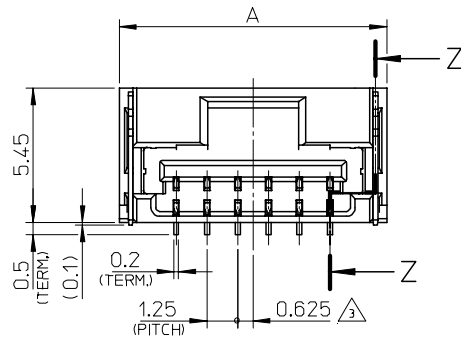
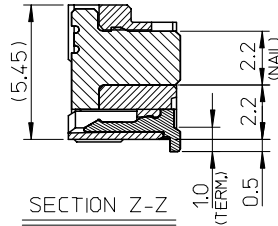
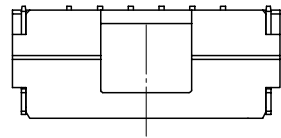
D

C

B

A

ib_frame_A3_J_ME_S
Rev. E 2006/04/15



嵌合図
MATED CONNECTORS

NOTES

- 嵌合相手: 502380-****
MATE WITH: 502380-****
- 端子テール部 及び ネイルの平坦度: 0.1MAX.
TAIL AND NAIL COPLANARITY TO BE 0.1 MAX.
- △ 極数/2=偶数に適用。
APPLY FOR CKT. SIZE / 2 = EVEN.
- ネイルに錫めっきを使用しているため、
外観に摺動痕が付く場合がございます。
THE WOUND OF FRICTION MIGHT ADHERE TO EXTERNALS
BECAUSE THE TIN PLATING IS USED FOR THE NAIL.
- 本製品のプラスチック部に黒点等が確認される場合や
色合いが異なる場合がありますが、製品性能に影響はありません。
THERE IS NO INFLUENCE IN THE PRODUCT PERFORMANCE THOUGH
THE BLACK SPOT ETC. MIGHT BE CONFIRMED TO THE PLASTIC PART
OF THIS PRODUCT AND THE SHADE MIGHT BE DIFFERENT.

| | | | | | |
|-----|------|------|-------|----------------------|----------------|
| 3.4 | 6.25 | 9.75 | 10.85 | 502382-0607 | 6 |
| 3.4 | 5 | 8.5 | 9.6 | 502382-0507 | 5 |
| 3.4 | 3.75 | 7.25 | 8.35 | 502382-0407 | 4 |
| 2.7 | 2.5 | 6 | 7.1 | 502382-0307 | 3 |
| D | C | B | A | 製品番号 MATERIAL NO. | 極数 CKT. NO. |

| 番号 NO. | 部品 PART | 材質 MATERIAL |
|-----------|-------------------|--|
| ① | ハウジング HOUSING | 耐熱性樹脂 UL94V-0 色: ナチュラル HEATPROOF RESIN UL94V-0 COLOR:NATURAL |
| ② | ターミナル TERMINAL | 銅合金 COPPER ALLOY 金めっき: 0.1 micro-meter MIN. GOLD ニッケルめっき(下地): 1.0 micro-meter MIN. NICKEL (UNDER PLATING) |
| ③ | ネイル NAIL | 銅合金 COPPER ALLOY 錫めっき: 1.0 micro-meter MIN. TIN ニッケルめっき(下地): 1.0 micro-meter MIN. NICKEL (UNDER PLATING) |

| | | | | | | | |
|--|---------------------------------------|--|----------------------------|---|--|-------------------------------|------------------------|
| RELEASED EC NO: J2007-3538 DRWN: AOYAGI 2007/10/19 CHKD: MISOGAYA 2007/10/22 APPR: NUKITA 2007/10/24 | GENERAL TOLERANCES (UNLESS SPECIFIED) | | DIMENSION STYLE MM ONLY | | SCALE 5:1 | DESIGN UNITS METRIC | THIRD ANGLE PROJECTION |
| | 10 UNDER | ±0.2 | DRAWN BY Y. AOYAGI | DATE 2007/06/28 | TITLE 1.25 W/B CONN. SINGLE S/T REC. ASS'Y 2-7CKT. | | |
| | 10 OVER 30 UNDER | ±0.25 | CHECKED BY M. ISOGAYA | DATE 2007/06/28 | MATERIAL NO. | | |
| | 30 OVER | ±0.3 | APPROVED BY N. UKITA | DATE 2007/06/28 | MATERIAL NO. | | |
| 0 | ANGULAR ±3 ° | DRAFT WHERE APPLICABLE MUST REMAIN WITHIN DIMENSIONS | | SEE TABLE | | MATERIAL NO. | |
| REV | | DESCRIPTION | | SIZE A3 | | MATERIAL NO. | |
| | | | | THIS DRAWING CONTAINS INFORMATION THAT IS PROPRIETARY TO MOLEX INCORPORATED AND SHOULD NOT BE USED WITHOUT WRITTEN PERMISSION | | DOCUMENT NO. SD-502382-004 | |
| | | | | | | SHEET NO. 1 OF 2 | |

EN-02JA(021)

10 9 8 7 6 5 4 3 2 1

F

E

D

C

B

A

F

E

D

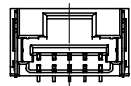
C

B

A



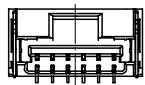
2 CKT.



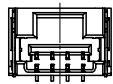
5 CKT.



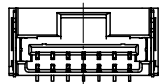
3 CKT.



6 CKT.

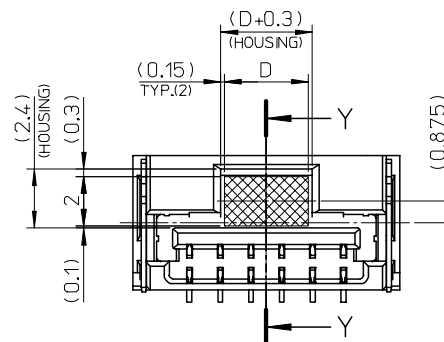


4 CKT.

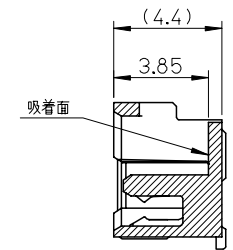


7 CKT.

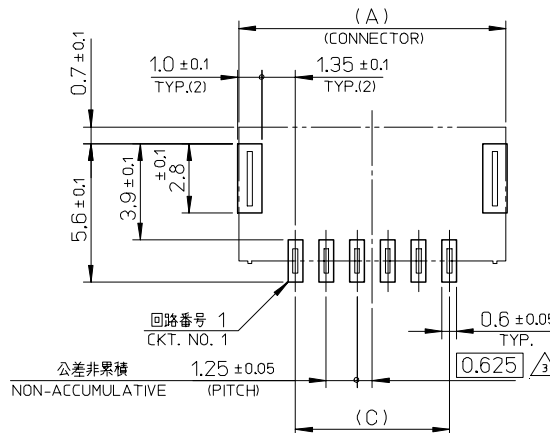
極数の種類
KIND OF CKT. NO. (FRONT VIEW)



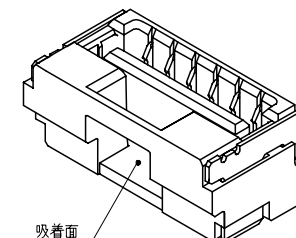
吸着範囲
VACUUM AREA



SECTION Y-Y

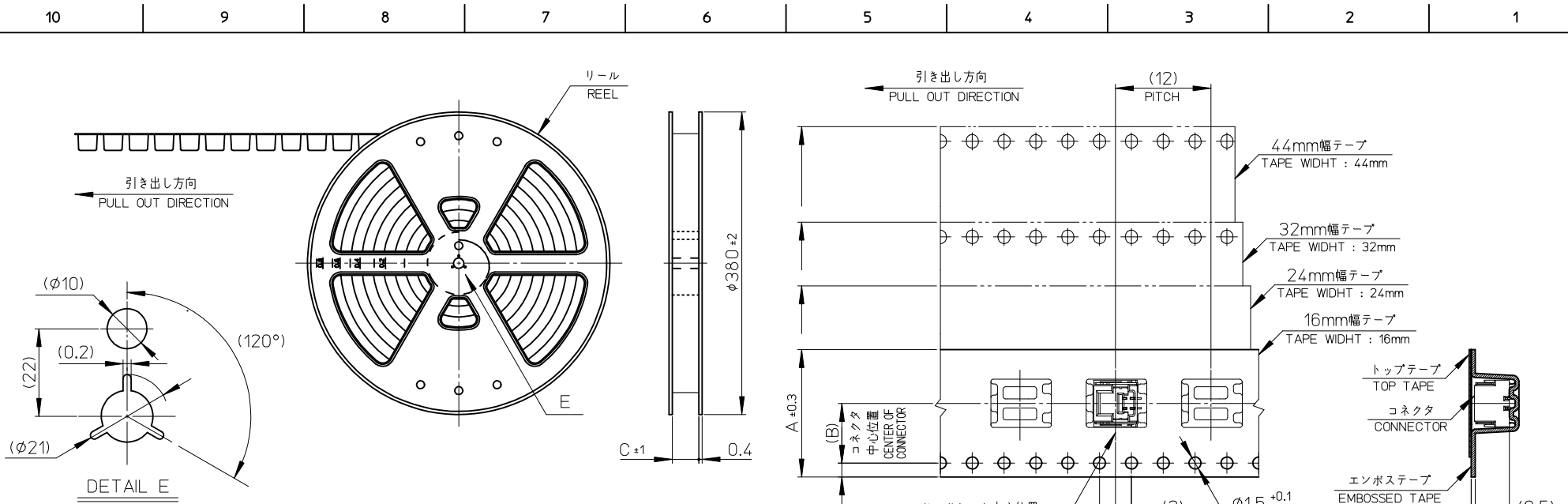


基板パターンレイアウト (参考)
RECOMMENDED P.C.B. PATTERN LAYOUT (REF.)



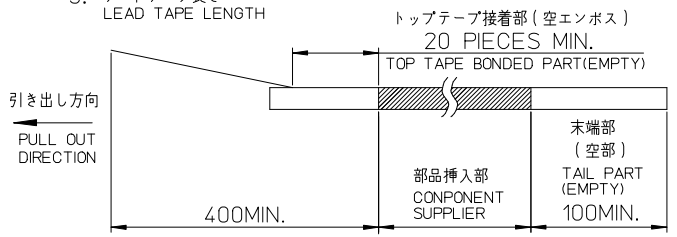
| | | | | | | | | |
|--|---------------------------------------|---|----------------------------|--------------------|--|------------------------|------------------------|--|
| RELEASED EC NO: J2007-3538 DRWN: A0YAGI 2007/10/19 CHKD: MISOGAYA 2007/10/22 APPR: NUKITA 2007/10/24 | GENERAL TOLERANCES (UNLESS SPECIFIED) | | DIMENSION STYLE MM ONLY | | SCALE 5:1 | DESIGN UNITS METRIC | THIRD ANGLE PROJECTION | |
| | 10 UNDER | ± 0.2 | DRAWN BY Y. A0YAGI | DATE 2007/06/28 | TITLE 1.25 W/B CONN. SINGLE S/T REC. ASS'Y 2-7CKT. | | | |
| | 10 OVER 30 UNDER | ± 0.25 | CHECKED BY M. ISOGAYA | DATE 2007/06/28 | APPROVED BY N. UKITA 2007/06/28 | | | |
| | 30 OVER | ± 0.3 | MATERIAL NO. | | DOCUMENT NO. | | SHEET NO. | |
| | ANGULAR | ± 3 ° | SEE SHEET 1 | | SD-502382-004 | | 2 OF 2 | |
| DRAFT WHERE APPLICABLE MUST REMAIN WITHIN DIMENSIONS | | MOLEX INCORPORATED THIS DRAWING CONTAINS INFORMATION THAT IS PROPRIETARY TO MOLEX INCORPORATED AND SHOULD NOT BE USED WITHOUT WRITTEN PERMISSION | | | | | | |

9 8 7 6 5 4 3 2 EN-02JA(021)



NOTES

- 製品詳細寸法は製品単体図面を参照して下さい。
FOR DETAIL OF CONNECTOR DIMENSIONS, PLEASE SEE THE DRAWING OF CONNECTOR ITSELF (NOT PACKAGED).
- 梱包数量 : 1400個
NUMBER OF CONNECTORS : 1400 PIECES/REEL.
- リードテープ長さ
LEAD TAPE LENGTH



- 材料
MATERIAL
キャリアテープ : ポリスチレン
CARRIER TAPE : POLYSTYRENE
トップテープ : ポリエステル, ポリエチレン, ポリエチレンテレフタレート
TOP TAPE : POLYESTER, POLYETHYLENE, POLYETHYLENE TEREPHTHALATE
リール : ポリスチレン <リサイクル材を含む>
REEL : POLYSTYRENE <RECYCLE MATERIAL CONTAINED>
- ELV AND RoHS COMPLIANT.

| | | | | | |
|------|------|-----------------------------|-------------------|----------------------|------------------------------|
| 45.5 | 20.2 | 44 | 502382-1407 | 502382-1471 | 14 |
| 33.5 | 14.2 | 32 | -1207 | -1271 | 12 |
| 33.5 | 14.2 | 32 | -1007 | -1071 | 10 |
| 25.5 | 11.5 | 24 | -0907 | -0971 | 9 |
| 25.5 | 11.5 | 24 | -0607 | -0671 | 6 |
| 25.5 | 11.5 | 24 | -0507 | -0571 | 5 |
| 25.5 | 11.5 | 24 | -0407 | -0471 | 4 |
| 17.5 | 7.5 | 16 | 502382-0307 | 502382-0371 | 3 |
| C | B | エンボステープ幅 A WIDTH OF TAPE | コネクタ CONNECTOR | 製品番号 MATERIAL NO. | モデル番号 MODEL NO. (KT. NO.) |

| | | | | | | | | | | |
|---|-------------|---------------------------------------|--|----------------------|-----------|--------------------|---------------|------------------------|---------------------|--|
| REVISED EC NO: J2009-0677 DRWN: YA0YAGI 2008/10/20 CHKD: THARUYAMA 2008/10/21 APPR: NUKITA 2008/10/21 | DESCRIPTION | GENERAL TOLERANCES (UNLESS SPECIFIED) | | DIMENSION STYLE | | SCALE | | DESIGN UNITS | | TITLE 1.25 W/B CONN. SINGLE S/T REC. EMBTP PKG |
| | | 10 UNDER ±0.2 | | MM ONLY | | --- | | METRIC | | |
| | | 10 OVER 30 UNDER ±0.25 | | DRAWN BY DATE | | TITLE | | THIRD ANGLE PROJECTION | | |
| | | 30 OVER ±0.3 | | Y. A0YAGI 2007/06/28 | | MOLEX INCORPORATED | | DOCUMENT NO. | | |
| A | REV | ANGULAR ±3 ° | DRAFT WHERE APPLICABLE MUST REMAIN WITHIN DIMENSIONS | | SEE TABLE | | SD-502382-006 | | SHEET NO. 1 OF 1 | |
| THIS DRAWING CONTAINS INFORMATION THAT IS PROPRIETARY TO MOLEX INCORPORATED AND SHOULD NOT BE USED WITHOUT WRITTEN PERMISSION | | | | | | | | | | |