

- 1
- 2
- 3
- 4
- 5
- 6
- 7
- 8
- 9
- 10
- 11
- 12
- 13
- 14
- 15
- 16
- 17
- 18

**PROFILE**

Anodised aluminium, natural colour, matte finish.

**PINS SUPPORT**

Acetal resin based (POM) technopolymer, white colour.

**PINS**

AISI 304 stainless steel.

**ROLLERS**

Polyethylene based (PE) technopolymer, grey colour.

**STANDARD EXECUTIONS**

- **GLA-2-RS**: with spherical contact rollers.
- **GLA-2-RC**: with cylindrical contact rollers.
- **GLA-2-RT**: with round contact rollers.

**FEATURES AND APPLICATIONS**

GLA-2 side guides are self-supporting structures for the side guide of products with important vertical dimensions on conveyor belts (Fig.1). Depending on the product to transport, it is recommended to use:

- GLA-2-RS: for the guide of products in cans or in plastic containers;
- GLA-2-RC: for the guide of cardboard products, for a greater fluency;
- GLA-2-RT: for the guide of glass products, in case of accidental breakage they facilitate the expulsion of debris.

Supplied assembled in bars of 3 meters length.

**SPECIAL EXECUTIONS ON REQUEST**

- Side guides with rollers in different colours.
- Side guides with pins in acetal resin based (POM) technopolymer.

**ACCESSORIES ON REQUEST**

- BDG: zinc-plated steel connecting bar for guides.
- TGL: closing cap for guides.
- PGL-2: separation block for side guide.
- MPG-P: assembly pin.
- MPG-V: zinc-plated steel hammer head screw. (see GLA-1).

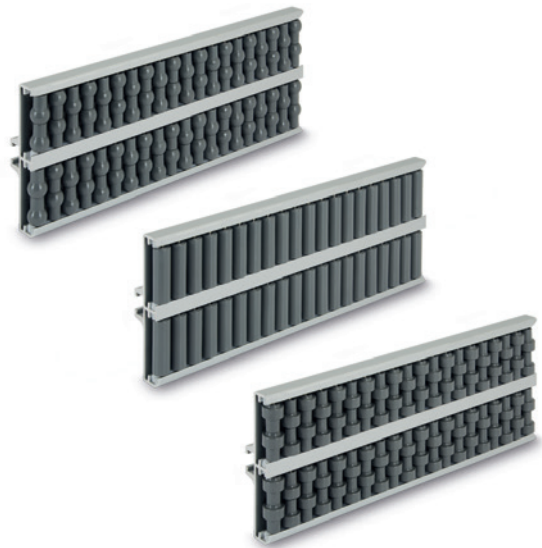
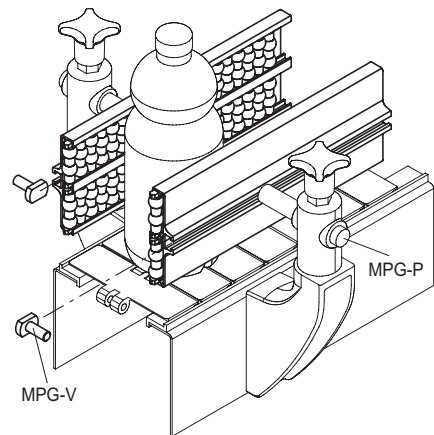


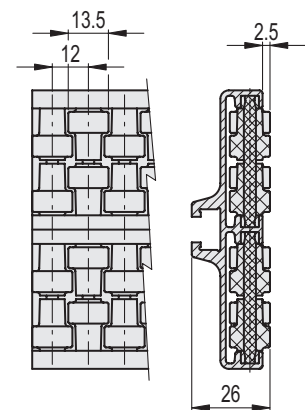
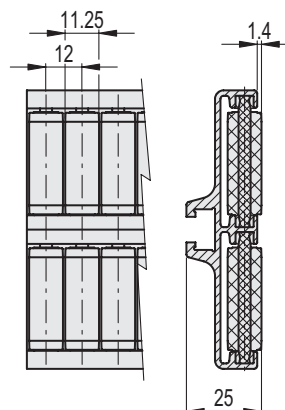
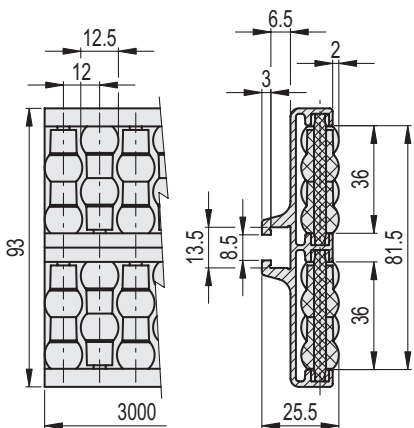
Fig.1



**GLA-2-RS**

**GLA-2-RC**

**GLA-2-RT**



**GLA-2-RS**

Code	Description	⚖️
419111	GLA-2-RS-93-3000	6600

**GLA-2-RC**

Code	Description	⚖️
419112	GLA-2-RC-93-3000	6600

**GLA-2-RT**

Code	Description	⚖️
419113	GLA-2-RT-93-3000	6600

