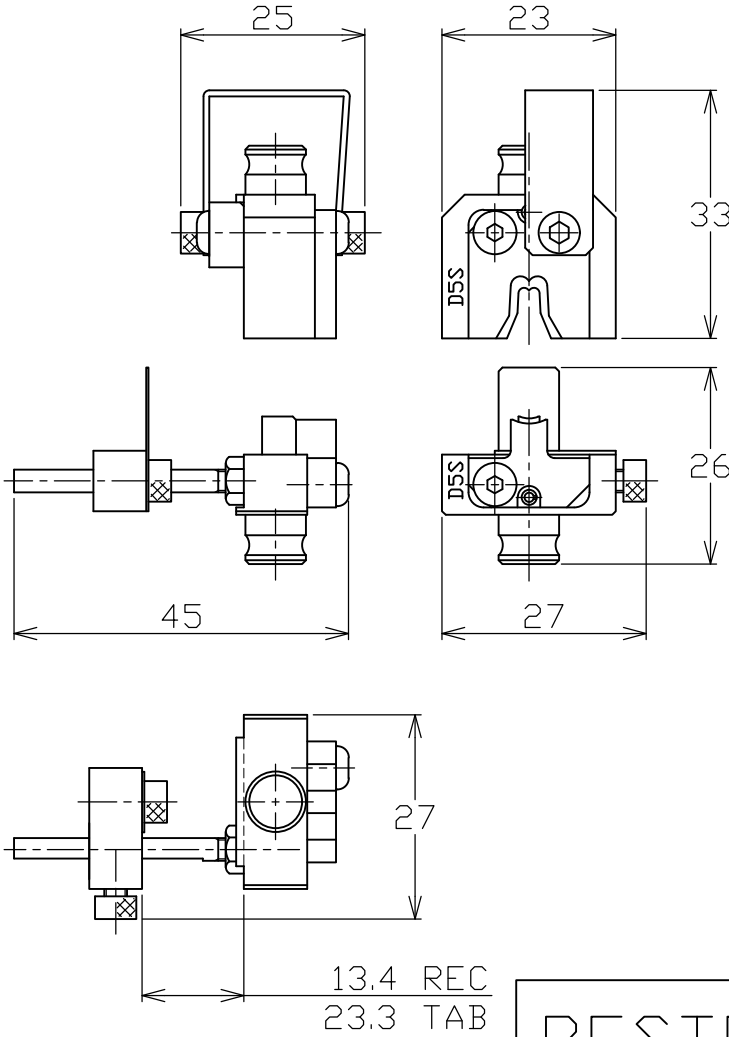


TERMINAL No.		WIRE SIZE (mm ²)	AWG#	INS. RANGE (mm)	TERMINAL CH (mm)		APPL. SPEC.
					WIRE	INS.	
316040-2		1.23-2.00	#16	ø3.0-ø3.8	1.81-2.00	3.76-4.52	114-5206
316040-3					1.81-2.23		
316040-6		2.00-2.27	#14				
917804-2							
917804-3							
917804-6							

RELEASED FOR PUBLICATION


ALL RIGHTS RESERVED.

By Tyco Electronics Japan C.K.



RESTRICT SALES TO JAPAN ONLY

PART No.	REMARKS
2155822-1	D5000-S

DIMENSIONS: mm	DWN S.NAKA 05NOV2012	MATERIAL -	FINISH -
	CHK S.NAKA 05NOV2012	 TE Connectivity Ltd.	
TOLERANCES UNLESS OTHERWISE SPECIFIED:	APVD J.KOGA 05NOV2012		
0 PLC ± -	PRODUCT SPEC -	SIZE A4	CAGE CODE 00779
1 PLC ± -	APPLICATION SPEC SEE TABLE	DRAWING NO C-2155822	RESTRICTED TO -
2 PLC ± -	WEIGHT Approx. 72g	SCALE 1:1	SHEET 1 OF 1
3 PLC ± -	CUSTOMER DRAWING	REV A1	
4 PLC ± -			
ANGLES ± -			

