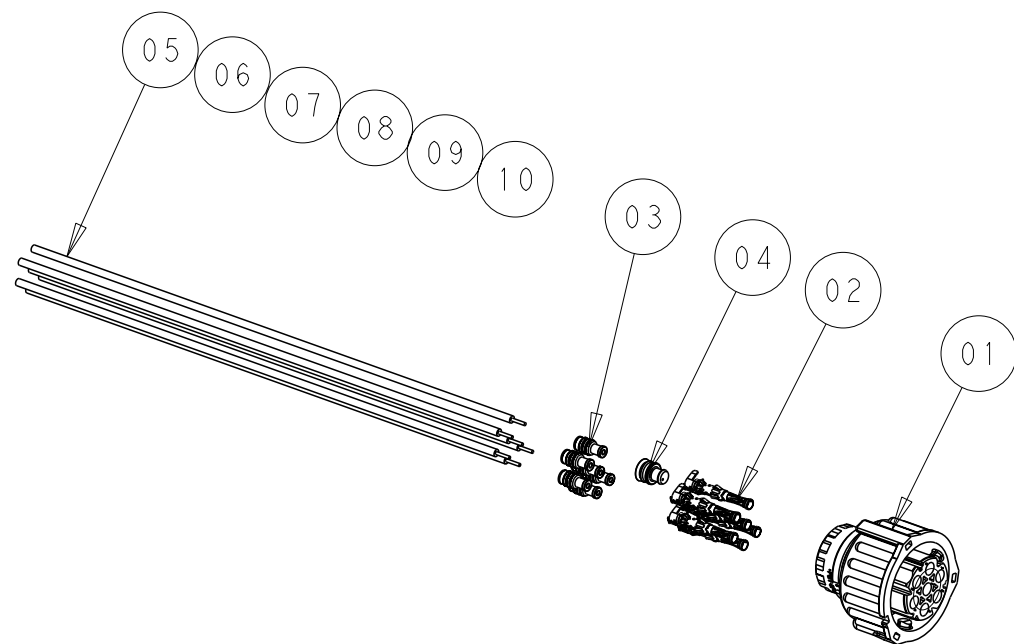


LOC
AP

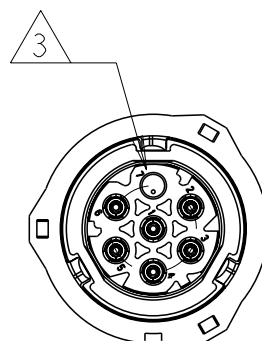
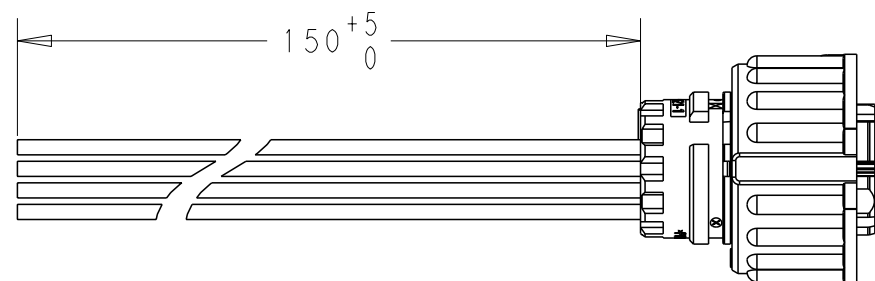
DIST
-

REVISIONS

P	LTR	DESCRIPTION	DATE	DWN	APVD
	A	RELEASED BY ECO 12-005449	20MAR2012	PP	WAO



SCALE 1:2



1 CABO AUTOMOTIVO (0,50 mm² 70° C BWF NBR 11853)
 FIO: 0,50 mm² (10 FILAMENTOS DE 0,24mm)
 TEMPERATURA: 70° C MÁX.
 RESISTÊNCIA ELÉTRICA MÁXIMA: 40,1 Ω / Km
 COR CONFORME TABELA
 ESPESSURA DE ISOLAÇÃO: 0,50mm
 TIPO DE ISOLAÇÃO: PVC 70° C ANTI-CHAMA
 DIÂMETRO DE ISOLAÇÃO: 2,00 ±0,10 mm.

AUTOMOTIVE CABLE (0,50 mm² 70° C BWF NBR 11853)
 WIRE: 0,50mm² (10 STRAND/0,24mm)
 TEMPERATURE: 70°C MÁX.
 ELECTRICAL RESISTENCE MAX.: 40,1 Ω / Km
 COLOR ACCORDING TO THE TABLE
 INSULATION THICKNESS: 0,50mm
 INSULATION: PVC 70°C FLAME RETARDANT
 INSULATION DIAMETER: 2,00 ±0,10 mm

2 ITENS FORNECIDOS PELA TE CONNECTIVITY
 ITENS SUPPLIED BY TE CONNECTIVITY

REQ. PER ASSY	ITEM	DESCRIPTION	NOTES	
	1 10	CABLE	1	
	1 9			
	1 8			
	1 7			
	1 6			
	1 5	2,5MM CAVITY PLUG FOR 5.4MM DI	2	
	6 3			SINGLE WIRE SEAL FOR J.P.T. CON
	6 2			1.5MM SOCK CONTACT
	1 1	1.5MM BU- STE KPL 7P		
	-1			
2133456				

6	GRAY / CINZA	0.5
5	RED/VERMELHO	
4	YELLOW/AMARELO	
3	BLUE/AZUL	
2	BLACK/PRETO	
1	WHITE/BRANCO	
CIRCUIT NUMBER	CABLES COLOR	CROSS SECTION (mm ²)
3		



THIS DRAWING IS A CONTROLLED DOCUMENT.

DIMENSIONS:	TOLERANCES UNLESS OTHERWISE SPECIFIED:
mm	
	0 PLC ±-
	1 PLC ±-
	2 PLC ±-
	3 PLC ±-
	4 PLC ±-
	ANGLES ±-
MATERIAL	FINISH
-	-

DWN	16DEC2011
F. CHRISTIANO	
CHK	16DEC2011
J. GOLDSCHMIDT	
APVD	16DEC2011
W. OLIVEIRA	
PRODUCT SPEC	
APPLICATION SPEC	
WEIGHT	
CUSTOMER DRAWING	

STE TE Connectivity	
NAME CABLE ASSY 1,5 MM PIN HSG FEMALE	
SIZE	CAGE CODE
A3	00779
DRAWING NO	RESTRICTED TO
©-2133456	-
SCALE	SHEET
1:1	1 OF 1
REV	A