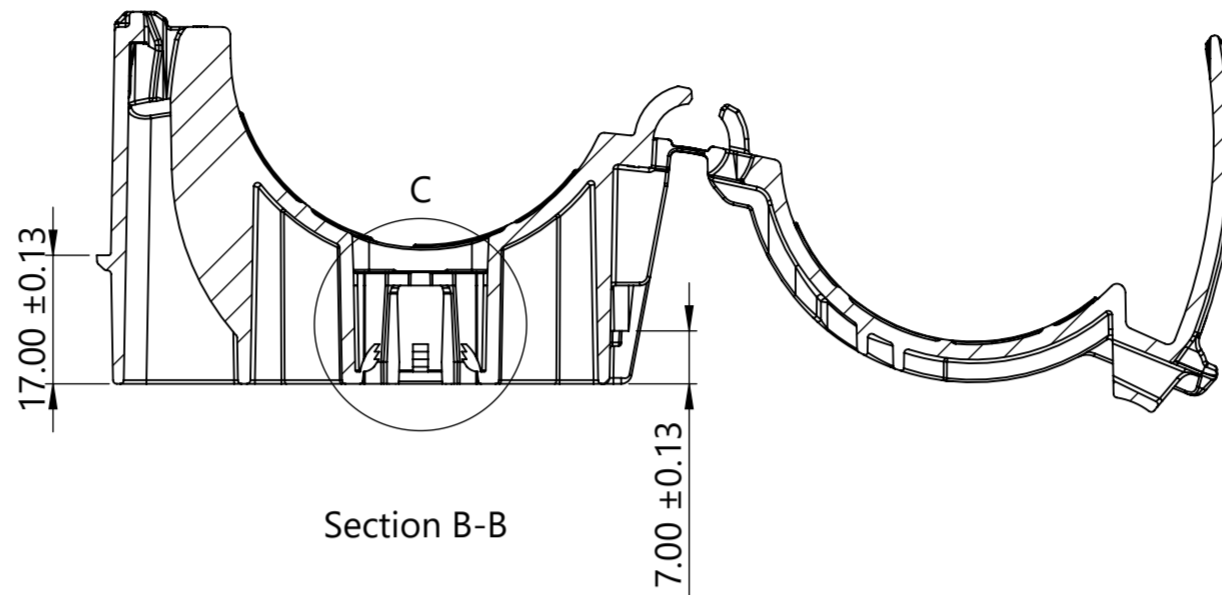
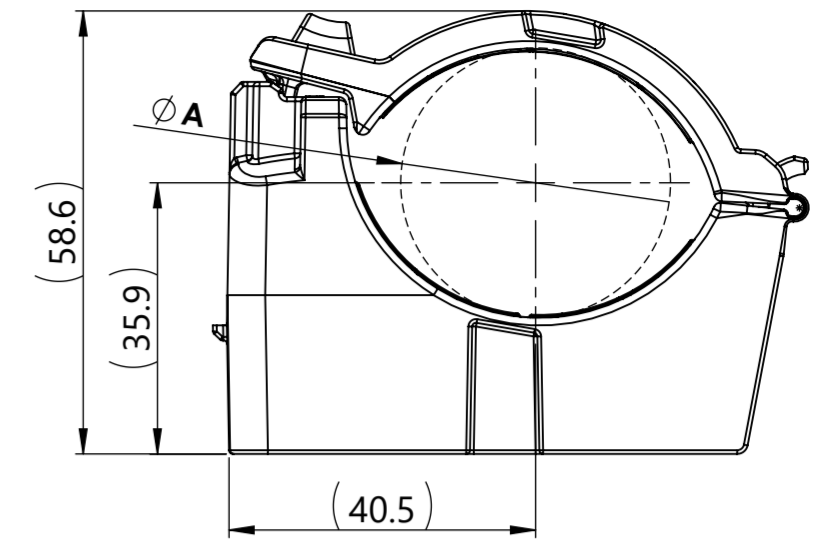


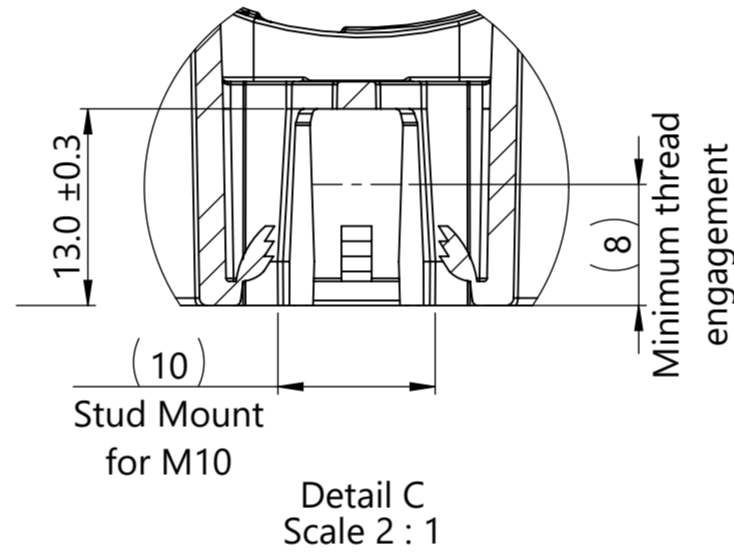
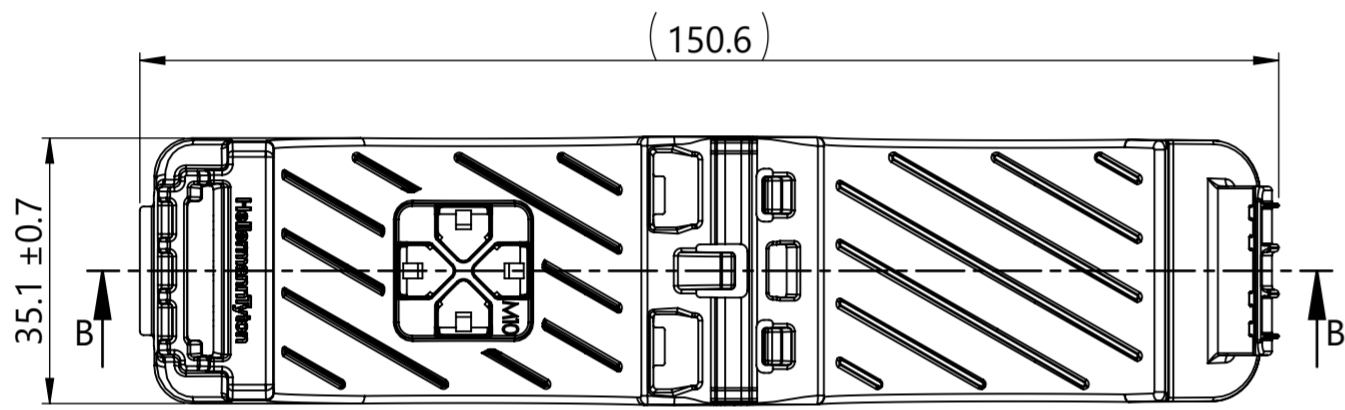
Isometric View  
Product shipped in clamp open position



Section B-B

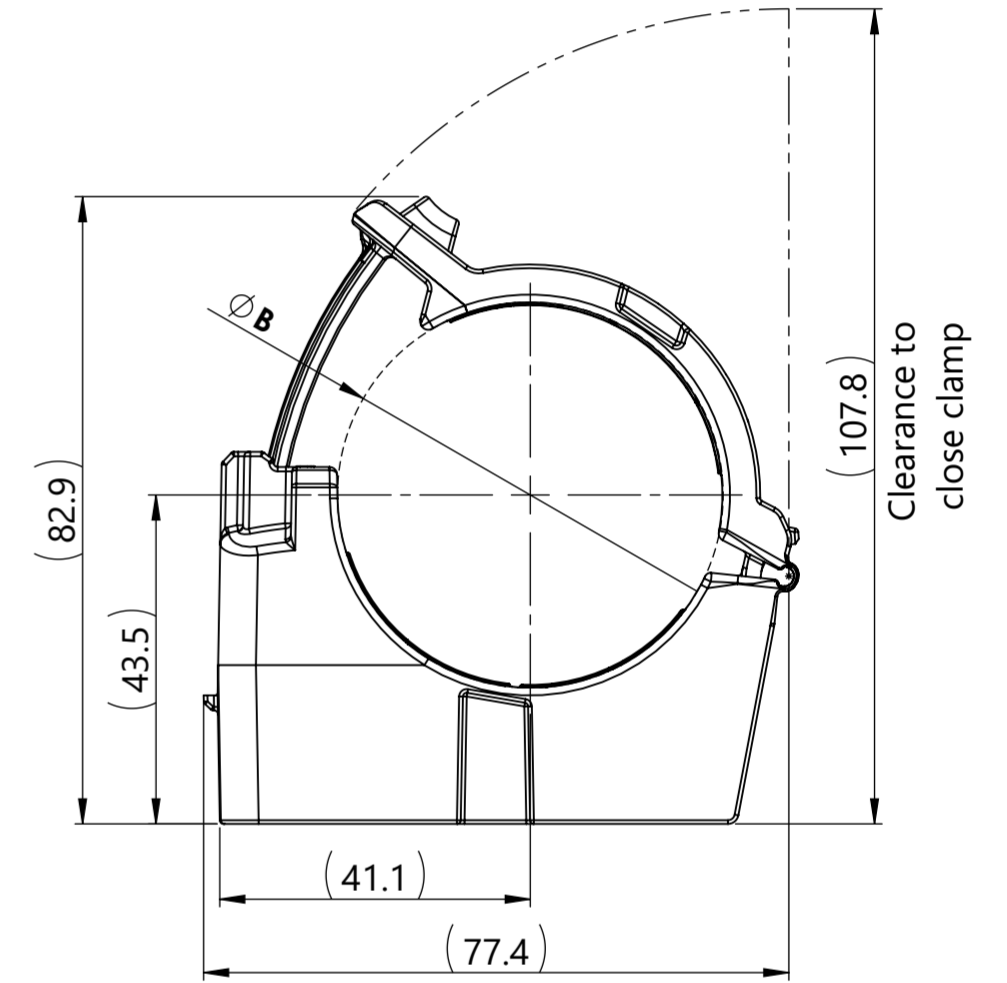


Minimum Bundle Diameter

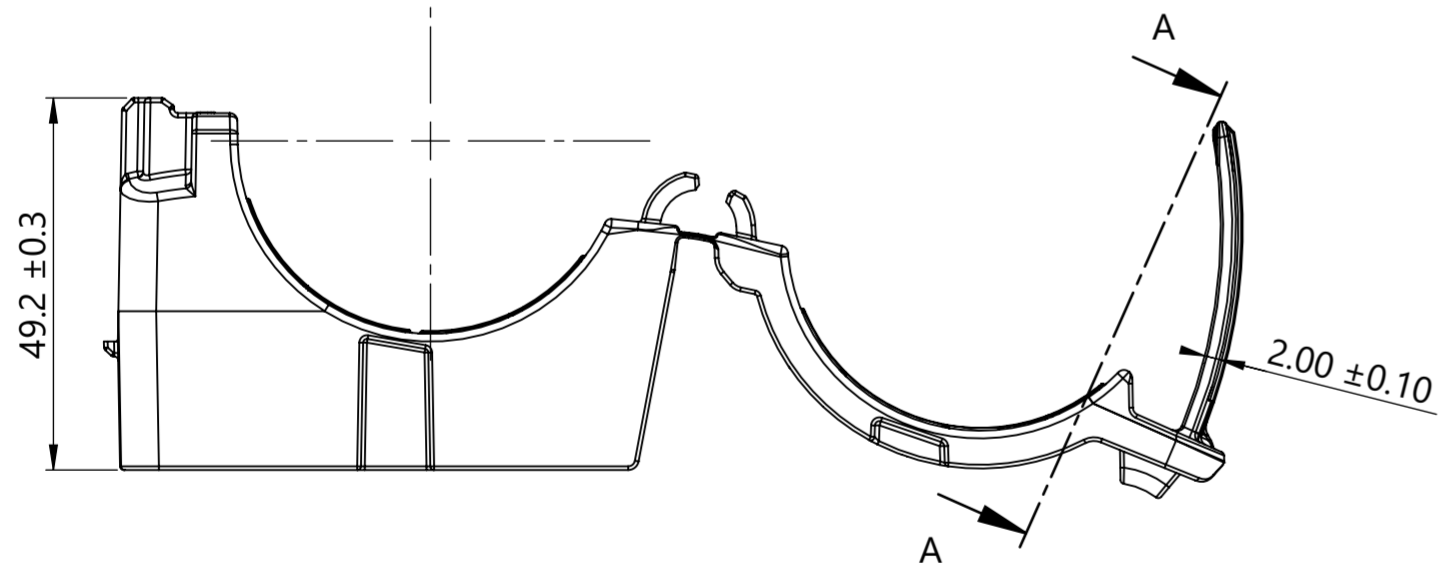


Stud Mount  
for M10

Detail C  
Scale 2 : 1

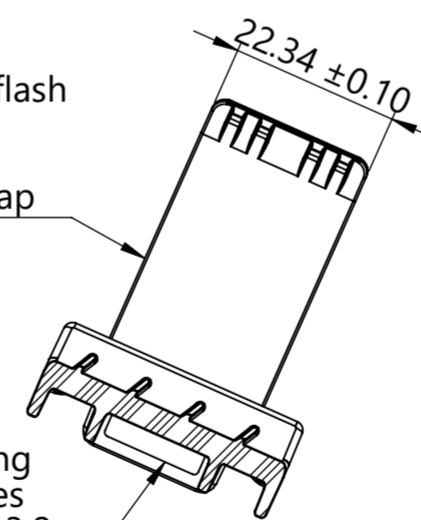


Maximum Bundle Diameter



0.10 Maximum flash  
or mismatch  
allowed around  
perimeter of strap

Saddle opening  
accommodates  
Straps up to 13.2  
wide and 2.1 thick



Section A-A

**Performance requirements:**

Dry as molded with  $\leq 0.5\%$  moisture content:

- ITS-0001 Ratchet Clamp Split Mandrel Test:  
445 newtons [100 lbf] minimum at a nominal  
bundle diameter of 44.45 [1.750in]
- ITS-0006 Push On and Pull Off Stud Mount  
Push on force: 45 newtons [10 lbf] maximum  
Pull off force: 222 newtons [50 lbf] minimum

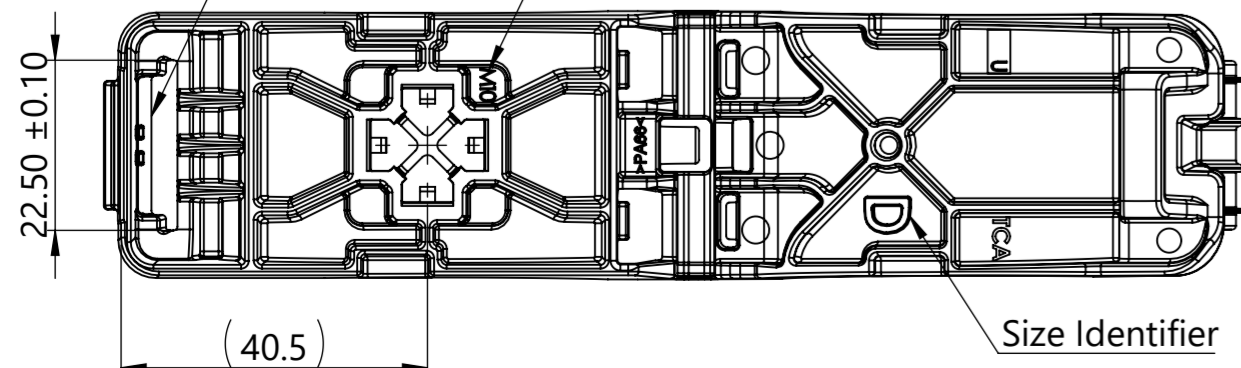
**Notes:**

- Material: See chart
- Material color: See chart
- Maximum percent regrind permissible: 25%
- Maximum allowable flash to be: 0.50 "Unless otherwise noted"
- Maximum allowable mismatch to be: 0.15 "Unless otherwise noted"

Bundle Types	A Minimum Diameter	B Maximum Diameter
Soft	36.0 $\pm 0.3$	51.0 $\pm 0.3$
Hard	35.2 $\pm 0.3$	49.9 $\pm 0.3$

0.10 Maximum flash  
or mismatch  
allowed inside head

Mount size identifier



Size Identifier

Global Part Number	Global Part Description	Mounting Stud Size	Type Number	Material	Color
21-0248	CMRCDMM10-PA66HIRHSUV-BK	M10	CMRCDMM10	PA66HIRHSUV	Black

Revision level			Revision Record		
Drawing	State	Part	ECN 016829		
00.0	Design Release	-			
Changed	Date (YYYY/MM/DD)				
Spangler	2022/01/18				
Approved	Date (YYYY/MM/DD)				
Toll	2022/01/18				

The copyright of this drawing is reserved by HellermannTyton.

Drawn: Spangler, Date: 2021/04/28  
Approved: Toll, Date: 2021/04/28  
Units: mm  
**HellermannTyton**  
www.HellermannTyton.com

Title: CMRCDMM10  
Center Mount RCD Ratchet P-Clamp, Size D, Clamp Range 36.0 to 51.0, M10 Stud Mount  
Scale: 1:1  
Global Project Number: 21-0248  
Drawing-No: 21-0248-004-CSU  
Format: A2  
Sheet: 1/1